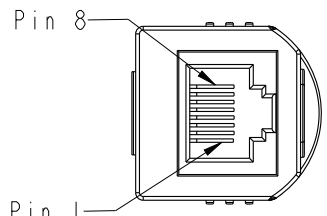
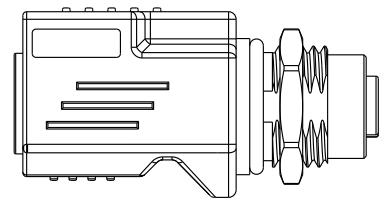
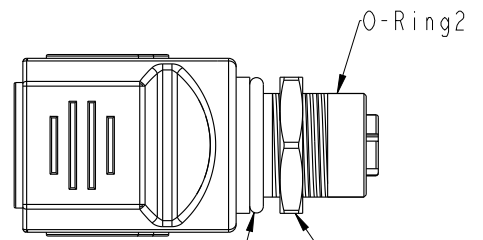


REV.	ECN NO.	DATE	SIGN	DESCRIPTION
B	C221175	2022-08-03	JC Chen	$\triangle B \times 3$

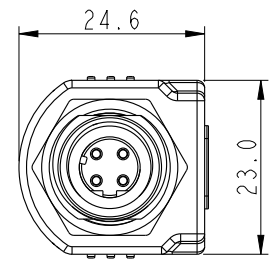
THIS DOCUMENT IS SUBJECT TO CHANGE WITHOUT NOTICE. IT IS CONFIDENTIAL AND A PROPERTY OF Amphenol LTW. DISCLOSURE TO THIRD PARTY HAS TO BE AUTHORIZED BY Amphenol LTW.



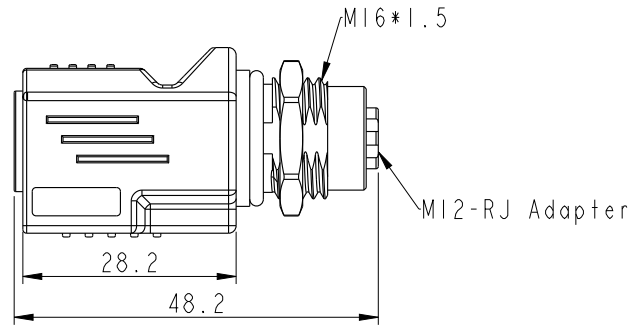
RJ45 Conn.



O-Ring1 O-Ring2

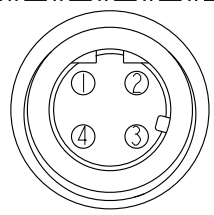


M12 Conn.



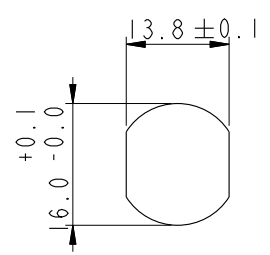
M16*1.5

M12-RJ Adapter

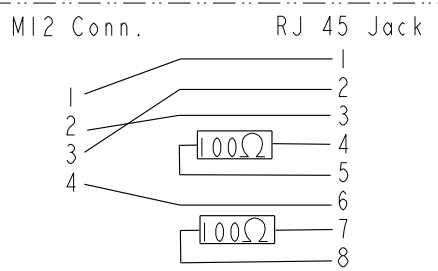


Pin Assignments Front View

- Note:
- * $\text{\textcircled{O}}$ Important Dimension
 - * Waterproof Rate: IP65(MOLDING)
 - * Waterproof Rate: IP68(M12) (Under Water 1M 24 hours)
 - * Pin: Copper Alloy, Gold Plated
 - * Nut: Zinc Alloy, Nickel Plated
 - * $\triangle B$ Shield: Zinc Alloy, Nickel Plated
 - * O-Ring1: Silicone, UL94V-0, Gray.
 - * O-Ring2: Silicone, UL94V-0, Gray.
 - * Jack: PBT, Black.
 - * Housing: Nylon+GF, Black.
 - * Panel Thickness Max: 5.0mm



M12 Recommended Panel Cut-Out



Circuit Diagram

UNIT:mm	$\text{\textcircled{O}}$	$\text{\textcircled{O}}$
TOLERANCE	$\pm 0.5\text{mm}$	

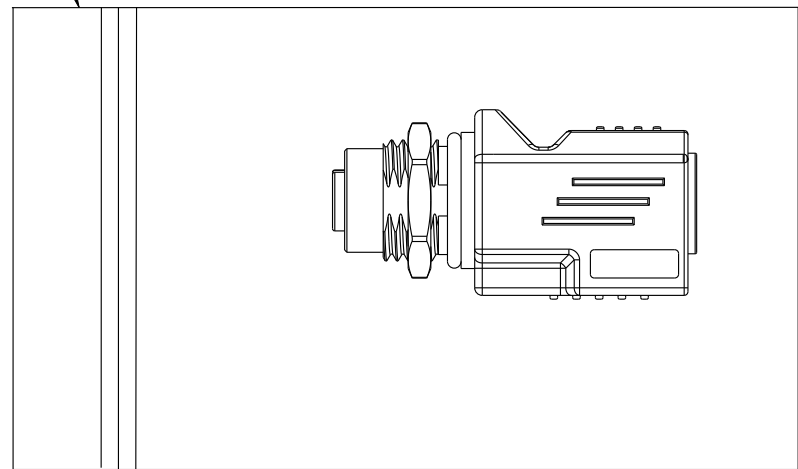
TITLE ACC, SEN, D Code, M12 TO RJ FF, 44		
SCALE 1:1	SIZE A4	SHEET 1 OF 2
REV. B	WC-REV. A.2	$\text{\textcircled{O}}$: Inspection item

Amphenol LTW
安費諾亮泰企業股份有限公司

ITEM NO RJS-12D04FF-LS8002	DRAWN BY Tony_leng	DATE 2014-06-09
DWG NO RJS-12D04FF-LS8002	CHECKED BY Jimmy	DATE 2014-06-09
CUSTOMER ALTW	APPROVED BY Ja-anne	DATE 2014-06-09

THIS DOCUMENT IS SUBJECT TO CHANGE WITHOUT NOTICE. IT IS CONFIDENTIAL AND A PROPERTY OF Amphenol LTW. DISCLOSURE TO THIRD PARTY HAS TO BE AUTHORIZED BY Amphenol LTW.

Zipper Bag



* 1 Product With 1 Zipper Bag

A	UNIT:mm			TITLE ACC, SEN, D Code, M12 TO RJ FF, 44		ITEM NO RJS-12D04FF-LS8002		DRAWN BY Tony_leng		DATE 2014-06-09			
	TOLERANCE ±0.5mm			SCALE 1:1	SIZE A4	SHEET 2 OF 2		DWG NO RJS-12D04FF-LS8002		CHECKED BY Jimmy		DATE 2014-06-09	
				REV. B	WC-REV. A.2	: Inspection item		CUSTOMER ALTW		APPROVED BY Jo-anne		DATE 2014-06-09	

Amphenol LTW
安費諾亮泰企業股份有限公司