

2-1609091-6 ✓ ACTIVE

Corcom | Corcom BCF

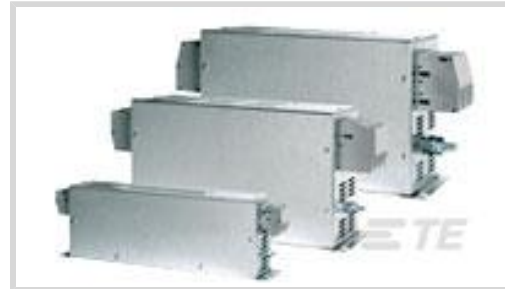
TE Internal #: 2-1609091-6

3-Phase Filters, 16A Current Rating, Threaded Bolt Input, Threaded Bolt Output, DELTA (3 wire + ground), Operating Voltage 480 VAC, Corcom BCF

[View on TE.com >](#)



EMI & EMC Solutions > EMI Filters > Power Line Filters > 3-Phase Filters > 3 Phase Filters, Corcom BCF Series



Current Rating: 16 A

Input Termination Type: Threaded Bolt

Output Termination Type: Threaded Bolt

Wiring Configuration: DELTA (3 wire + ground)

Operating Voltage: 480 VAC

[All 3 Phase Filters, Corcom BCF Series \(36\)](#)

## Features

### Product Type Features

Filtering Requirements	Filtered
Input Termination Type	Threaded Bolt
Output Termination Type	Threaded Bolt

### Configuration Features

Wiring Configuration	DELTA (3 wire + ground)
----------------------	-------------------------

### Electrical Characteristics

Leakage Current (Max) (250VAC, 50Hz)	259 mA
Current Rating	16 A
Operating Voltage	480 VAC

### Mechanical Attachment

Product Mount Type	Chassis
--------------------	---------

### Usage Conditions

Operating Temperature Range	-10 - 50 °C
-----------------------------	-------------

## Product Compliance

[For compliance documentation, visit the product page on TE.com>](#)

EU RoHS Directive 2011/65/EU	Compliant
EU ELV Directive 2000/53/EC	Compliant with Exemptions
China RoHS 2 Directive MIIT Order No 32, 2016	No Restricted Materials Above Threshold
EU REACH Regulation (EC) No. 1907/2006	Current ECHA Candidate List: JAN 2024 (240) Candidate List Declared Against: JAN 2022 (223) Does not contain REACH SVHC
Halogen Content	Low Halogen - Br, Cl, F, I < 900 ppm per homogenous material. Also BFR/CFR/PVC Free
Solder Process Capability	Not applicable for solder process capability

#### Product Compliance Disclaimer

This information is provided based on reasonable inquiry of our suppliers and represents our current actual knowledge based on the information they provided. This information is subject to change. The part numbers that TE has identified as EU RoHS compliant have a maximum concentration of 0.1% by weight in homogenous materials for lead, hexavalent chromium, mercury, PBB, PBDE, DBP, BBP, DEHP, DIBP, and 0.01% for cadmium, or qualify for an exemption to these limits as defined in the Annexes of Directive 2011/65/EU (RoHS2). Finished electrical and electronic equipment products will be CE marked as required by Directive 2011/65/EU. Components may not be CE marked. Additionally, the part numbers that TE has identified as EU ELV compliant have a maximum concentration of 0.1% by weight in homogenous materials for lead, hexavalent chromium, and mercury, and 0.01% for cadmium, or qualify for an exemption to these limits as defined in the Annexes of Directive 2000/53/EC (ELV). Regarding the REACH Regulation, the information TE provides on SVHC in articles for this part number is based on the latest European Chemicals Agency (ECHA) 'Guidance on requirements for substances in articles' posted at this URL: <https://echa.europa.eu/guidance-documents/guidance-on-reach>

## Compatible Parts

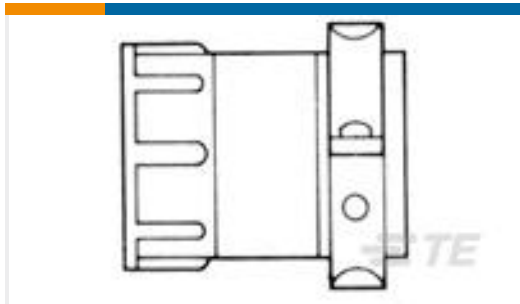


## Also in the Series | Corcom BCF



3-Phase Filters(36)

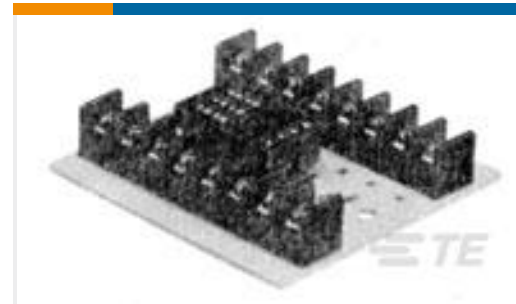
## Customers Also Bought



TE Part # 206512-5  
CLAMP,CABLE SHELL,SIZE 23



TE Part # 3-1393159-6  
20C250=SPRING,HOLD-DOWN,R10,.0



TE Part # 1393837-1  
27E460=SOCKET,R10,2POLE,TRACK-MNT,SCREW



TE Part # 7-1393769-3  
R10S-E1Y2-J1.0K=R10

## Documents

### Product Drawings

[16BCF6=F8233B](#)

English

### Datasheets & Catalog Pages

[1654001\\_CORCOM\\_PRODUCT\\_GUIDE](#)

English

### Corcom Combined Selector Charts

English