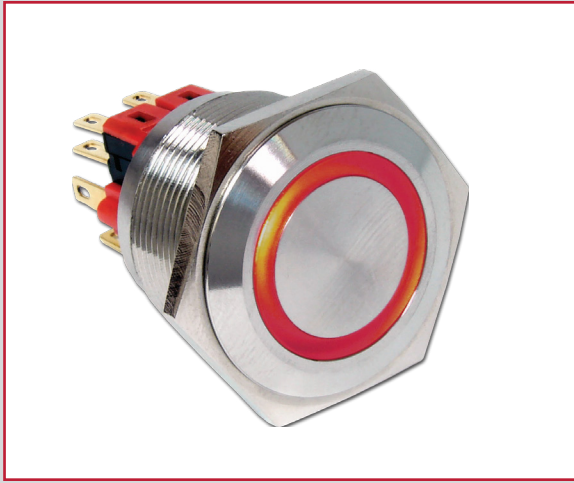


# PV8 SERIES ANTI-VANDAL SWITCH

ANTI-VANDAL SWITCHES  
DETECTOR SWITCHES  
DIP SWITCHES  
KEYLOCK SWITCHES  
NAVIGATION SWITCHES  
PUSHBUTTON SWITCHES  
ROCKER SWITCHES  
ROTARY SWITCHES  
SLIDE SWITCHES  
SNAP ACTION SWITCHES  
TACTILE SWITCHES  
TOGGLE SWITCHES  
CAP OPTIONS



## APPLICATIONS / MARKETS



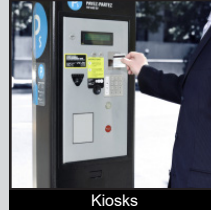
Audio / Visual



Security Devices



Industrial Controls



Kiosks



Electrical Housewares



Medical Equipment

## SPECIFICATIONS

**Electrical Rating:** 2A, 48VDC  
**Electrical Life:** 50,000 Cycles  
**Contact Resistance:** 50mΩ Max.  
**Insulation Resistance:** 1000 MΩ Min. @ 500VDC  
**Dielectric Strength:** 2,000VAC  
**Operating/Storage Temperature:** -20°C to 55°C  
**Travel:** 2.80mm  
**Moisture Protection:** IP65  
**Contact Arrangement:** SPDT& DPDT  
**Actuation Force:** 6.5 N  
**Panel Thickness:** 1-10mm for Momentary  
 1-12mm for Maintained  
**Mounting Nut Torque:** 5-14Nm

## FEATURES & BENEFITS

- 25mm diameter panel cutout
- LED color options
- Dot, ring or power symbol illumination available
- Multiple function options
- IP65 rated
- SPDT & DPDT arrangements
- Soldered wire leads (300mm long) optional

## PART NUMBER CONFIGURATOR

Series	Actuator Options	Terminal Options	Function Options	Rating Options	Body Finish Options	Actuator Finish Options	Lens Style Options	LED-Color Options	Illumination Voltage Options	Graphic (Optional)
<input type="text" value="PV8"/>	<input type="text" value="F - Flat"/>	<input type="text" value="2 - Solder&lt;br/&gt;W - Wire Leads&lt;br/&gt;300mm long"/>	<input type="text" value="T - 1 Pole&lt;br/&gt;1P Off-On +&lt;br/&gt;1P On-Off&lt;br/&gt;Y - 1 Pole&lt;br/&gt;1P Off-(On) +&lt;br/&gt;1P On-(Off)&lt;br/&gt;U - 2 Pole&lt;br/&gt;2P Off-On +&lt;br/&gt;2P On-Off&lt;br/&gt;V - 2 Pole&lt;br/&gt;2P Off-(On) +&lt;br/&gt;2P On-(Off)"/>	<input type="text" value="0 - 2A,&lt;br/&gt;48VDC"/>	<input type="text" value="1 - Black&lt;br/&gt;Anodized&lt;br/&gt;N - Nickel&lt;br/&gt;Plated&lt;br/&gt;S - Stainless&lt;br/&gt;Steel"/>	<input type="text" value="1 - Black&lt;br/&gt;Anodized&lt;br/&gt;N - Nickel&lt;br/&gt;Plated&lt;br/&gt;S - Stainless&lt;br/&gt;Steel"/>	<input type="text" value="NONE - Non-&lt;br/&gt;Illuminated&lt;br/&gt;2 - Dot&lt;br/&gt;Illumination&lt;br/&gt;3 - Ring&lt;br/&gt;Illumination"/>	<input type="text" value="NONE - Non-&lt;br/&gt;Illuminated&lt;br/&gt;0 - White&lt;br/&gt;1 - Red&lt;br/&gt;2 - Orange&lt;br/&gt;3 - Green&lt;br/&gt;4 - Blue&lt;br/&gt;5 - Yellow"/>	<input type="text" value="NONE - Non-&lt;br/&gt;Illuminated&lt;br/&gt;1 - Base Voltage&lt;br/&gt;3 - 6V&lt;br/&gt;4 - 12V&lt;br/&gt;5 - 24V&lt;br/&gt;6 - 125V&lt;br/&gt;7 - 250V"/>	<input type="text" value="M11 - Power&lt;br/&gt;symbol laser&lt;br/&gt;etched&lt;br/&gt;M14 - Power&lt;br/&gt;symbol / Ring&lt;br/&gt;Illumination"/>

NOTES:  
 \*( ) denotes function is momentary

Specifications subject to change without notice 3.15.2022



E-SWITCH®

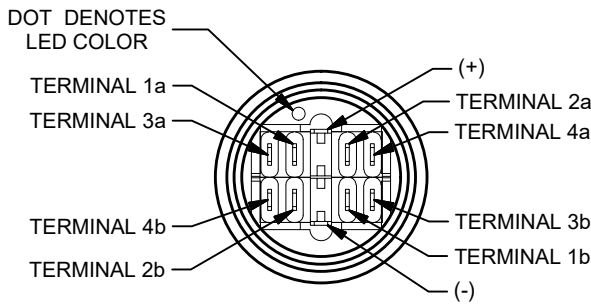
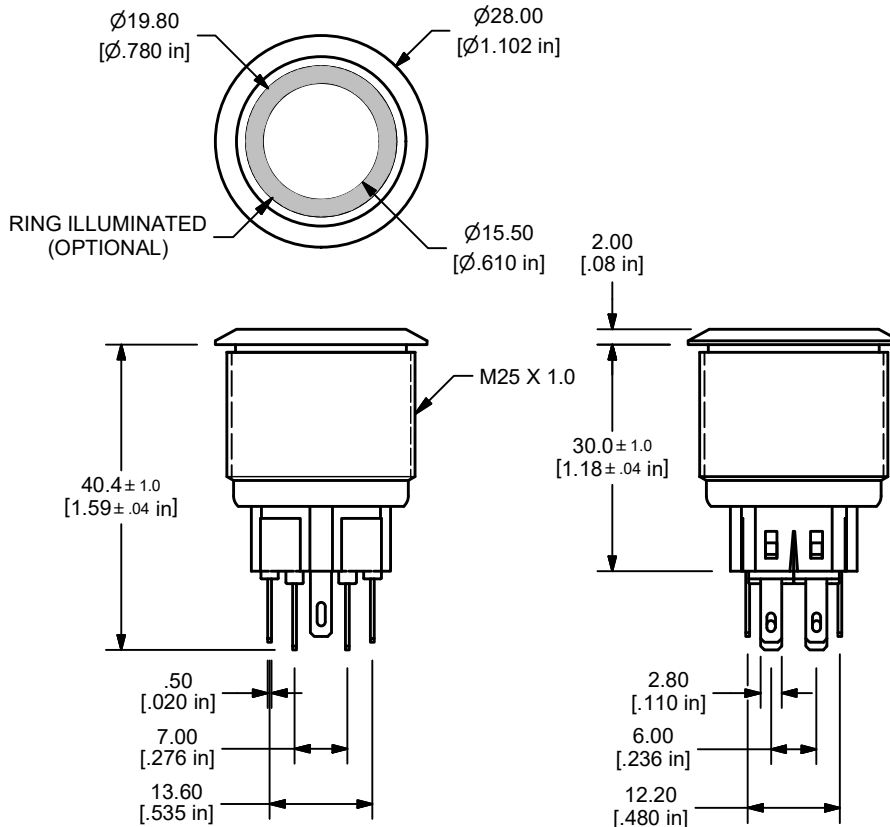
www.e-switch.com

800.867.2717

1

# PV8 SERIES ANTI-VANDAL SWITCH

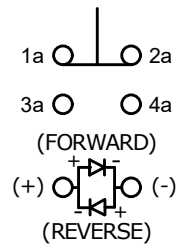
## STANDARD LED FUNCTIONS T & U



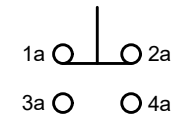
SPDT - FUNCTION T  
TERMINALS 1a - 4a

DPDT - FUNCTION U  
TERMINALS 1a - 4a AND  
1b - 4b (AS SHOWN)

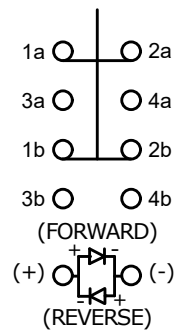
TERMINALS (-) AND (+)  
USED WITH ILLUMINATED  
OPTION ONLY



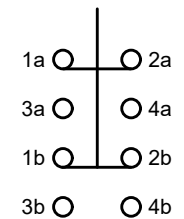
**SPDT LED SCHEMATIC**



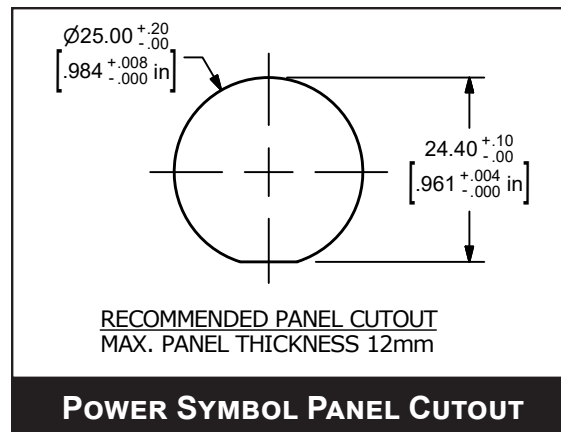
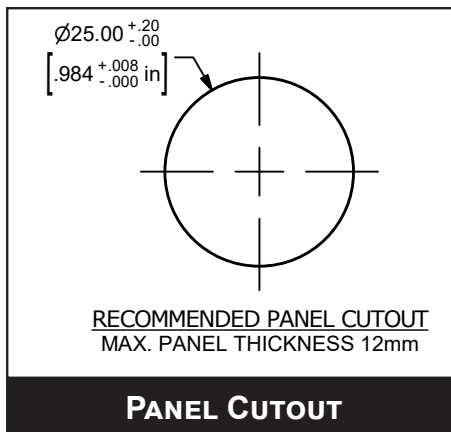
**SPDT Non ILL SCHEMATIC**



**DPDT LED SCHEMATIC**



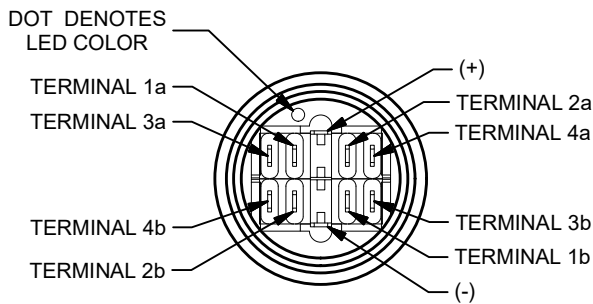
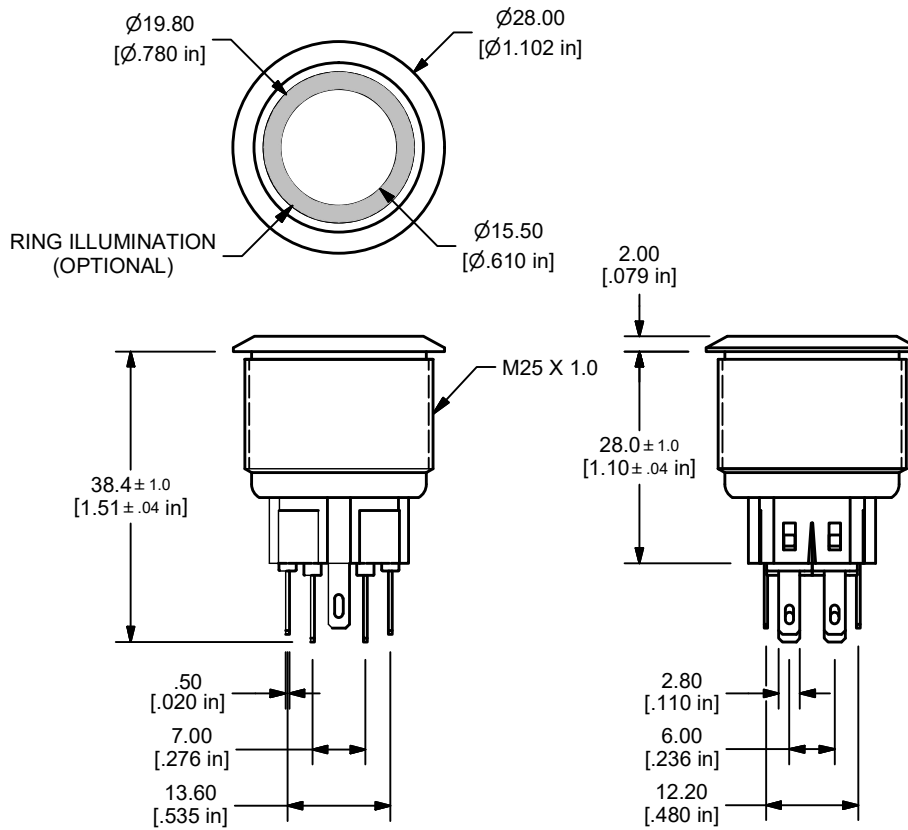
**DPDT Non ILL SCHEMATIC**



ANTI-VANDAL SWITCHES  
DETECTOR SWITCHES  
DIP SWITCHES  
KEYLOCK SWITCHES  
NAVIGATION SWITCHES  
PUSHBUTTON SWITCHES  
ROCKER SWITCHES  
ROTARY SWITCHES  
SLIDE SWITCHES  
SNAP ACTION SWITCHES  
TACTILE SWITCHES  
TOGGLE SWITCHES  
CAP OPTIONS

# PV8 SERIES ANTI-VANDAL SWITCH

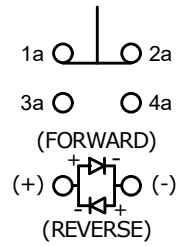
## STANDARD LED FUNCTIONS Y & V



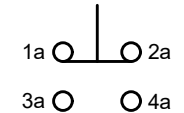
SPDT - FUNCTION Y  
TERMINALS 1a - 4a

DPDT - FUNCTION V  
TERMINALS 1a - 4a AND  
1b - 4b (AS SHOWN)

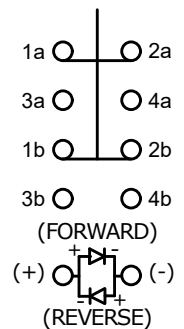
TERMINALS (-) AND (+)  
USED WITH ILLUMINATED  
OPTION ONLY



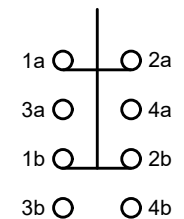
**SPDT LED SCHEMATIC**



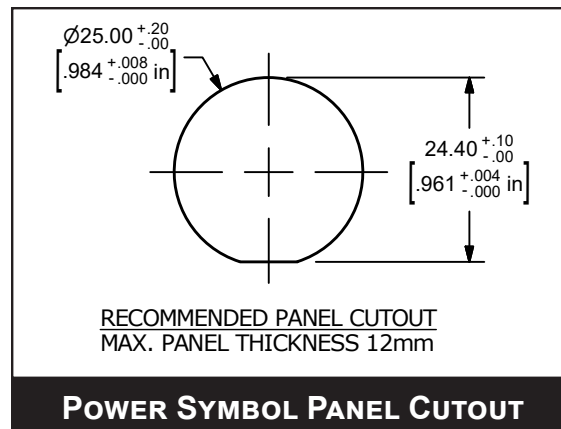
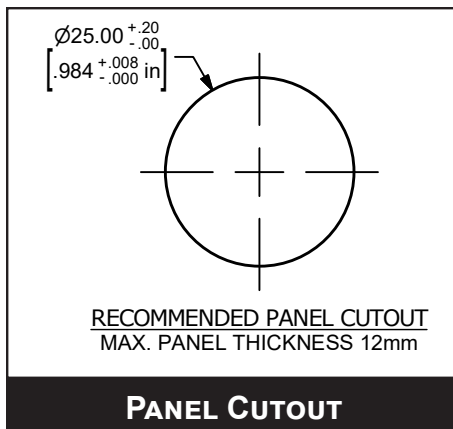
**SPDT Non ILL SCHEMATIC**



**DPDT LED SCHEMATIC**

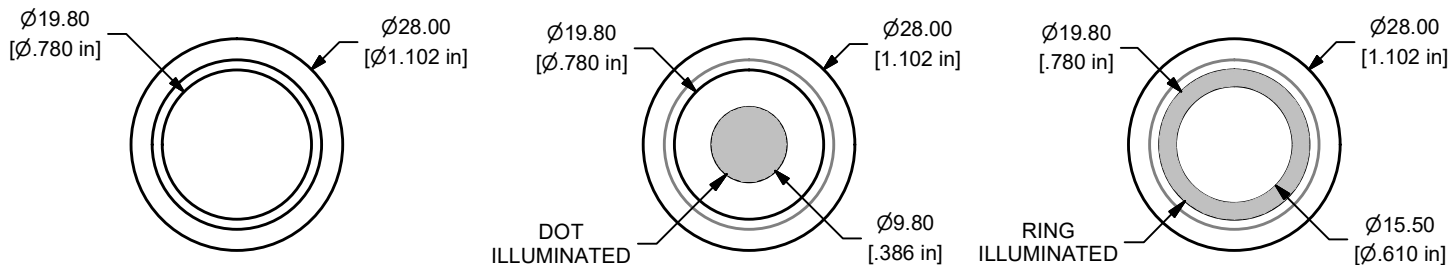


**DPDT Non ILL SCHEMATIC**



# PV8 SERIES ANTI-VANDAL SWITCH

## ACTUATOR OPTIONS

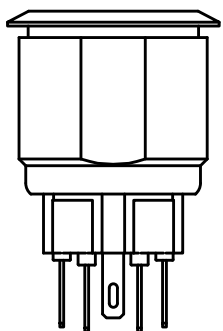
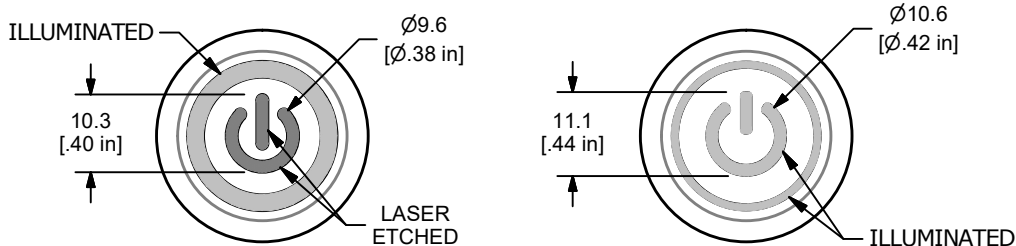


**FLAT NON-ILLUMINATED**

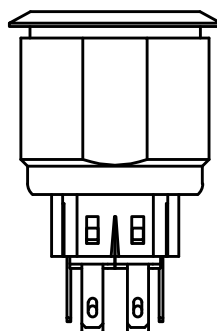
**FLAT DOT ILLUMINATED**

**FLAT RING ILLUMINATED**

## GRAPHIC OPTIONS



**M11**



**M14**



# PV8 SERIES ANTI-VANDAL SWITCH

## STANDARD LED WIRE LEAD

SWITCH	WIRE	LENGTH
SW1-1a	WIRE, 24AWG AWM UL1015, WHITE	300.0 [11.8 in]
SW1-2a	WIRE, 24AWG AWM UL1015, WHITE	300.0 [11.8 in]
SW1-3a	WIRE, 24AWG AWM UL1015, BLUE	300.0 [11.8 in]
SW1-4a	WIRE, 24AWG AWM UL1015, BLUE	300.0 [11.8 in]
SW1-1b	WIRE, 24AWG AWM UL1015, WHITE	300.0 [11.8 in]
SW1-2b	WIRE, 24AWG AWM UL1015, WHITE	300.0 [11.8 in]
SW1-3b	WIRE, 24AWG AWM UL1015, BLUE	300.0 [11.8 in]
SW1-4b	WIRE, 24AWG AWM UL1015, BLUE	300.0 [11.8 in]
SW1- (+)	WIRE, 24AWG AWM UL1015, RED	300.0 [11.8 in]
SW1- (-)	WIRE, 24AWG AWM UL1015, BLACK	300.0 [11.8 in]

\*\* WIRE LEADS PROVIDED ARE DEPENDANT ON THE FUNCTION AND/OR ILLUMINATION SELECTED \*\*

