

2213373-1 ✓ ACTIVE

LUMAWISE

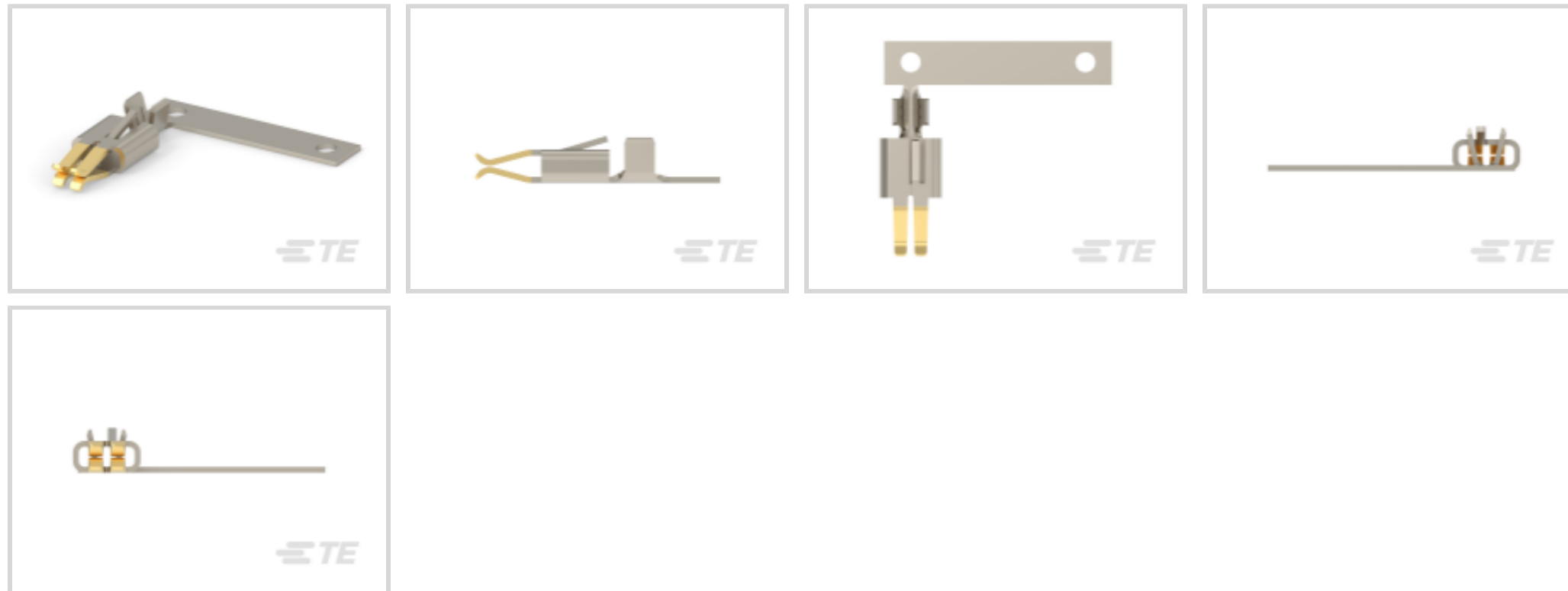
TE Internal #: 2213373-1

Socket Contact, Gold, 22 - 18 AWG Wire Size, .326 - .823 mm² Wire Size, 642 - 1624 CMA Wire Size, -40 - 221 °F [-40 - 105 °C]

[View on TE.com >](#)



Connectors > Contacts > Connector Contacts



Contact Type: **Socket**

Contact Mating Area Plating Material: **Gold**

Wire Size: **642 - 1624 CMA**

Features

Contact Features

| | |
|--------------------------------------|----------------|
| Mating Tab Width | 3 mm[.118 in] |
| Mating Tab Thickness | .4 mm[.016 in] |
| Contact Type | Socket |
| Contact Mating Area Plating Material | Gold |
| Contact Current Rating (Max) | 6 A |

Termination Features

| | |
|-----------------------|--------------|
| Product Terminates To | Wire & Cable |
|-----------------------|--------------|

Dimensions

| | |
|-----------|----------------|
| Wire Size | 642 - 1624 CMA |
|-----------|----------------|

Usage Conditions

| | |
|-----------------------------|----------------------------|
| Operating Temperature Range | -40 - 105 °C[-40 - 221 °F] |
|-----------------------------|----------------------------|

Packaging Features

| | |
|------------------|------|
| Packaging Method | Reel |
|------------------|------|

Product Compliance

[For compliance documentation, visit the product page on TE.com>](#)



| | |
|---|---|
| EU RoHS Directive 2011/65/EU | Compliant |
| EU ELV Directive 2000/53/EC | Compliant |
| China RoHS 2 Directive MIIT Order No 32, 2016 | No Restricted Materials Above Threshold |
| EU REACH Regulation (EC) No. 1907/2006 | Current ECHA Candidate List: JAN 2024 (240) Candidate List Declared Against: JAN 2024 (240) Does not contain REACH SVHC |
| Halogen Content | Low Halogen - Br, Cl, F, I < 900 ppm per homogenous material. Also BFR/CFR/PVC Free |
| Solder Process Capability | Not reviewed for solder process capability |

Product Compliance Disclaimer

This information is provided based on reasonable inquiry of our suppliers and represents our current actual knowledge based on the information they provided. This information is subject to change. The part numbers that TE has identified as EU RoHS compliant have a maximum concentration of 0.1% by weight in homogenous materials for lead, hexavalent chromium, mercury, PBB, PBDE, DBP, BBP, DEHP, DIBP, and 0.01% for cadmium, or qualify for an exemption to these limits as defined in the Annexes of Directive 2011/65/EU (RoHS2). Finished electrical and electronic equipment products will be CE marked as required by Directive 2011/65/EU. Components may not be CE marked. Additionally, the part numbers that TE has identified as EU ELV compliant have a maximum concentration of 0.1% by weight in homogenous materials for lead, hexavalent chromium, and mercury, and 0.01% for cadmium, or qualify for an exemption to these limits as defined in the Annexes of Directive 2000/53/EC (ELV). Regarding the REACH Regulation, the information TE provides on SVHC in articles for this part number is based on the latest European Chemicals Agency (ECHA) 'Guidance on requirements for substances in articles' posted at this URL: <https://echa.europa.eu/guidance-documents/guidance-on-reach>

Compatible Parts



TE Part # 2058299-1
WTB HOUSING, 2 POS, NATURAL



TE Part # 1-2058299-1
WTB HOUSING, 2 POS, BLACK



TE Part # 1-2058299-2
WTB HOUSING, 4 POS, BLACK



TE Part # 1-2058299-3
WTB HOUSING, 6 POS, BLACK



TE Part # 2058299-2
WTB HOUSING, 4 POS, NATURAL



TE Part # 2058299-3
WTB HOUSING, 6 POS, NATURAL

Customers Also Bought



TE Part # 36151
PIDG R 22-16 COMM 22-18 MIL 6



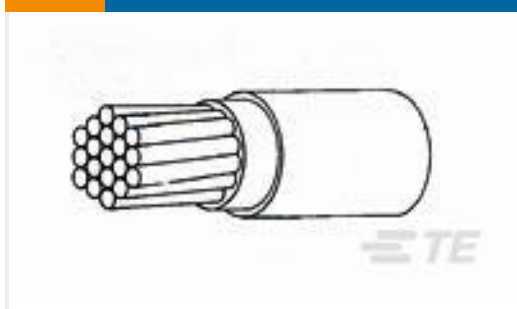
TE Part # 130014
TERM, R, PG, 22-16, M5



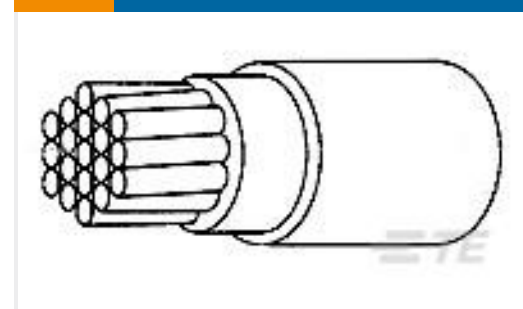
TE Part # 1-1614884-7
CPF 0805 10R 0.1% 25PPM 1K RL



TE Part # 5052944058
RNF-100-3/32-0-SP



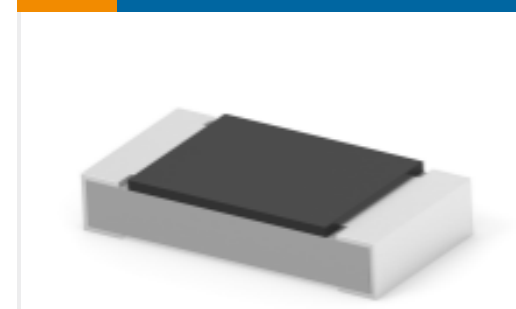
TE Part # 2820123007
44A0111-18-2



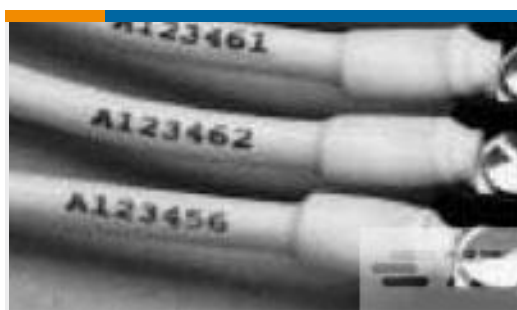
TE Part # 9242833001
99M0111-24-0



TE Part # 4-1633962-0
CRIMPER, INSULATION F PREMIUM



TE Part # 4-2176583-5
RLC73PD 2B R162 1% 1K RL



TE Part # 5052894048
RNF-100-1/16-0-SP

Documents

Product Drawings

[Socket Contact, gold plated](#)

English

Datasheets & Catalog Pages

[Hermaphroditic Connectors with Select Gold Plating Flyer](#)

[Hermaphroditic Connectors with Select Gold Plating Flyer](#)

English

Product Specifications

[Application Specification](#)

English