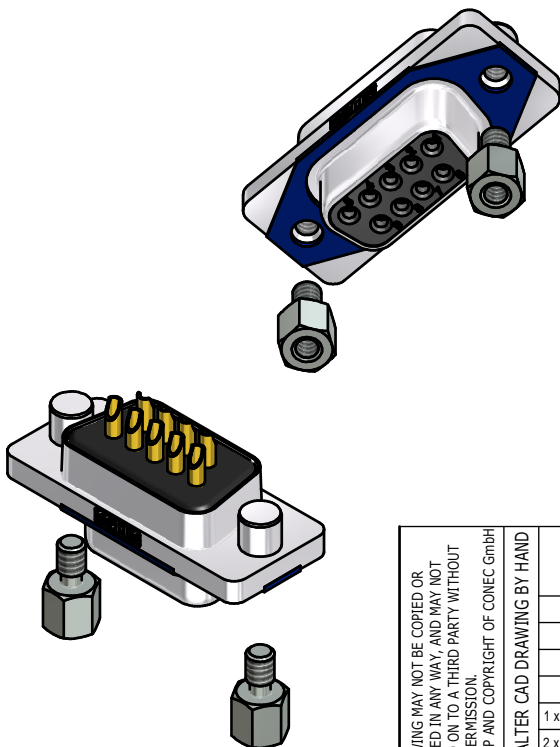
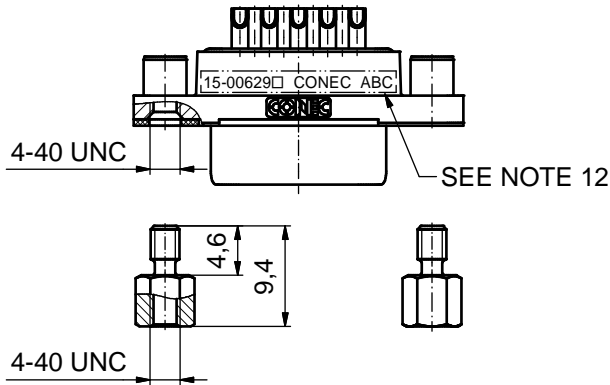
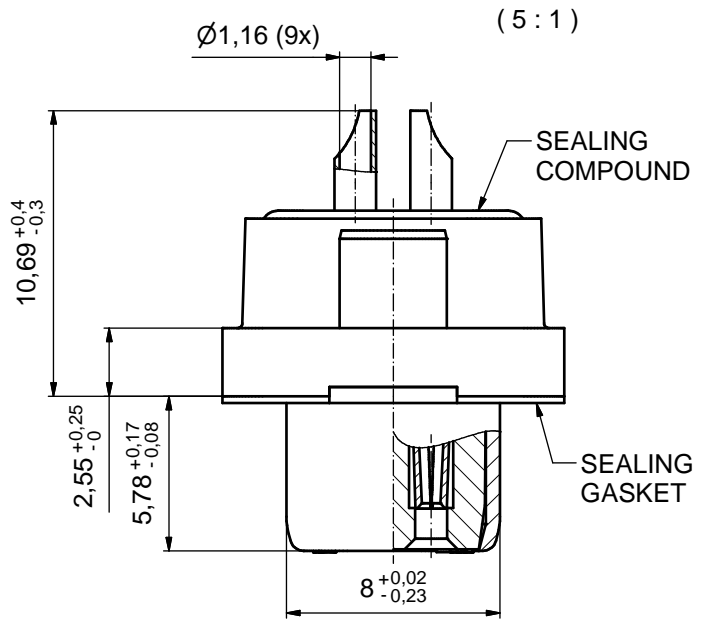
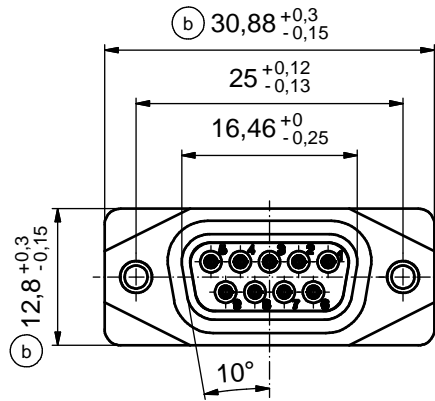


AT ALL TIMES WATER RESISTANT CONNECTORS NOT IN USE SHOULD BE COVERED WITH A CONEC WATER RESISTANT CAP OR WATER TIGHT HOOD.



NOTES:

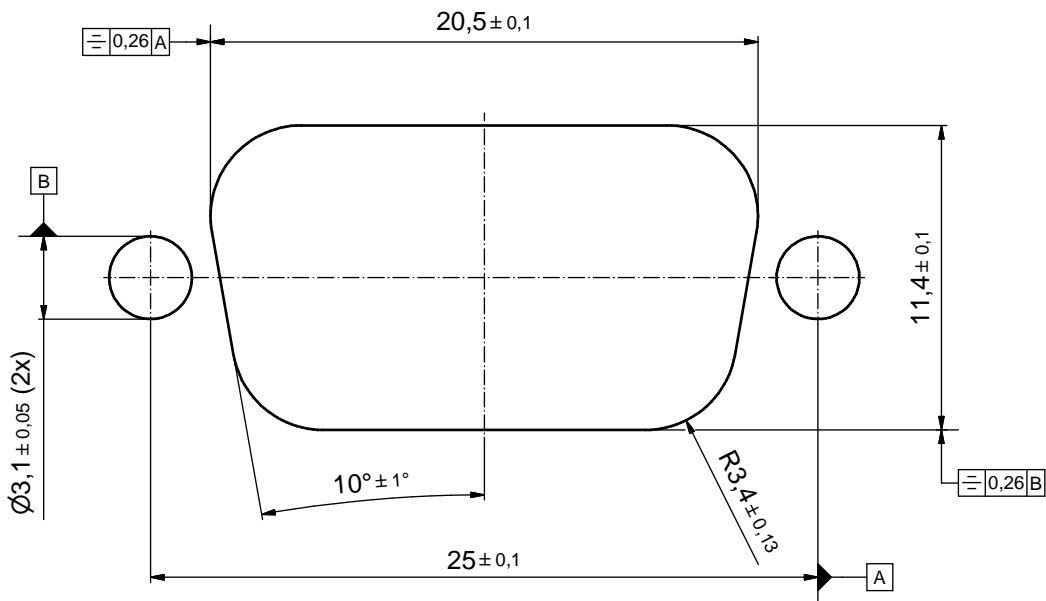
1. RECOMMENDED SOLDER INSTRUCTION SEE SHEET 2
2. IP RATING: IP 67
3. SEALED TO WITHSTAND PRESSURE UP TO 1,45 PSI FOR 30 MINUTES AFTER SOLDERING
4. METAL SHELL: ZINC DIE CAST; min. 50µm NICKEL PLATING over COPPER
5. INSULATORS: PBT GF UL 94 V-0; BLACK
6. SEALING GASKET: SILICONE; BLUE
7. SEALING COMPOUND: EPOXY RESIN UL 94 V-0; BLACK
8. CONTACTS: COPPER ALLOY; PLATING (SEE PART-NO.):
 PLEASE ADD 1 for 30µm HARD GOLD over min. 50µm NICKEL
 PLEASE ADD 3 for GOLD FLASH over NICKEL
 SOLDER CUP ACCEPTS CABLE AWG 20
9. HEXLOCKING SCREWS: STAINLESS STEEL
10. RECOMMENDED PANEL CUT-OUT ON SHEET 2
11. RECOMMENDED TORQUE FOR MOUNTING SCREW
 35Nm (3.1 in.LB) / max. 67Nm (6 in.LB)
12. CONNECTOR IS PART MARKED: 15-00629 CONEC ABC (see note 8)

THIS DRAWING MAY NOT BE COPIED OR REPRODUCED IN ANY WAY, AND MAY NOT BE PASSED ON TO A THIRD PARTY WITHOUT WRITTEN PERMISSION. OWNERSHIP AND COPYRIGHT OF CONEC GmbH DO NOT ALTER CAD DRAWING BY HAND				tolerance		dim. in mm	scale: 2:1 (5:1)	
				date			material: SEE NOTES	
		name		title: D-SUB FEMALE				
		drawn 30.09.14 Lehmenkühler		9pos. SOLDER CUP				
		appd. 26.01.15 Fischer		with closed 4-40 UNC thread				
		norm		dwg no: 15K1A1536				
1 x c		Ä5827	24.09.15	Unkrüer	d-old	DIN-A3		
2 x b		Ä5817	15.09.15	M.H.	sh: 1			
a		Original						
rev.	description	date						name
				part no: 15-00629 (see note 8)				

Ⓒ Solder Instruction

1. Cable should be prepared for soldering. The cable/wires must be pretinned.
2. Insert cable/wire into solder cup.
3. Operate the soldering iron at 350°C, 50 Watt max. and use a pencil tip.
4. Apply some solder to the solder tip of the soldering iron.
5. Put tip to wire in solder cup.
6. After 1 second bring in solder.
7. Heat for 3 seconds longer. Do not heat contact more than 4 seconds in total.
8. Remove soldering iron.
9. Wait until solder gets rigid again.
10. Do not solder adjacent contacts consecutively, alternate position within the connector to minimize heat build up.

RECOMMENDED PANEL CUT-OUT



THIS DRAWING MAY NOT BE COPIED OR REPRODUCED IN ANY WAY, AND MAY NOT BE PASSED ON TO A THIRD PARTY WITHOUT WRITTEN PERMISSION. OWNERSHIP AND COPYRIGHT OF CONEC GmbH DO NOT ALTER CAD DRAWING BY HAND				tolerance		scale: 5:1
				date	name	material: SEE SHEET 1
				drawn	30.09.14	Lehmenkühler
				appd.	26.01.15	Fischer
				norm		
			d-old			
1 x c	Ä5827	24.09.15	Unkrüer	RECOMMENDED PANEL CUT-OUT D-SUB FEMALE 9pos. SOLDER CUP with closed 4-40 UNC thread		
a	Original					
			CONEC [®]		dwg no: 15K1A1536	
rev.	description	date			name	DIN-A3 sh: 2
					part no: SEE SHEET 1	