

# Customer Information Sheet

DRAWING No.: M50-430XX45

SHEET 2 OF 2

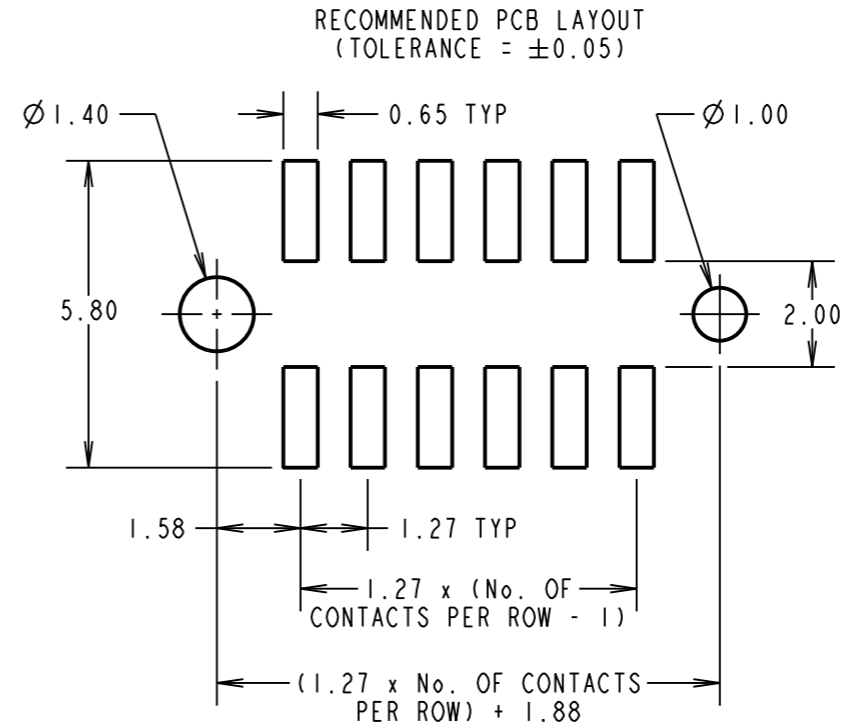
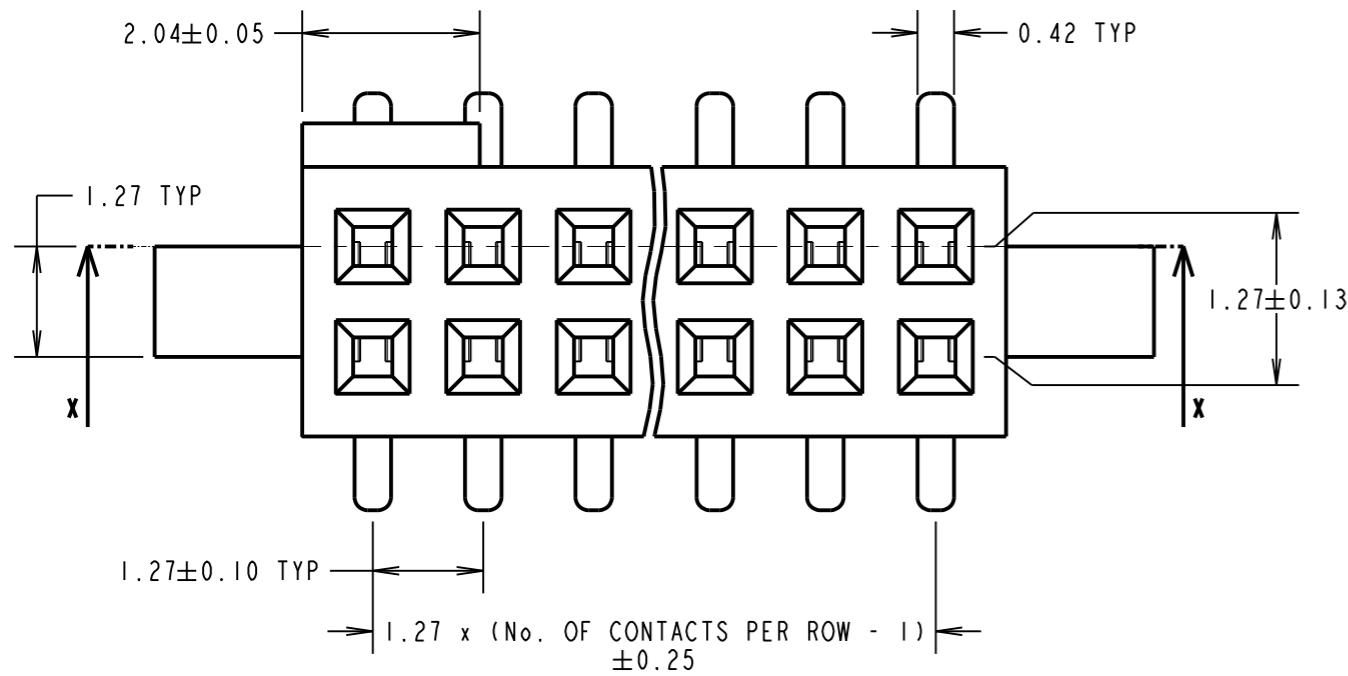
IF IN DOUBT - ASK

(C)

NOT TO SCALE

THIRD ANGLE PROJECTION

ALL DIMENSIONS IN mm

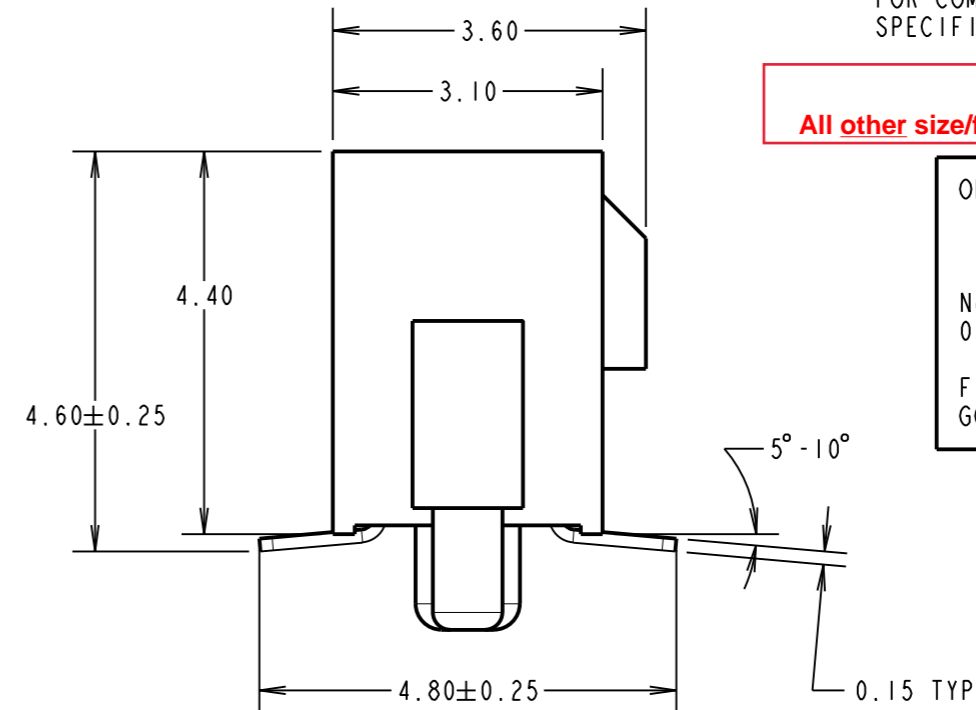
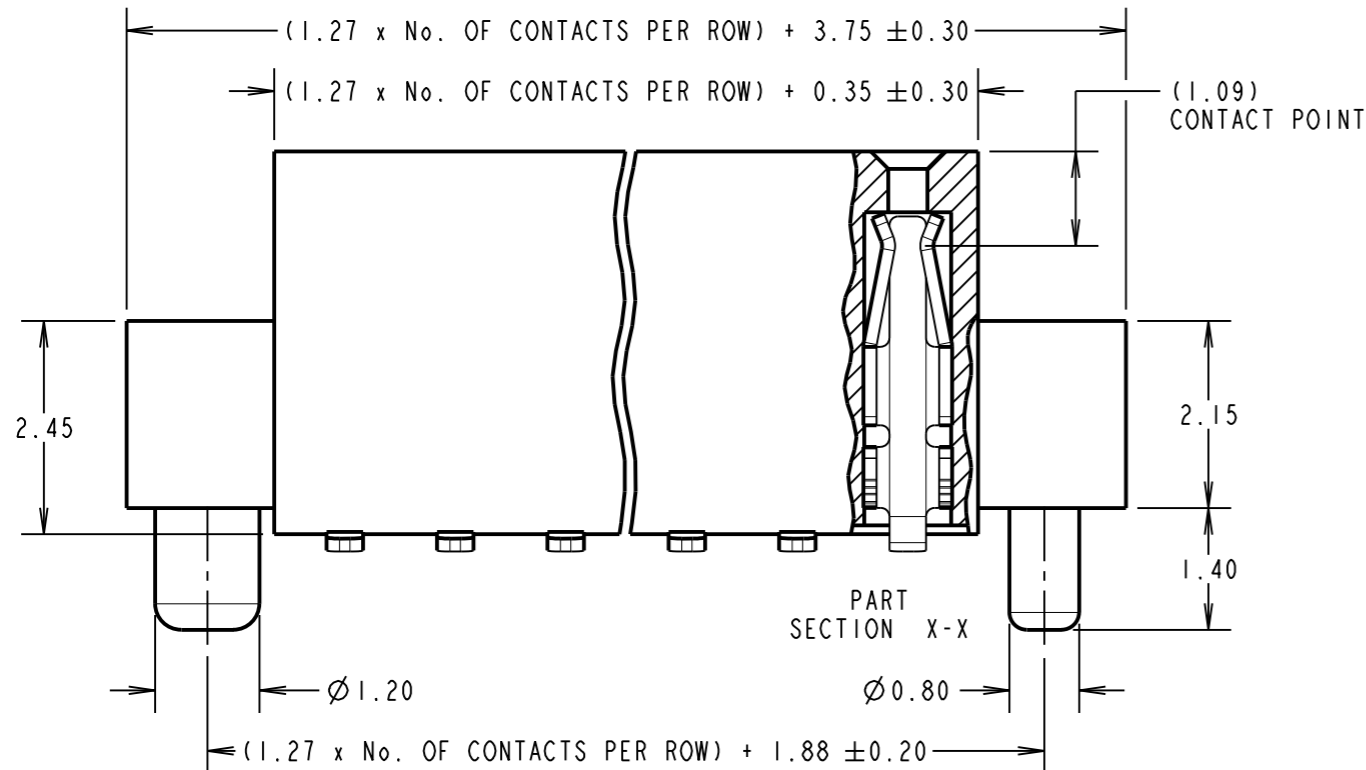


**Active products:**

- M50-4300545
- M50-4300645
- M50-4300745
- M50-4300845
- M50-4301045
- M50-4301245
- M50-4301545
- M50-4301945
- M50-4302045
- M50-4302545

**SPECIFICATIONS:**

**MATERIAL:**  
 MOULDING = LCP UL94V-0, BLACK  
 CONTACT = PHOSPHOR BRONZE  
**FINISH:**  
 CONTACT = GOLD  
**ELECTRICAL:**  
 CURRENT RATING = 1A  
 VOLTAGE PROOF = 500V AC FOR ONE MINUTE  
 CONTACT RESISTANCE = 20mΩ MAX  
 INSULATION RESISTANCE = 5000MΩ MIN  
**MECHANICAL:**  
 INSERTION FORCE = 2.00N MAX  
 WITHDRAWAL FORCE = 0.15N MIN  
 DURABILITY = 100 CYCLES MIN  
**ENVIRONMENTAL:**  
 OPERATING TEMPERATURE = -40°C TO +105°C  
**PACKING:**  
 TUBE  
 FOR COMPLETE SPECIFICATION, SEE COMPONENT SPECIFICATION C029XX (LATEST ISSUE).



**OBSOLETE**  
 All other size/finish combinations not listed above

ORDER CODE: **M50-430XX45**

No. OF CONTACTS PER ROW: \_\_\_\_\_  
 03 TO 50

FINISH: \_\_\_\_\_  
 GOLD ALL OVER CONTACT

SB	10	29.01.15	12715
NAME	ISS.	DATE	C/NOTE
APPROVED:		S. BENNETT	
CHECKED:		M. PLESTED	
DRAWN:		J. ENRIGHT	
CUSTOMER REF.:			
ASSEMBLY DRG:			

NOTES:  
 1. ALL TOLERANCES ARE ±0.12 UNLESS OTHERWISE STATED.

**HARWIN**

www.harwin.com  
 technical@harwin.com

THIS DRAWING AND ANY INFORMATION OR DESCRIPTIVE MATTER SET OUT HEREON ARE CONFIDENTIAL AND COPYRIGHT PROPERTY OF THE HARWIN GROUP AND MUST NOT BE DISCLOSED, LOANED, COPIED OR USED FOR MANUFACTURING, TENDERING OR FOR ANY OTHER PURPOSE WITHOUT THEIR WRITTEN PERMISSION.

**TOLERANCES**  
~~X. = ±1mm~~  
~~X.X = ±0.50mm~~  
~~X.XX = ±0.10mm~~  
~~X.XXX = ±0.01mm~~  
 ANGLES = ±5°  
 UNLESS STATED

**MATERIAL:**  
 SEE ABOVE  
**FINISH:** SEE ABOVE  
**S/AREA:** mm<sup>2</sup>

**TITLE:**  
 1.27mm PITCH DIL  
 VERTICAL SMT SOCKET ASSY

**DRAWING NUMBER:**  
**M50-430XX45**

SHT  
 2 OF 2