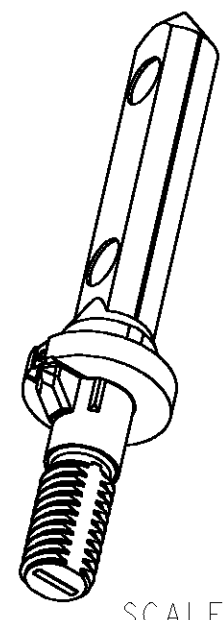
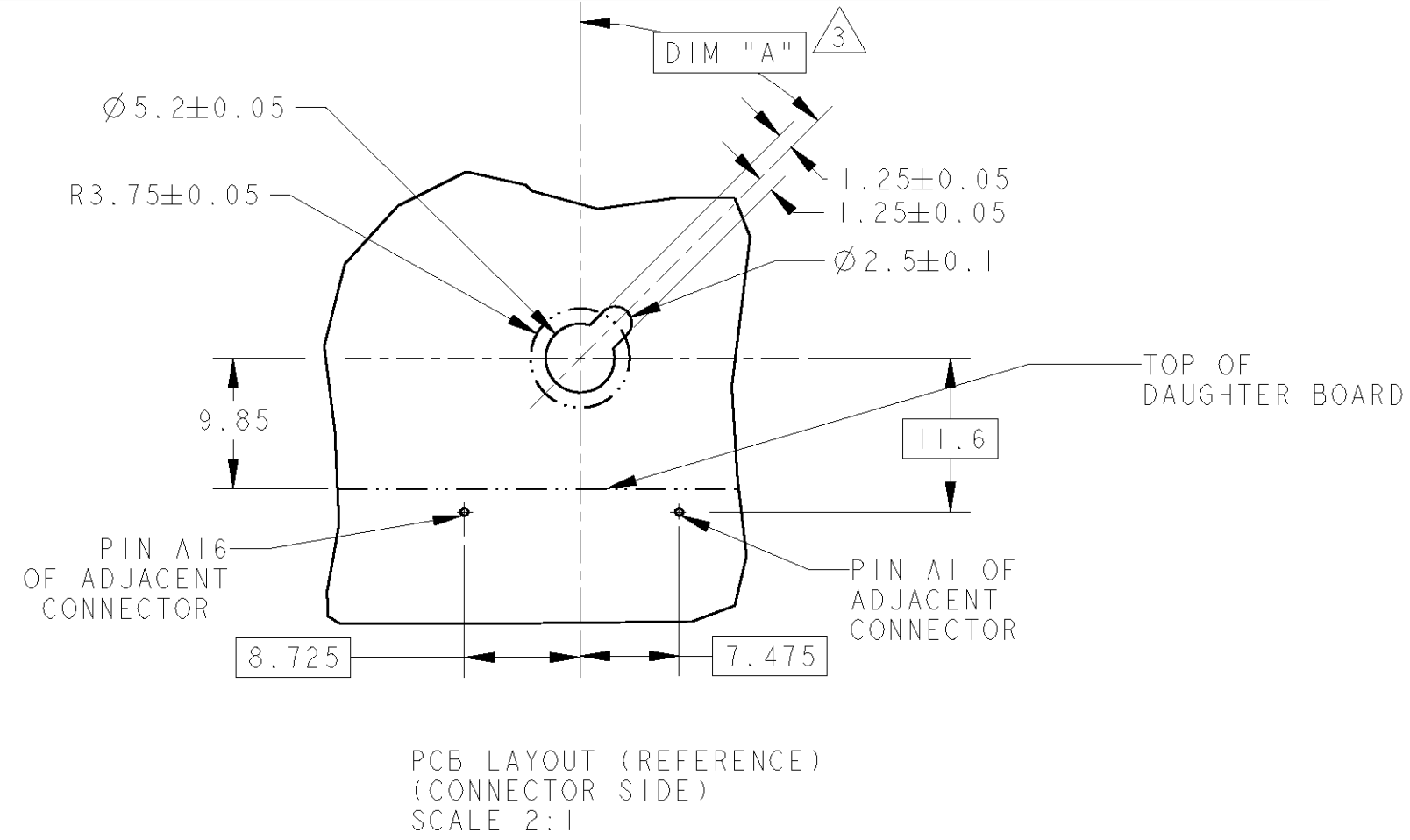
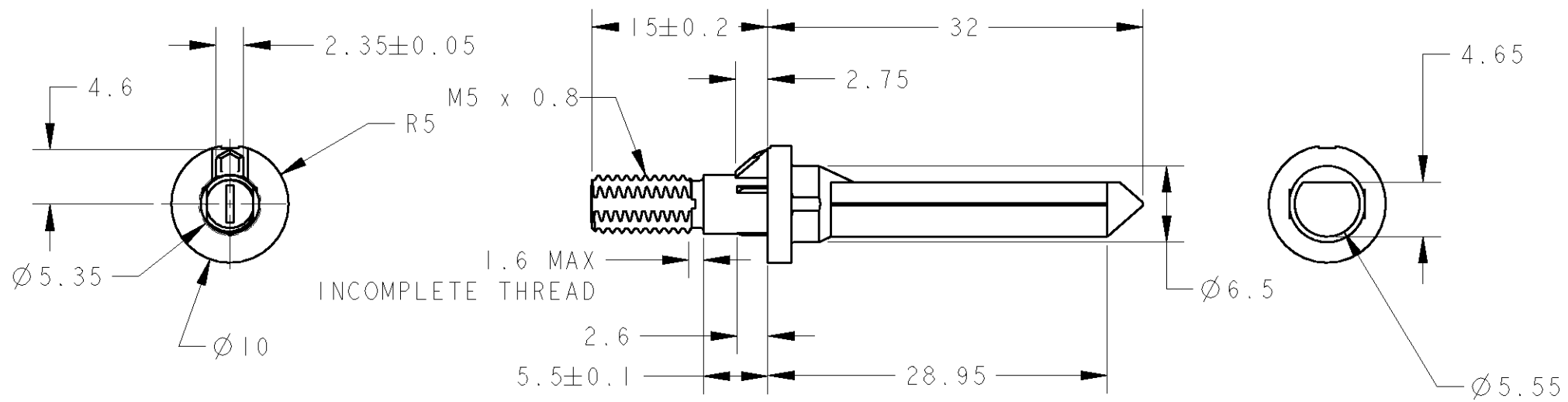


THIS DRAWING IS UNPUBLISHED. RELEASED FOR PUBLICATION 20
 © COPYRIGHT 20 BY TYCO ELECTRONICS CORPORATION. ALL RIGHTS RESERVED.

LOC	DIST	REVISIONS						
		P	LTR	DESCRIPTION	ECN	DATE	DWN	APVD
J	-	0	-	RELEASED	FJ00-0082-03	14JAN03	T.K	I.E
		-	-					
		-	-					
		-	-					



- ① MATERIAL: ZINC ALLOY
- ② FINISH: NICKEL OVER CU PLATING
- ③ KEY HOLE ORIENTATION (DIM A) PER MATING GUIDE MODULE PART NUMBER TABLE. DIM "A" SHOULD BE MEASURED CLOCKWISE.
- 4. 1612827-1 : AS SHOWN



315	1612828-8
270	1612828-7
225	1612828-6
180	1612828-5
135	1612828-4
90	1612828-3
45	1612828-2
0	1612828-1
DIM A (DEG)	MATING GUIDE MODULE ③

THIS DRAWING IS A CONTROLLED DOCUMENT FOR TYCO ELECTRONICS CORPORATION. IT IS SUBJECT TO CHANGE AND THE CONTROLLING ENGINEERING ORGANIZATION SHOULD BE CONTACTED FOR THE LATEST REVISION.		DWN T. KIMURA 27JUN2002		Tyco Electronics AMP K.K. Kawasaki, Japan	
DIMENSIONS: 单位: 毫米 mm		TOLERANCES UNLESS OTHERWISE SPECIFIED: 一般公差		NAME 名称	
		0 PLC ±0.5 1 PLC ±0.5 2 PLC ±0.3 3 PLC ±0.2 4 PLC ±0.1 ANGLES ±5		GUIDE PIN MULTI GIG RT2J	
MATERIAL 材料 SEE NOTE		FINISH 仕上 SEE NOTE		PRODUCT SPEC 製品規格 - APPLICATION SPEC 取付適用規格 - WEIGHT -	
		CUSTOMER DRAWING		RESTRICTED TO -	
		SCALE 尺度 2:1		SHEET 1 OF 1 REV 0	