

ORIENTATION IS AS SHOWN IN CARRIER REEL

All dimensions are in inches [mm]

Interface

According to

Rosenberger WSMP™ Interface standards

Material and plating

Connector parts

Body and contact

Material

Kovar® per ASTM F15

Plating

Hard gold 50µIN [1,27µm] min, over
Nickel, 50µIN [1,27µm] min

Dielectric

Pick and Place Plug

Corning 7070 Glass

PTFE

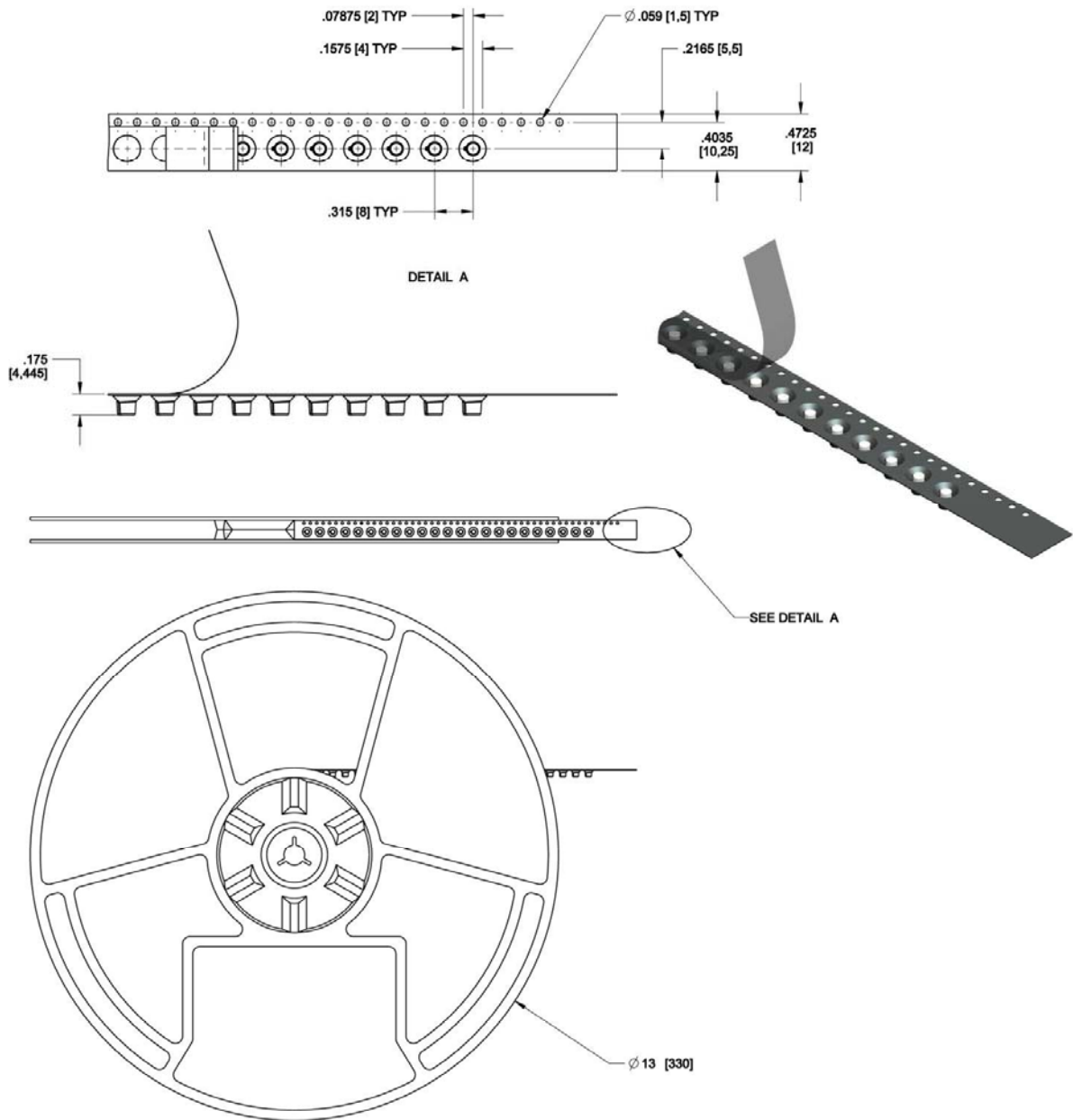
Technical Data Sheet

Rosenberger

WSMP

W1S103-40MD3 with
Pick and Place Plug

W1S109-40MD3



PROPRIETARY AND CONFIDENTIAL
This data sheet is the property of Rosenberger of North America, LLC. By acceptance of this document you agree that all the rights to drawings, specifications, processes and other data therein, as well as the proprietary and novel features of the subject matter, are reserved by Rosenberger of North America, LLC and are disclosed in confidence. They are not to be manufactured, used, sold or disclosed to others, nor are devices embodying such features or information derived from these disclosures to be used or disclosed, unless and until expressly authorized by Rosenberger of North America, LLC. These drawings, specifications, processes, etc., are and remain the property of Rosenberger of North America, LLC, and are not to be copied or reproduced without permission.

Technical Data Sheet

Rosenberger

WSMP

W1S103-40MD3 with
Pick and Place Plug

W1S109-40MD3

Electrical data

Impedance	50 Ω
Frequency	DC to 80 GHz
Return loss (typical)*	≥ 26 dB, DC to 40 GHz ≥ 19 dB, 40 to 50 GHz ≥ 14 dB, 50 to 70 GHz
Insertion loss	≤ 0.12 x $\sqrt{f(\text{GHz})}$ dB
Insulation resistance	≥ 3.5 x 10 ³ MΩ
Center contact resistance	≤ 2.0 mΩ
Outer contact resistance	≤ 6.0 mΩ
Test voltage (at sea level)	250 V rms
RF High Potential (at sea level)	150 V rms @ 5 MHz
RF-leakage	≥ -80 dB (typical mated pair)

*Connector only, return loss in application depends decisively on PCB layout

Mechanical data

Mating cycles	
- Smooth Bore	≥ 500
Engagement force (typical)	
- Smooth Bore	1.2 lb _f [5.3 N]
Disengagement force (typical)	
- Smooth Bore	1.0 lb _f [4.45 N]

Environmental data

Temperature range	-55°C to +165°C
Thermal shock	MIL-STD-202, Method 107, Condition B
Corrosion	MIL-STD-202, Method 101
Vibration	MIL-STD-202, Method 204, Condition D
Shock	MIL-STD-202, Method 213, Condition I
Moisture resistance	MIL-STD-202, Method 106, except Step 7B
Max soldering temperature	IEC 61760-1, +500°F [+260°C] for 10 seconds
2002/95/EC (RoHS)	compliant

Tooling

Extraction tool	N/A
-----------------	-----

Suitable cables

N/A

Packing

Standard	1500 pcs tape and reel
----------	------------------------

Dieses Dokument ist urheberrechtlich geschützt • This document is protected by copyright • Rosenberger Hochfrequenztechnik GmbH & Co. KG

RF_35/05.10/6.0

Draft	Date	Approved	Date	Rev.	Engineering change number	Name	Date
R. Hosler	10/21/15	M. Peeran	10/21/15	100	ECN 15-e000; Preliminary	M. Peeran	10/21/15
Rosenberger of North America, LLC P.O. Box 309 Akron, PA USA 17501 www.rosenbergema.com				Tel. : +1.717.859.8900 Fax : +1.717.859.7044 Email : info@rosenbergema.com			Page 3 / 3