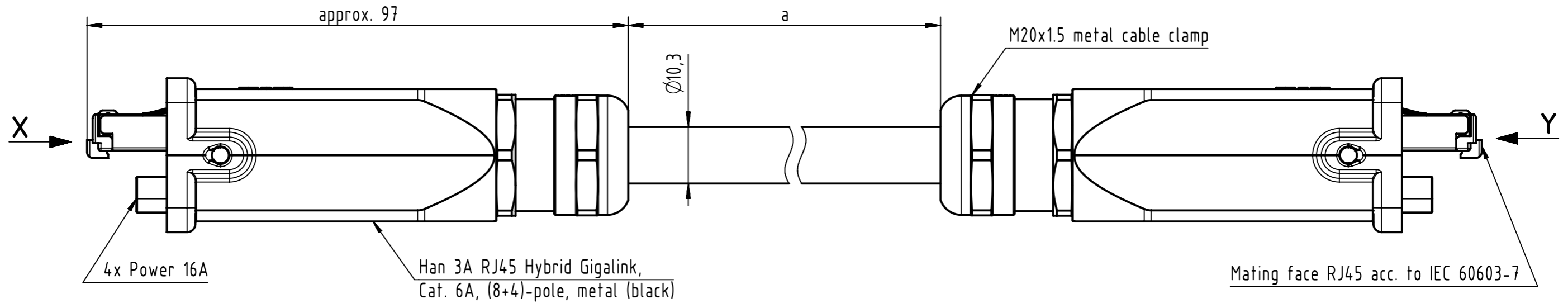
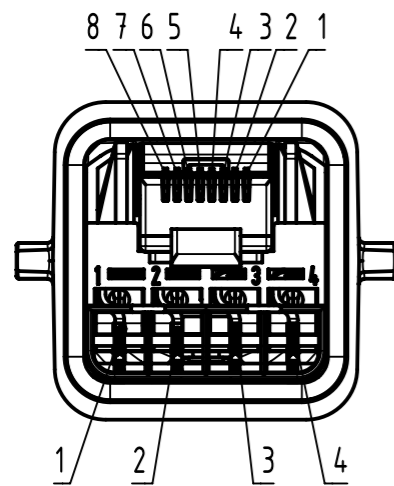


Connector Location A

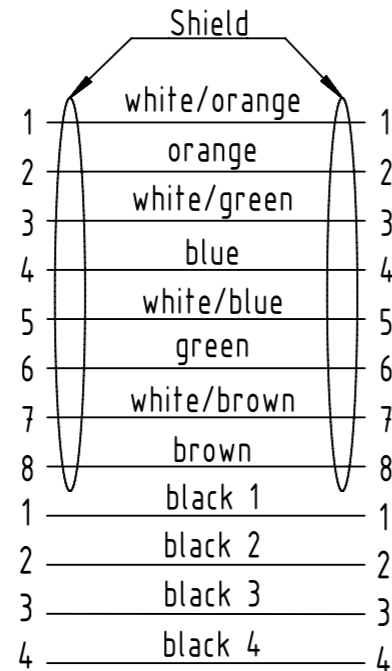
Connector Location B



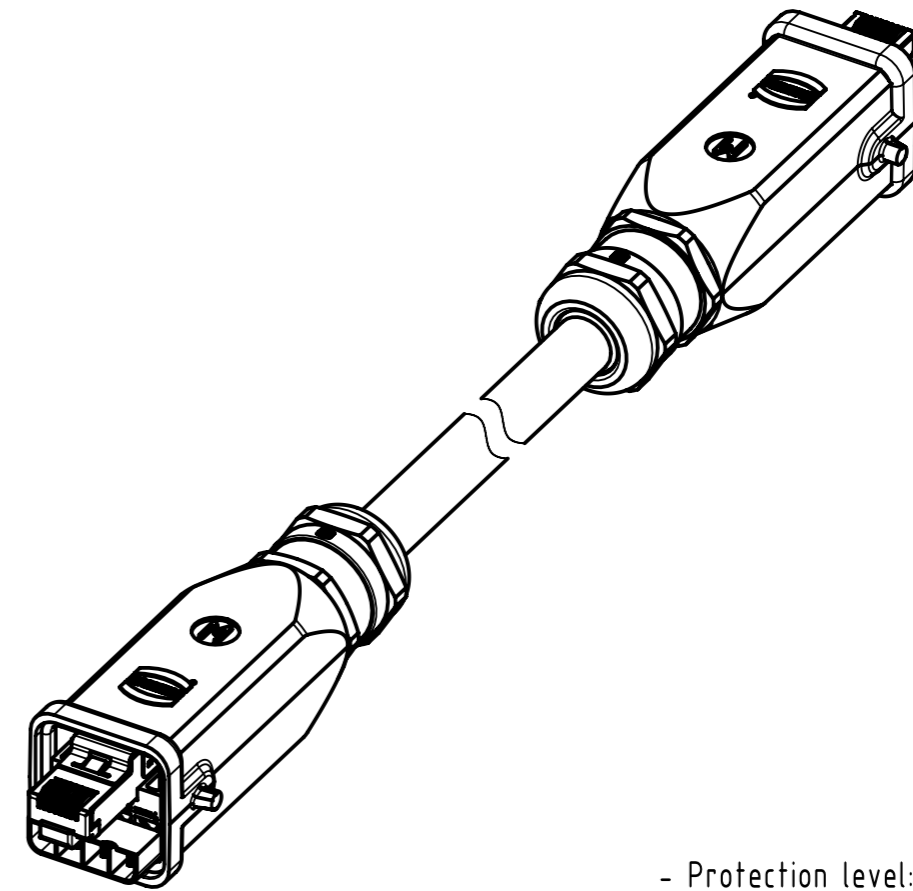
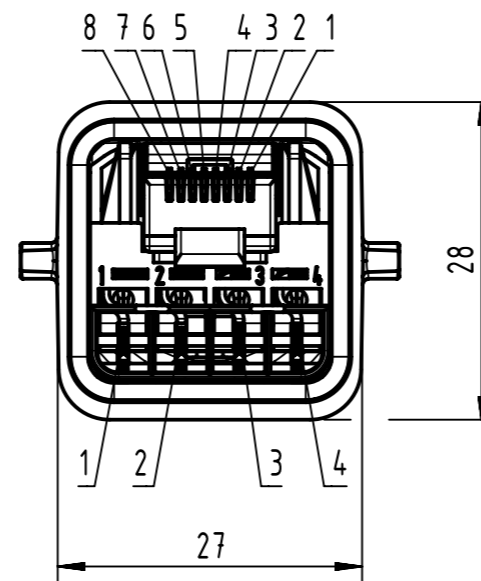
X male



Loading Plan acc. to TIA/EIA 568B



Y male



- Protection level: IP65/67
- Temperature range: -30°C ... +70°C

	All rights reserved	Created by 402676 Gross	Inspected by 402676 Gross	Standardisation COSTEA Costea	Date 2022-08-29	State Final Release
	Department HCS - RO	Title Han3A M Hybrid Cat.6 8+4p			Doc-Key / ECM-Nr. 100178367/UGD/003/J 50000223437	
HARTING Customised Solutions D-32339 Espelkamp		Type TB	Number 09457251XXX		Rev. J	Page 1/2

1	2	3	4	5	6	7	8																							
A																														
B																														
C	23	09457251548	Ethernet Cable 4x2xAWG 26/7+4x1.5, PUR, Cat.6, black	60 ±0.6																										
	22	09457251547		50 ±0.5																										
	21	09457251546		40 ±0.4																										
	20	09457251545		30 ±0.3																										
	19	09457251552		25 ±0.25																										
D	18	09457251544		20 ±0.2																										
	17	09457251543		15 ±0.15																										
	16	09457251550		13 ±0.13																										
	15	09457251549		12 ±0.12																										
	14	09457251542		10 ±0.1																										
	13	09457251541		9 ±0.09																										
	12	09457251540		8 ±0.08																										
	11	09457251539		7 ±0.07																										
	10	09457251538		6 ±0.06																										
	9	09457251537		5 ±0.05																										
E	8	09457251536		4 ±0.04																										
	7	09457251535		3 ±0.03																										
	6	09457251551		2.5 ±0.025																										
	5	09457251534		2 ±0.02																										
	4	09457251533		1.5 ±0.015																										
	3	09457251532		1 ±0.01																										
	2	09457251553		0.8 ±0.01																										
F	1	09457251531		0.5 ±0.01																										
	Cont. no.	Part no.	Type of cable	Dim. a[m]	<table border="1"> <tr> <td rowspan="2"></td> <td colspan="2">All rights reserved</td> <td>Created by 402676 Gross</td> <td>Inspected by 402676 Gross</td> <td>Standardisation COSTEA Costea</td> <td>Date 2022-08-29</td> <td>State Final Release</td> </tr> <tr> <td colspan="2">Department HCS - RO</td> <td colspan="2">Title Han3A M Hybrid Cat.6 8+4p</td> <td colspan="2">Doc-Key / ECM-Nr. 100178367/UGD/003/J 50000223437</td> <td>Rev. J</td> </tr> <tr> <td colspan="2">HARTING Customised Solutions D-32339 Espelkamp</td> <td>Type TB</td> <td colspan="2">Number 09457251XXX</td> <td colspan="2">Page 2/2</td> <td></td> </tr> </table>				All rights reserved		Created by 402676 Gross	Inspected by 402676 Gross	Standardisation COSTEA Costea	Date 2022-08-29	State Final Release	Department HCS - RO		Title Han3A M Hybrid Cat.6 8+4p		Doc-Key / ECM-Nr. 100178367/UGD/003/J 50000223437		Rev. J	HARTING Customised Solutions D-32339 Espelkamp		Type TB	Number 09457251XXX		Page 2/2		
	All rights reserved		Created by 402676 Gross	Inspected by 402676 Gross	Standardisation COSTEA Costea	Date 2022-08-29	State Final Release																							
	Department HCS - RO		Title Han3A M Hybrid Cat.6 8+4p		Doc-Key / ECM-Nr. 100178367/UGD/003/J 50000223437		Rev. J																							
HARTING Customised Solutions D-32339 Espelkamp		Type TB	Number 09457251XXX		Page 2/2																									
	1	2	3	4	5	6	7																							