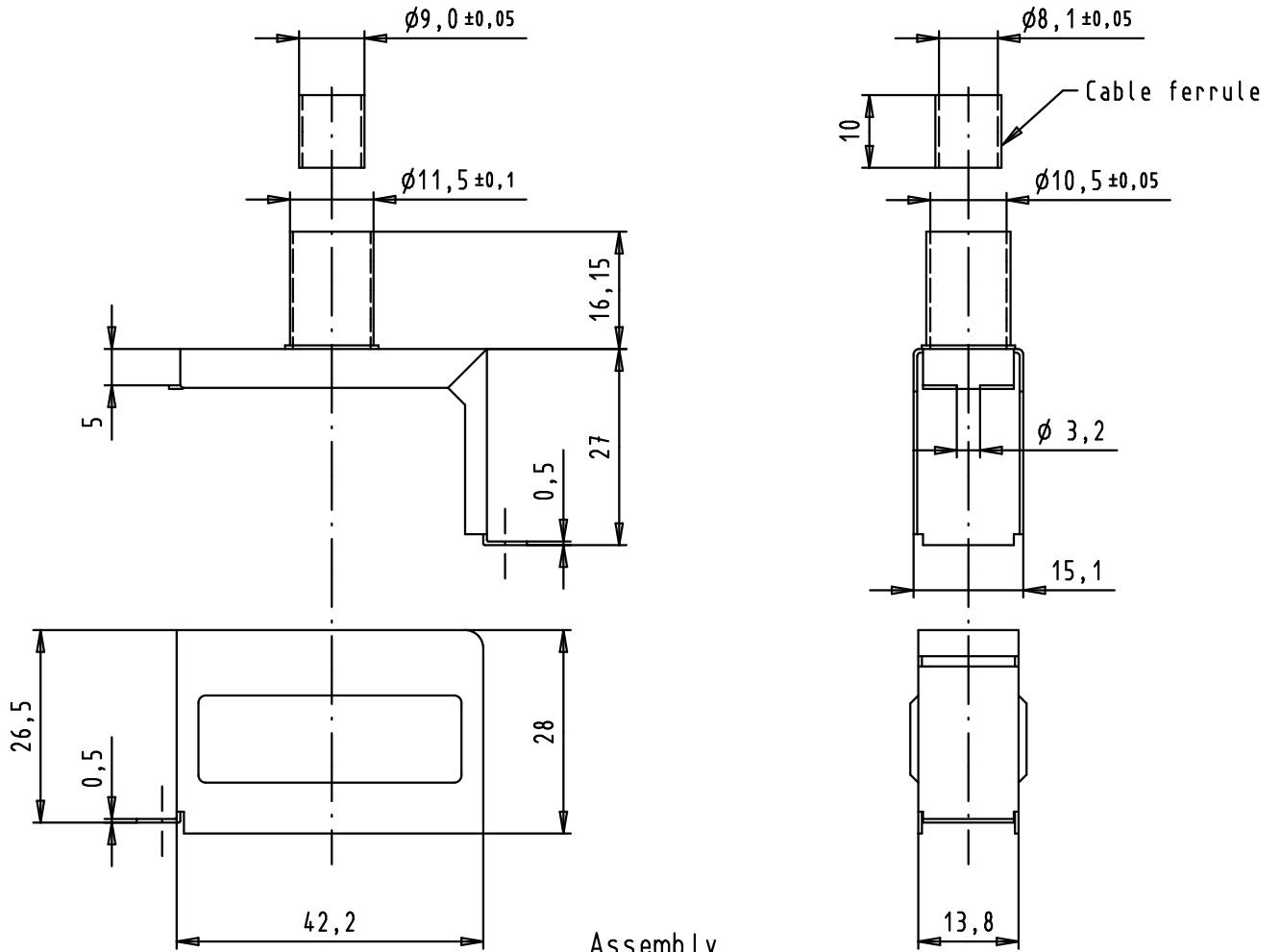
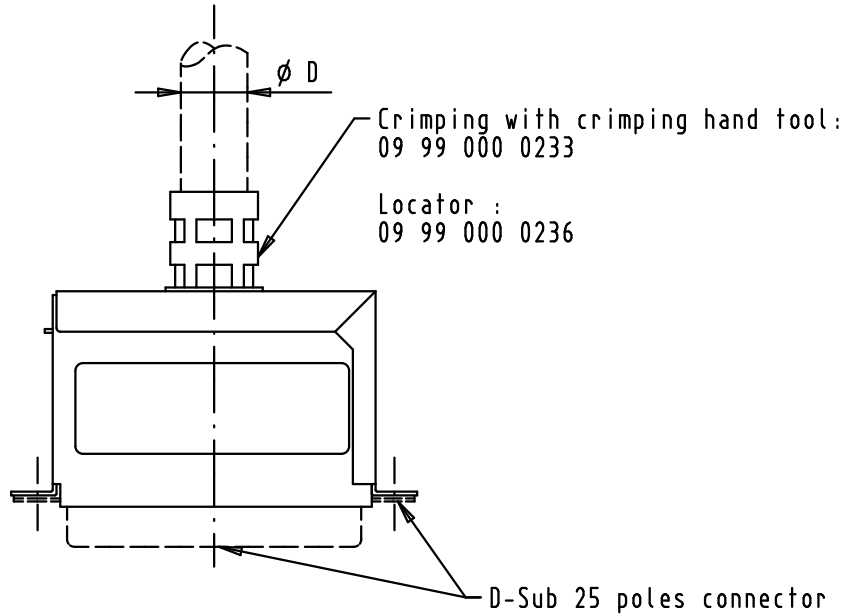


Alle Rechte vorbehalten. All rights reserved

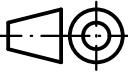



Assembly



Recommended cable outer diameter D: D min = 8,0 mm  
D max = 10,3 mm

To be assembled with plastic cover 09 67 025 0422

A				Dat.	Name	 All Dim. in mm Orig. Size DIN A 4	D-sub, 25 poles, cable ferrule, plastic cover, internal metal screen	Maßstab/ Scale
				Detail.	02/12/04			TR
					Insp.	02/03/11	JB	
	EC02932	01/03/11	SC		Stand.			
	34618	22/10/07	PK	HARTING EURL F-95972 Paris				TB 09 67 025 0421
	32480							
	Mod.	Dat.	Name					1 / 1