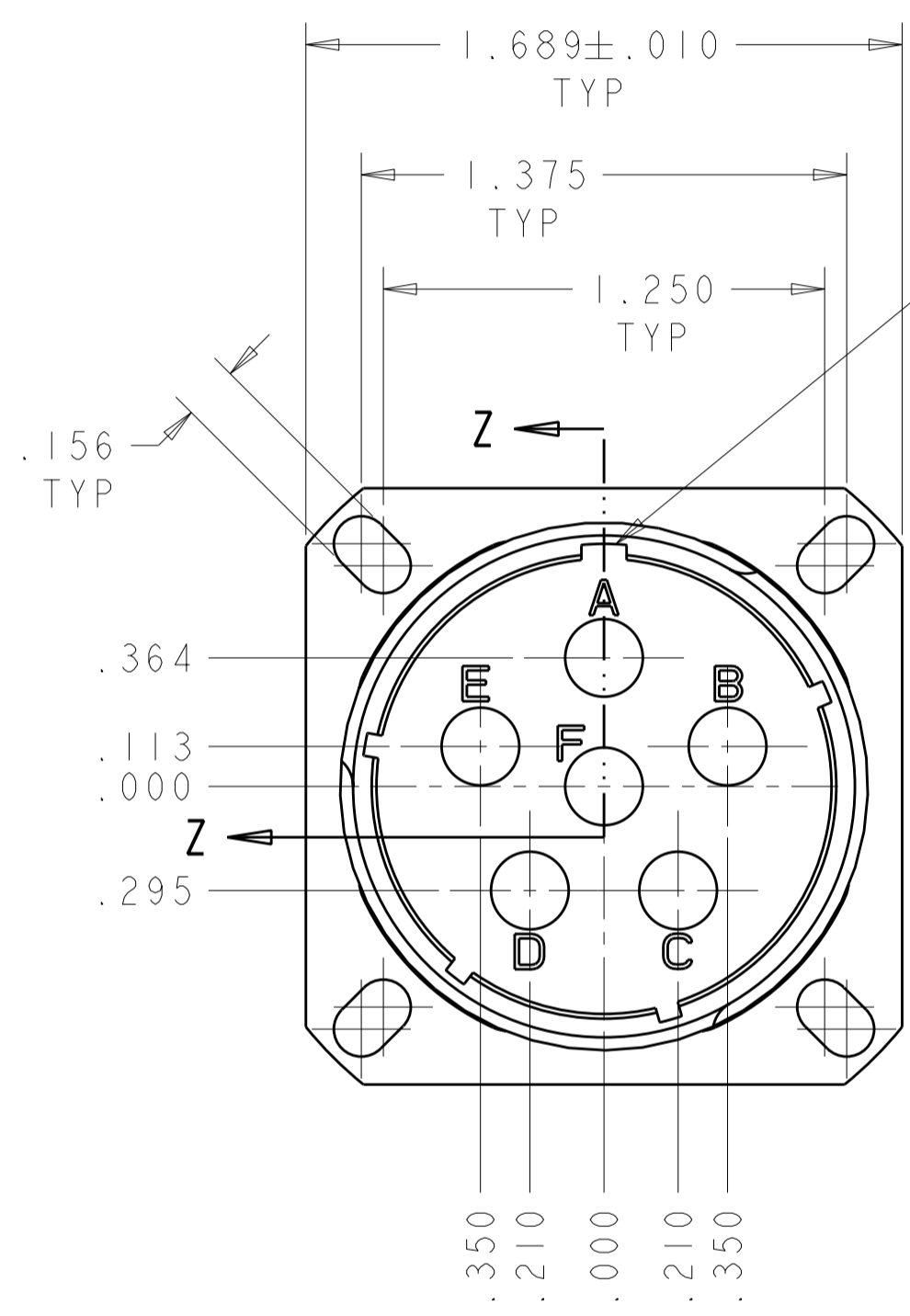


THIS DRAWING IS UNPUBLISHED. RELEASED FOR PUBLICATION 20
 © COPYRIGHT 20 BY TYCO ELECTRONICS CORPORATION. ALL RIGHTS RESERVED.

| LOC | DIST | REVISIONS | | | | | |
|-----|------|-----------|-----|---------------------------|-----------|-----|------|
| DF | A5 | P | LTR | DESCRIPTION | DATE | DWN | APVD |
| | | B | | REVISED PER ECO-08-029679 | 22DEC2008 | SK | DM |

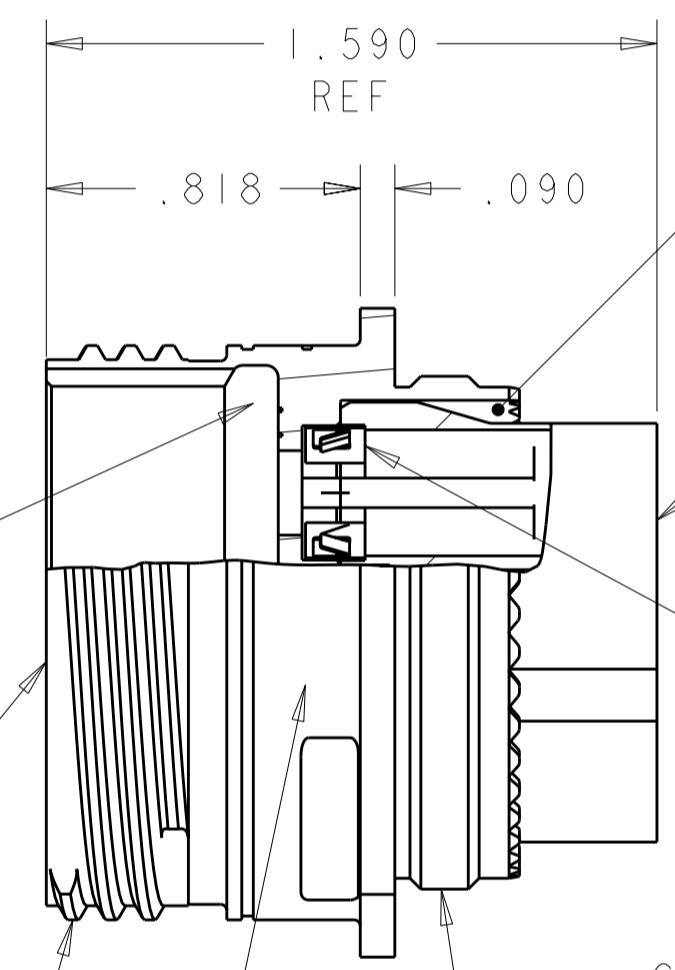


MASTER KEYWAY
 KEYWAY ARRANGEMENT SHOWN
 FOR ARRANGEMENT "N"
 PER MIL-DTL-38999K

PERIPHERAL GASKET
 MATERIAL: SILICONE RUBBER
 COLOR: RED

RECEPTACLE SHELL
 MATERIAL: ALUMINUM ALLOY
 FINISH: SEE TABLE

1.500 0.1P-0.3L-TS-2A
 MODIFIED 60° STUB ACME
 TRIPLE START THREAD



RTV SEALANT
 (MIL-A-46146)

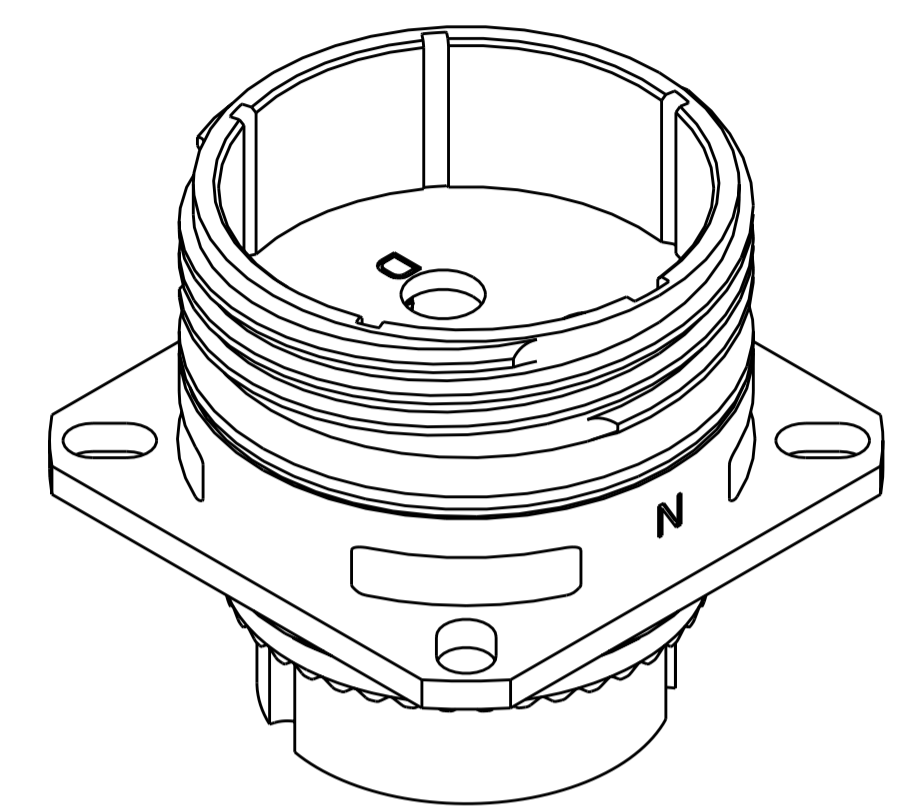
REAR RETAINER
 MATERIAL: ALUMINUM ALLOY OR
 CONDUCTIVE COMPOSITE
 THERMOPLASTIC
 FINISH: SEE TABLE

RETENTION CLIP; QTY 6
 MATERIAL: STAINLESS STEEL
 FINISH: PLATED SILVER
 OVER NICKEL UNDERPLATE

CIRCUIT IDENTIFICATION MARKED
 ON OUTER CIRCUMFERENCE
 APPROXIMATELY AS SHOWN

M34x1.0-6G 0.100R
 BACKSHELL THREAD

SECTION Z-Z



- THIS CONNECTOR ACCEPTS TYCO ELECTRONICS QUARDAX SOCKET ASSEMBLY, PART# 1445692-3 (CONTACTS NOT INCLUDED).
- OPERATING TEMPERATURE RANGE: -65°C TO 125°C (-85°F TO 257°F).
- QUADRAX PIN CONTACT, 1445692-3, SOLD SEPARATELY.
- THE CONNECTOR QUALIFICATION WAS COMPLETED PER TYCO ELECTRONICS 108-2199. THE QUADRAX CONTACTS ARE QUALIFIED PER TYCO ELECTRONICS 108-2131. THE REFERENCE TEST REPORTS ARE TYCO ELECTRONICS 501-660 FOR THE CONNECTOR AND 501-574 FOR THE CONTACTS WHICH ARE SAME AS ARINC 600-13, DRAFT 2 OF SUPPLEMENT 14 (AIR TRANSPORT AVIONICS EQUIPMENT INTERFACES).

5 TYCO ELECTRONICS LOGO OR TE

| | | |
|-------------------------|--------------------------|-------------|
| OLIVE DRAB | B | 1954577-6 |
| OLIVE DRAB | A | 1954577-5 |
| OLIVE DRAB | N | 1954577-4 |
| NICKEL | B | 1954577-3 |
| NICKEL | A | 1954577-2 |
| NICKEL | N | 1954577-1 |
| SHELL & RETAINER FINISH | SHELL KEYING ARRANGEMENT | PART NUMBER |

THIS DRAWING IS A CONTROLLED DOCUMENT FOR TYCO ELECTRONICS CORPORATION. IT IS SUBJECT TO CHANGE AND THE CONTROLLING ENGINEERING ORGANIZATION SHOULD BE CONTACTED FOR THE LATEST REVISION.

| | | | |
|--------------------|--|-----------------------|---|
| DIMENSIONS: INCHES | TOLERANCES UNLESS OTHERWISE SPECIFIED: | DWN R FLAIG 20NOV2006 | Tyco Electronics Harrisburg, PA 17105-3608 |
| | 0 PLC ± | CHK L OH 20NOV2006 | |
| | 1 PLC ±.01 | APVD L OH 20NOV2006 | |
| MATERIAL | 2 PLC ±.005 | PRODUCT SPEC | NAME ASSY, RECEPTACLE, SIZE 23, 606, M38999 STYLE, SERIES 111 |
| | 3 PLC ±.005 | APPLICATION SPEC | SIZE CAGE CODE DRAWING NO RESTRICTED TO |
| | 4 PLC ± | WEIGHT | A200779 C-1954577 |
| | ANGLES ±1° | CUSTOMER DRAWING | SCALE 2:1 SHEET 1 OF 1 REV B |
| | FINISH | | |