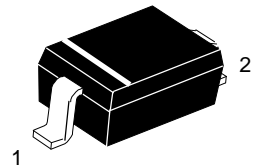
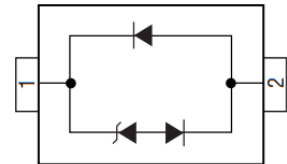


Features

- 400W peak pulse power per line ($T_P=8/20\mu s$)
- SOD-323 package
- Unidirectional configuration
- Protects one power or I/O line
- Low clamping voltage
- RoHS compliant
- Transient protection for data lines to
 IEC 61000-4-2(ESD) ± 30 KV (air), ± 30 KV (contact);
 IEC 61000-4-4 (EFT) 40A (5/50ns)
 IEC 61000-4-5 (Surge): 10A (8/20us)



SOD-323



Schematic Diagram

Applications

- Ethernet - 10/100/1000 Base T
- Cellular phones
- Handheld - Wireless Systems
- PDAs
- USB Interface

Absolute Maximum Ratings ($T_A=25^\circ C$ unless otherwise specified)

Parameter	Symbol	Value	Unit
Peak Pulse Power ($T_P=8/20\mu S$)	P_{PP}	400	W
Junction Temperature	T_J	-55 To +150	$^\circ C$
Storage Temperature	T_{STG}	-55 To +150	$^\circ C$

Electrical Characteristics per line ($T_A=25^\circ C$ unless otherwise specified)

Part Number	Marking	V_{RWM}	$I_R @ V_{RWM}$	Min Breakdown Voltage V_{BR} @1mA	Max Clamping Voltage V_C		Typ C_J @ 0V, 1MHz
					@ $I_P=1A$	@ I_{PP}	
		V	μA	V	V	pF	
GSEDC15U010	BU	15	1	16.7	24.0	40 @ 10A	1

Typical Characteristic Curves

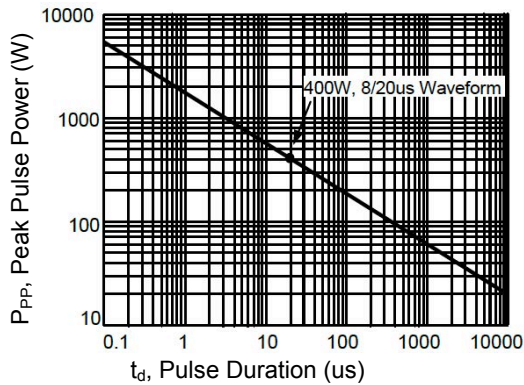


Figure 1. Peak Pulse Power vs. Pulse Time

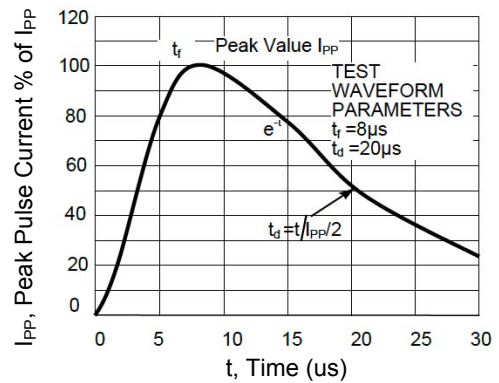
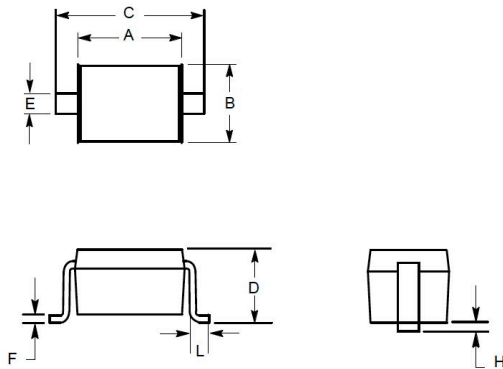


Figure 2. Pulse Wave Form

Package Outline Dimensions (SOD-323)



Symbol	Dimensions in Millimeters	
	Min	Max
A	1.60	1.90
B	1.15	1.45
C	2.39	2.70
D	0.80	1.10
E	0.25	0.40
F	0.10	0.20
H	-	0.10
L	0.20	-

Order Information

Device	Package	Marking	Carrier	Quantity	HSF Status
GSEDC15U010	SOD-323	BU	Tape & Reel (7")	3000 pcs	RoHS compliant