

SAC-12P-10,0-PVC/FR SCO - Sensor/actuator cable



1554937

<https://www.phoenixcontact.com/us/products/1554937>

Please be informed that the data shown in this PDF document is generated from our online catalog. Please find the complete data in the user documentation. Our general terms of use for downloads are valid.



Sensor/actuator cable, 12-position, PVC, black RAL 9005, free cable end, on Socket angled M12 SPEEDCON, coding: A, cable length: 10 m

Your advantages

- Easy and safe: 100 % electrically tested plug-in components
- Save time, thanks to installation with SPEEDCON fast locking system
- Save space – with high-pos. connectors

Commercial data

Item number	1554937
Packing unit	1 pc
Minimum order quantity	1 pc
Sales key	BF03
Product key	BF1CGA
Catalog page	Page 213 (C-2-2019)
GTIN	4046356176538
Weight per piece (including packing)	501.3 g
Weight per piece (excluding packing)	488.8 g
Customs tariff number	85444290
Country of origin	DE

SAC-12P-10,0-PVC/FR SCO - Sensor/actuator cable



1554937

<https://www.phoenixcontact.com/us/products/1554937>

Technical data

Product properties

Product type	Sensor/actuator cable
Application	Standard
Number of positions	12
No. of cable outlets	1
Shielded	no
Coding	A

Insulation characteristics

Overvoltage category	II
Degree of pollution	3

Material specifications

Flammability rating according to UL 94	HB
Seal material	NBR
Material of grip body	TPU, hardly inflammable, self-extinguishing
Contact material	CuZn
Contact surface material	Ni/Au
Contact carrier material	TPU GF
Material for screw connection	Zinc die-cast, nickel-plated

Electrical properties

Insulation resistance	$\geq 100 \text{ M}\Omega$
Nominal voltage U_N	30 V AC
	30 V DC
Nominal current I_N	1.5 A

Signaling

Status display	No
Status display present	No

Connection data

Conductor connection

Tightening torque	0.4 Nm (M12 connector)
-------------------	------------------------

Connector

Connection 1

Type	free cable end
------	----------------

Connection 2

Type	Socket angled M12 SPEEDCON
Number of positions	12

SAC-12P-10,0-PVC/FR SCO - Sensor/actuator cable



1554937


<https://www.phoenixcontact.com/us/products/1554937>

Locking type	SPEEDCON
Coding type	A

Cable/line

Cable length	10 m
--------------	------

PVC black [PVC]

Dimensional drawing	
Number of positions	12
Shielded	no
Cable type	PVC black [PVC]
Conductor structure signal line	18x 0.10 mm
AWG signal line	26
Conductor cross section	12x 0.14 mm ² (Signal line)
Wire diameter incl. insulation	1 mm ±0.05 mm (Signal line)
External cable diameter	5.80 mm
Outer sheath, material	PVC
External sheath, color	black RAL 9005
Conductor material	Bare Cu litz wires
Material wire insulation	PVC
Single wire, color	white, brown, green, yellow, gray, pink, blue, red, black, violet, gray/pink, red/blue
Overall twist	12 wires twisted in layers
Max. conductor resistance	≤ 142 Ω/km (at 20 °C)
Insulation resistance	> 10 MΩ*km
Nominal voltage, cable	250 V
Test voltage Core/Core	1500 V AC
Smallest bending radius, fixed installation	29 mm
Smallest bending radius, movable installation	87 mm
Flame resistance	DIN EN 50265-2-1
Ambient temperature (operation)	-25 °C ... 80 °C (cable, fixed installation) -5 °C ... 80 °C (Cable, flexible installation)

Environmental and real-life conditions

Ambient conditions

Degree of protection	IP65
	IP67

SAC-12P-10,0-PVC/FR SCO - Sensor/actuator cable



1554937

<https://www.phoenixcontact.com/us/products/1554937>

	IP68
Ambient temperature (operation)	-25 °C ... 85 °C (Plug / socket)
	-25 °C ... 80 °C (cable, fixed installation)
	-5 °C ... 80 °C (Cable, flexible installation)

Standards and regulations

Standard designation	M12 connector
Standards/specifications	IEC 61076-2-101

SAC-12P-10,0-PVC/FR SCO - Sensor/actuator cable



1554937

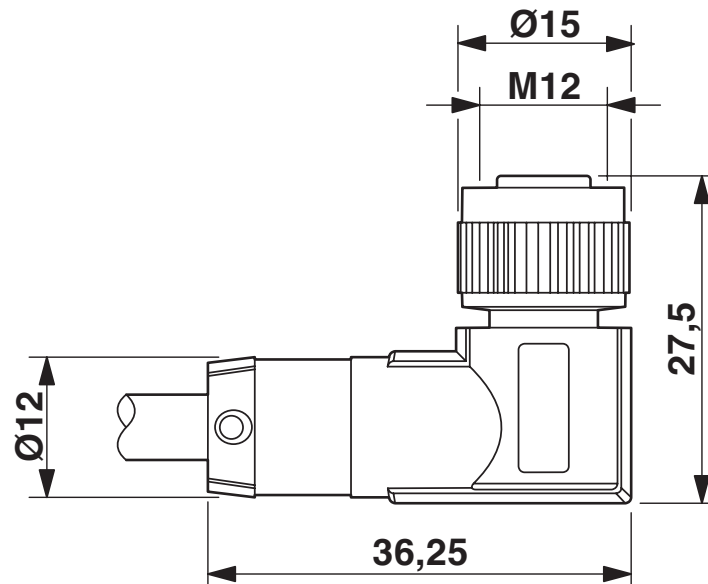
<https://www.phoenixcontact.com/us/products/1554937>

Drawings

Circuit diagram



Dimensional drawing



M12-SPEEDCON socket, angled

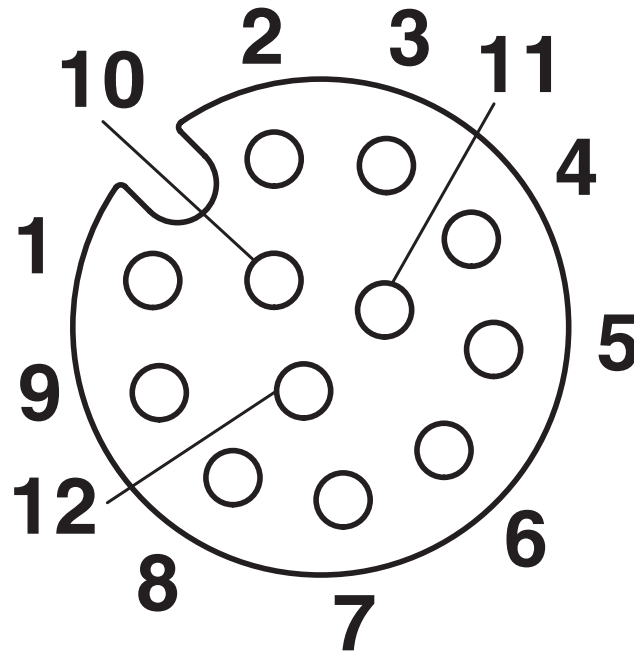
SAC-12P-10,0-PVC/FR SCO - Sensor/actuator cable



1554937

<https://www.phoenixcontact.com/us/products/1554937>

Schematic diagram



Pin assignment M12, 12-pos., female side view

SAC-12P-10,0-PVC/FR SCO - Sensor/actuator cable



1554937

<https://www.phoenixcontact.com/us/products/1554937>

Approvals

To download certificates, visit the product detail page: <https://www.phoenixcontact.com/us/products/1554937>



UL Listed

Approval ID: FILE E 221474

	Nominal voltage U_N	Nominal current I_N	Cross section AWG	Cross section mm^2
	30 V	1 A	-	-



EAC-RoHS

Approval ID: RU D-DE.HB35.B.00387

SAC-12P-10,0-PVC/FR SCO - Sensor/actuator cable



1554937

<https://www.phoenixcontact.com/us/products/1554937>

Classifications

ECLASS

ECLASS-11.0	27060311
ECLASS-12.0	27060311
ECLASS-13.0	27060311

ETIM

ETIM 9.0	EC001855
----------	----------

UNSPSC

UNSPSC 21.0	26121600
-------------	----------

SAC-12P-10,0-PVC/FR SCO - Sensor/actuator cable



1554937

<https://www.phoenixcontact.com/us/products/1554937>

Environmental product compliance

EU RoHS

Fulfills EU RoHS substance requirements	Yes, No exemptions
---	--------------------

China RoHS

Environment friendly use period (EFUP)	EFUP-E
	No hazardous substances above the limits

EU REACH SVHC

REACH candidate substance (CAS No.)	No substance above 0.1 wt%
-------------------------------------	----------------------------

1554937

<https://www.phoenixcontact.com/us/products/1554937>

Accessories

UCT-WMT (23X4) - Conductor marker

0801453

<https://www.phoenixcontact.com/us/products/0801453>



Conductor marker, Sheet, white, unlabeled, can be labeled with: TOPMARK NEO, TOPMARK LASER, BLUEMARK ID COLOR, BLUEMARK ID, BLUEMARK CLED, THERMOMARK PRIME, THERMOMARK CARD 2.0, THERMOMARK CARD, mounting type: insert, cable diameter range: 1.5 ... 35 mm, lettering field size: 23 x 4 mm, Number of individual labels: 30

UC-WMT (23X4) - Conductor marker

0819411

<https://www.phoenixcontact.com/us/products/0819411>



Conductor marker, Sheet, white, unlabeled, can be labeled with: BLUEMARK ID COLOR, BLUEMARK ID, BLUEMARK CLED, PLOTMARK, CMS-P1-PLOTTER, mounting type: insert, cable diameter range: 1.5 ... 35 mm, lettering field size: 23 x 4 mm, Number of individual labels: 24

SAC-12P-10,0-PVC/FR SCO - Sensor/actuator cable



1554937

<https://www.phoenixcontact.com/us/products/1554937>

US-WMT (23X4) - Cable marker

0828769

<https://www.phoenixcontact.com/us/products/0828769>



Cable marker, Card, white, unlabeled, can be labeled with: BLUEMARK ID COLOR, BLUEMARK ID, THERMOMARK PRIME, THERMOMARK CARD 2.0, THERMOMARK CARD, mounting type: slide-on, cable diameter range: 1.5 ... 35 mm, lettering field size: 23 x 4 mm, Number of individual labels: 56

WMTW (23X4)R - Cable marker

0831004

<https://www.phoenixcontact.com/us/products/0831004>



Cable marker, Roll, white, unlabeled, can be labeled with: THERMOMARK E.300 (D)/600 (D), THERMOMARK ROLL 2.0, THERMOMARK ROLL, THERMOMARK ROLL X1, THERMOMARK ROLLMASTER 300/600, THERMOMARK X1.2, mounting type: insert, cable diameter range: 1.5 ... 35 mm, lettering field size: 23 x 4 mm, Number of individual labels: 3000

SAC-12P-10,0-PVC/FR SCO - Sensor/actuator cable



1554937

<https://www.phoenixcontact.com/us/products/1554937>

WP-CTA POM 13,0 BK - Protective hose adapter

1422884

<https://www.phoenixcontact.com/us/products/1422884>



Protective hose adapter, for corrugated hoses with a nominal size of 13 (10 x 13), corrugated in parallel

WP-PA HF 13,0 BK - Protective hose

3240681

<https://www.phoenixcontact.com/us/products/3240681>



Protective hose, material: PA 6, UV-resistant: yes, flexible, degree of protection: IP68, color: black, flammability rating in acc. with UL 94: V0, inner diameter: 10 mm, Total length: 50 m

SAC-12P-10,0-PVC/FR SCO - Sensor/actuator cable



1554937

<https://www.phoenixcontact.com/us/products/1554937>

WP-PA HF-HB 13,0 BK - Protective hose

3240839

<https://www.phoenixcontact.com/us/products/3240839>



Protective hose, material: PA 6, UV-resistant: yes, flexible, degree of protection: IP68, color: black, flammability rating in acc. with UL 94: HB, inner diameter: 10 mm, Total length: 50 m

PROT-M12 MS-PA-CHAIN - Screw plug

1430899

<https://www.phoenixcontact.com/us/products/1430899>

M12 sealing cap with fixing band, for sensor cables, for free M12 sockets



SAC-12P-10,0-PVC/FR SCO - Sensor/actuator cable



1554937

<https://www.phoenixcontact.com/us/products/1554937>

SAC-M12-EXCLIP-F - Locking clip

1558991

<https://www.phoenixcontact.com/us/products/1558991>



Locking clip for the socket side of sensor/actuator cables with M12 connector and M12 connectors for assembly, for knurl diameter: 15 mm or for Allen key with a wrench size of 14 mm, prevents the disconnection of plug-in connections without tools

B-STIFT - Marker pen

1051993

<https://www.phoenixcontact.com/us/products/1051993>



Marker pen, for manual labeling of unprinted Zack strips, smear-proof and waterproof, line thickness 0.5 mm

SAC-12P-10,0-PVC/FR SCO - Sensor/actuator cable



1554937

<https://www.phoenixcontact.com/us/products/1554937>

CUTFOX-S VDE - Diagonal cutter

1212207

<https://www.phoenixcontact.com/us/products/1212207>



Diagonal cutter for hard (piano wire) and soft wires, VDE 1000 V AC/1500 V DC tested

WIREFOX SAC-1 - Stripping tool

1212757

<https://www.phoenixcontact.com/us/products/1212757>



Stripping pliers, for halogen-free sensor/actuator cables (SAC cables), with PUR and PVC insulation, from Ø of 3.2 to 4.4 mm, any stripping length

SAC-12P-10,0-PVC/FR SCO - Sensor/actuator cable



1554937

<https://www.phoenixcontact.com/us/products/1554937>

WIREFOX SAC - Stripping tool

1212623

<https://www.phoenixcontact.com/us/products/1212623>



Stripping pliers, for halogen-free sensor/actuator cables (SAC cables), with PUR and PVC insulation, from \varnothing of 4.4 to 7 mm, any stripping length

WIREFOX 10 - Stripping tool

1212150

<https://www.phoenixcontact.com/us/products/1212150>



Stripping tool, for cables and conductors from 0.02 - 10 mm², self-adjusting, stripping length of up to 18 mm, cutting capacity of up to 10 mm² stranded/1.5 mm² solid, replaceable stripping blade

SAC-12P-10,0-PVC/FR SCO - Sensor/actuator cable



1554937

<https://www.phoenixcontact.com/us/products/1554937>

TSD 04 SAC - Torque screwdriver

1208429

<https://www.phoenixcontact.com/us/products/1208429>



Torque screwdriver, with preset torque of 0.4 Nm and 4 mm hexagonal drive for M12 connectors

TSD-M 1,2NM - Torque screwdriver

1212224

<https://www.phoenixcontact.com/us/products/1212224>



Torque screw driver, accuracy as per EN ISO 6789 standard, adjustable from 0.3 - 1.2 Nm

SAC-12P-10,0-PVC/FR SCO - Sensor/actuator cable



1554937

<https://www.phoenixcontact.com/us/products/1554937>

TSD-M SAC-BIT ADAPTER - Adapter insert

1212600

<https://www.phoenixcontact.com/us/products/1212600>



Adapter bit for TSD-M...torque tools, E6.3-1/4" drive with 4 mm hexagon to accommodate SAC bits

SAC BIT M12-D15 - Tool

1208432

<https://www.phoenixcontact.com/us/products/1208432>



Nut for assembling sensor/actuator cables with M12 connector and M12 connectors for assembly, with a knurl diameter of 15 mm, for 4 mm hexagonal drive

Phoenix Contact 2024 © - all rights reserved
<https://www.phoenixcontact.com>

Phoenix Contact USA
586 Fulling Mill Road
Middletown, PA 17057, United States
(+717) 944-1300
info@phoenixcon.com