

**SPECIFICATION SHEET**

<b>SPECIFICATION SHEET NO.</b>	Q0608- CRRCR03JB1KS01
<b>DATE</b>	June. 8, 2023
<b>REVISION</b>	A0
<b>DESCRIPTION</b>	General purpose Chip Resistors, 0603 (1608 Metric), RCR03 Series, Dimension L1.60*W0.80*H0.45mm, 2 Terminations, Tolerance: ±5.0%, Resistance 1K ohm, Dissipation Max. 1/10W @ 70°C, Temperature Coefficient Rate (TCR) Max. ±200ppm/°C Operating Temp. Range -55°C ~+155°C Package in Tape/Reel, 5,000pcs/Reel RoHS/RoHS III compliant and HF
<b>CUSTOMER</b>	
<b>CUSTOMER PART NUMBER</b>	
<b>CROSS REF. PART NUMBER</b>	
<b>ORIGINAL PART NUMBER</b>	Aillen RCR03JB1K
<b>PART CODE</b>	CRRCR03JB1KS01

**VENDOR APPROVE**

Issued/Checked/Approved



DATE: June. 8, 2023

**CUSTOMER APPROVE**

DATE:

6/8/2023

## GENERAL PURPOSE CHIP RESISTORS RCR03 SERIES

### DESCRIPTION

The LEAD FREE resistors are constructed in a high grade ceramic body (aluminum oxide). Internal metal electrodes are added at each end and connected by a LEAD FREE resistive paste that is applied to the top surface of the substrate. The composition of the paste is adjusted to give the approximate resistance required and the value is trimmed to nominated value within tolerance which controlled by laser trimming of this resistive layer. The resistive layer is covered with a BLACK protective coat. Finally, the two external end terminations are added. For ease of soldering the outer layer of these end terminations is a Tin ( LEAD FREE ) alloy.



### MAIN FEATURE

- High reliability and stability
- Reduced size of final equipment
- Lower assembly costs
- Higher component and equipment reliability
- RoHS exemption free and Lead free products

### APPLICATION

- Consumer electrical equipment
- Automotive application
- EDP, Computer application
- Telecom application

**RFQ**

[Request For Quotation](#)

### PART CODE GUIDE

CRRCR	03	J	B	1K	S01
1	2	3	4	5	6

1) **CRRCR**: Product code for General purpose Chip Resistors

2) **03**: Size Code, 0603 (1608 Metric), RCR03 Series, Dimension L1.60\*W0.80\*H0.45mm,

3) **J**: Resistance Range Tolerance Code, P: Jumper; B: +/-0.1%; D: +/-0.5%; F: +/-1%; J: +/-5%

4) **B**: Package Code, A: 4Kpcs/7"Reel; B:5kpcs/7"Reel; C:10kpcs/7"Reel; M:15kpcs/7"Reel; D:10kpcs/10"Reel; E:20kpcs/10"Reel,

5) **1K**: Resistance value code. 0R: 0ohm; R56: 0.56ohm; 15R: 15ohm; 20R: 20ohm; 22R1: 22.1ohm; 51R: 51ohm; 100R: 100ohm;

180R: 180ohm; 1K:1Kohm; 1K3: 1.3Kohm; 4K7: 4.7Kohm; 10K: 10Kohm; 10K5: 10.5Kohm; 68K: 68 Kohm; 100K: 100Kohm; 820K:

820Kohm; 1M: 1.0Mohm; 1M2: 1.2Mohm

6) **S01**: Internal control code, digits and letter; Blank: N/A

6/8/2023

**GENERAL PURPOSE CHIP RESISTORS RCR03 SERIES**

**DIMENSION (Unit: mm)**

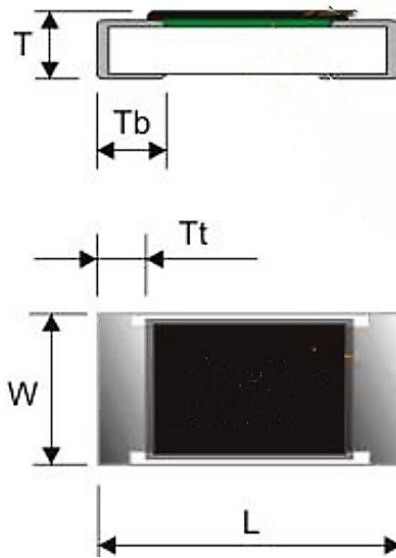
Image for reference



**General Marking:**

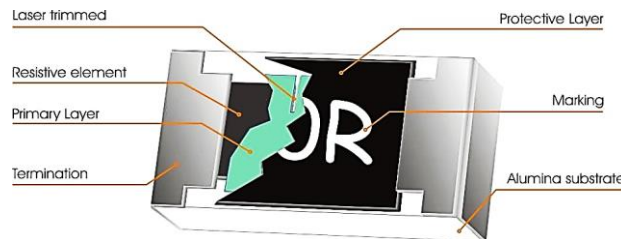
RCR03 has no marking.

RCR03 series



Item	Dimension
L	1.60±0.10
W	0.80±0.10
T	0.45±0.15
T b	0.30±0.15
T t	0.30±0.10

**Resistors Construction For Reference**



**GENERAL PURPOSE CHIP RESISTORS RCR03 SERIES**
**GENERAL ELECTRONICAL CHARACTERISTICS**

Item	Unit	Symbol	Characteristic	Condition
<b>Product Name</b>		CRRCR	General purpose Chip Resistors	
<b>Size</b>		03	RCR03 Series, L1.60*W0.80*H0.45mm	
<b>Resistance Range</b>	Ω		1K	
<b>Resistance Tolerance</b>	%	J	+/-5	
<b>TCR</b>	<b>R≥1MΩ</b>	ppm/°C	≤±200	Resistance Tolerance:±1%
	<b>1MΩ &gt; R &gt; 10Ω</b>		≤±100	
	<b>R≤10Ω</b>		-300~+500	
<b>TCR</b>	<b>R≥1MΩ</b>	ppm/°C	≤±200	Resistance Tolerance:±5%
	<b>1MΩ &gt; R &gt; 10Ω</b>		≤±200	
	<b>R≤10Ω</b>		-300~+500	
<b>Max. Dissipation</b>	W		1/10	@ Tamb=70°C
<b>Operating Temperature</b>	°C		-55 ~+155	
<b>Max. Operation Voltage</b>	V		50	@DC or RMS
<b>Max. Overload Voltage</b>	V		100	@DC or RMS

**Note**

- 1) This is the maximum voltage that may be continuously supplied to the resistor element, see "IEC publication 60115-8"
- 2) Max. Operation Voltage : So called RCWV (Rated Continuous Working Voltage) is determined by  

$$RCWV = \sqrt{\text{Rated Power} \times \text{Resistance Value}}$$
or Max. RCWV listed above, whichever is lower.
- 3) The resistance of Jumper is defined as max. 0.05Ω, Test condition for jumper (0 Ω)

Item	Unit	Symbol	Characteristic	Condition
Power Rating At 70°C	W		1/10	
Max. Resistance	mΩ		50	
Rated Current	A		1.0	
Peak Current	A		3.0	
Operating Temperature	°C		-55 ~+155	

## GENERAL PURPOSE CHIP RESISTORS RCR03 SERIES

### PRODUCT CHARACTERIZATION

Standard values of nominal resistance are taken from the E24 & E96 series for resistors with a tolerance of  $\pm 0.1\%$ ,  $\pm 0.5\%$ ,  $\pm 1\%$  &  $\pm 5\%$ . The values of the E24/E96 series are in accordance with "IEC publication 60063"

### DERATING

The power that the resistor can dissipate depends on the operating temperature; see Fig.1



Fig 1 Maximum dissipation in percentage of rated power as a function of the ambient temperature for RCR03

### MOUNTING

Due to their rectangular shapes and small tolerances, Surface Mountable Resistors are suitable for handling by automatic placement systems. Chip placement can be on ceramic substrates and printed-circuit boards (PCBs). Electrical connection to the circuit is by individual soldering condition. The end terminations guarantee a reliable contact.

**GENERAL PURPOSE CHIP RESISTORS RCR03 SERIES**

**REFLOW SOLDERING CONDITION**

The robust construction of chip resistors allows them to be completely immersed in a solder bath of 260 °C for 10 seconds. Therefore, it is possible to mount Surface Mount Resistors on one side of a PCB and other discrete components on the reverse (mixed PCBs). Surface Mount Resistors are tested for solderability at 235 °C during 2 seconds. The test condition for no leaching is 260°C for 30 seconds. Typical examples of soldering processes that provide reliable joints without any damage are given in below.

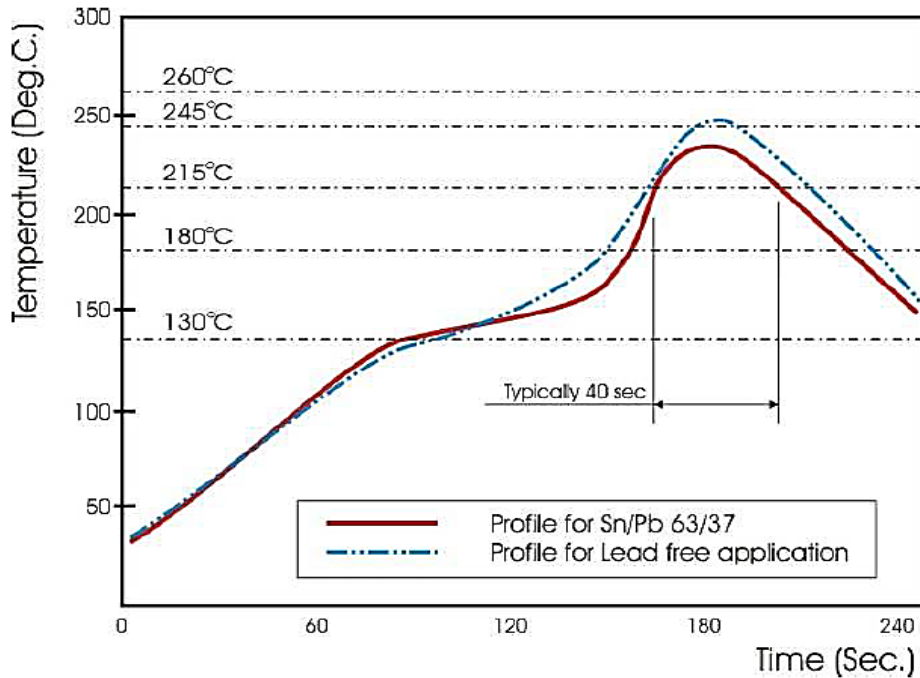


Fig 2. Infrared soldering profile for Chip Resistors

LEAD content: below 100ppm with reference to IEC62321, determination of LEAD by ICP-AES

**GENERAL PURPOSE CHIP RESISTORS RCR03**
**TEST AND REQUIREMENT (JIS C 5201-1 : 1998)**

TEST	PROCEDURE / TEST METHOD	REQUIREMENT	
		Resistor	0Ω
<b>DC resistance Clause 4.5</b>	DC resistance values measured at the test voltages specified below :  <10Ω@0.1V, <100Ω@0.3V, <1KΩ@1.0V, <10KΩ@3V, <100KΩ@10V, <1MΩ@25V, <10MΩ@30V	Within the specified tolerance	<50mΩ
<b>Temperature Coefficient of Resistance(T.C.R) Clause 4.8</b>	Natural resistance change per change in degree centigrade. $\frac{R_2 - R_1}{R_1(t_2 - t_1)} \times 10^6 \text{ (ppm/}^\circ\text{C)}$ t1 : 20°C+5°C-1°C R1 : Resistance at reference temperature R2: Resistance at test temperature	Refer to “QUICK REFERENCE DATA”	N/a
<b>Short time overload (S.T.O.L) Clause 4.13</b>	Permanent resistance change after a 5second application of a voltage 2.5 times RCWV or the maximum overload voltage specified in the above list, whichever is less.	1% tol.:Δ R/R max. ±(1%+0.10Ω )  5% tol.:Δ R/R max. ±(2%+0.10Ω )	<50mΩ
<b>Resistance to soldering heat(R.S.H) Clause 4.18</b>	Un-mounted chips completely immersed for 10±1second in a SAC solder bath at 260C±5°C	1% tol.:Δ R/R max. ±(0.5%+0.10Ω )  5% tol.:Δ R/R max. ±(1%+0.10Ω )	<50mΩ
<b>Solderability Clause 4.17</b>	Un-mounted chips completely immersed for 2±0.5second in a SAC solder bath at 235C±5C	95% coverage min., good tinning and no visible damage	
<b>Temperature cycling Clause 4.19</b>	30 minutes at -55°C±3°C, 2~3 minutes at 20°C+5°C-1°C, 30 minutes at +155°C±3°C, 2~3 minutes at 20°C+5°C-1°C, total 5 continuous cycles	1% tol.:Δ R/R max. ±(0.5%+0.10Ω )  5% tol.:Δ R/R max. ±(1%+0.10Ω )	<50mΩ
<b>Damp Heat (Load life in humidity) Clause 4.24</b>	1000 +48/-0 hours, loaded with RCWV or Vmax in humidity chamber controller at 40°C±2°C and 90~95% relative humidity.	1% tol.:Δ R/R max. ±(1%+0.10Ω )  5% tol.:Δ R/R max. ±(2%+0.10Ω )	<50mΩ

**GENERAL PURPOSE CHIP RESISTORS RCR03**

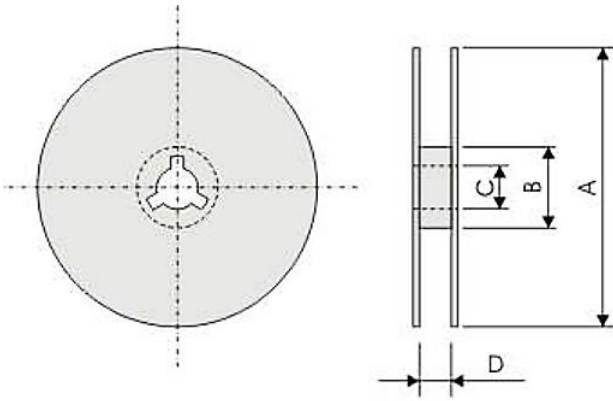
**TEST AND REQUIREMENT (JIS C 5201-1 : 1998)**

TEST	PROCEDURE / TEST METHOD	REQUIREMENT	
		Resistor	0Ω
<b>Load Life (Endurance)</b> <b>Clause 4.25</b>	1000+48/-0 hours; loaded with RCWV or Vmax in chamber controller 70±2°C, 1.5 hours on and 0.5 hours off	1% tol.: Δ R/R max. ±(1%+0.10Ω )  5% tol.: Δ R/R max. ±(2%+0.10Ω )	<50mΩ
<b>Bending strength</b> <b>Clause 4.33</b>	Resistors mounted on a 90mm glass epoxy resin PCB(FR4), bending once 3mm for 10sec, 5mm for WR04	1% tol.: ΔR/R max. ±(0.5%+0.10Ω)  5% tol.: ΔR/R max. ±(1%+0.10Ω)	<50mΩ
<b>Adhesion</b> <b>Clause 4.32</b>	Pressurizing force: 5N, Test time: 10±1sec.	No remarkable damage or removal of the terminations	

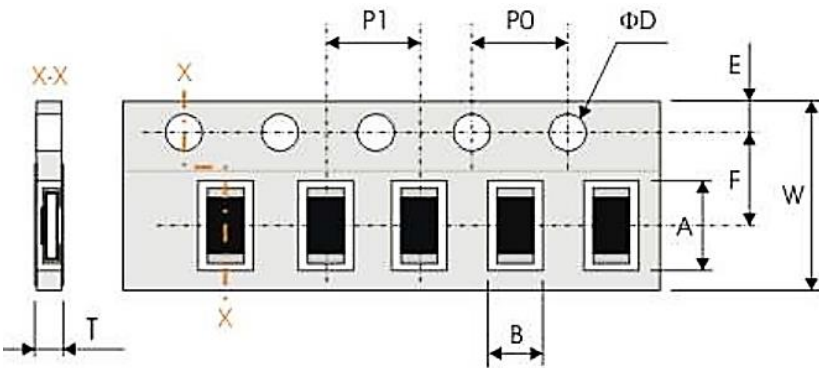


**GENERAL PURPOSE CHIP RESISTORS RCR03 SERIES**
**REEL DIMENSION (Unit: mm)**

7": 5,000pcs/Reel



Code	Dimension 7"
A	178+/-2.0
B	60.0 +/-1.0
C	13.0+/-0.20
D	9.0+/-0.5

**TAPE DIMENSION (Unit: mm)**


Code	Dimension
A	1.90±0.20
B	1.10±0.20
W	8.00±0.30
F	3.50±0.20
E	1.75±0.10
P 1	4.00±0.10
P0	4.00±0.10
ΦD	1.50±0.10
T	0.65±0.05

**TAPING QUANTITY AND TAPE MATERIAL**

Tape	Paper Tape						Embossed Tape	Bulk Cassette
	4 mm Pitch			2 mm Pitch			4 mm Pitch	
Reel Size	7"	10"	13"	7"	10"	13"	7"	
RCR03	5000	10000	20000	-	-	-	-	5000

## GENERAL PURPOSE CHIP RESISTORS RCR03 SERIES

### PERFORMANCE OF TAPING

#### Strength of Carrier Tape and Top Cover Tape

Carrier Tape: When a tensile force 1.02kgf is applied in the direction of unreeling the tape, the tape shall withstand this force. Top cover Tape: When a tensile force 1.02kgf is applied to the tape, the tape shall withstand this force.

#### Peel Force of Top Cover Tape

Unless otherwise specified, the peel force of top cover tape shall be 10.2 to 71.4 g f when the top cover tape is pulled at a speed of 300mm/min with the angle between the taped during peel and the direction of unreeling maintained at 165 to 180° as illustrated in Fig.



### DISCLAIMER

NextGen Component, Inc. reserves the right to make changes to the product(s) and or information contained herein without notice. No liability is assumed as a result of their use or application. No rights under any patent accompany the sale of any such product(s) or information