



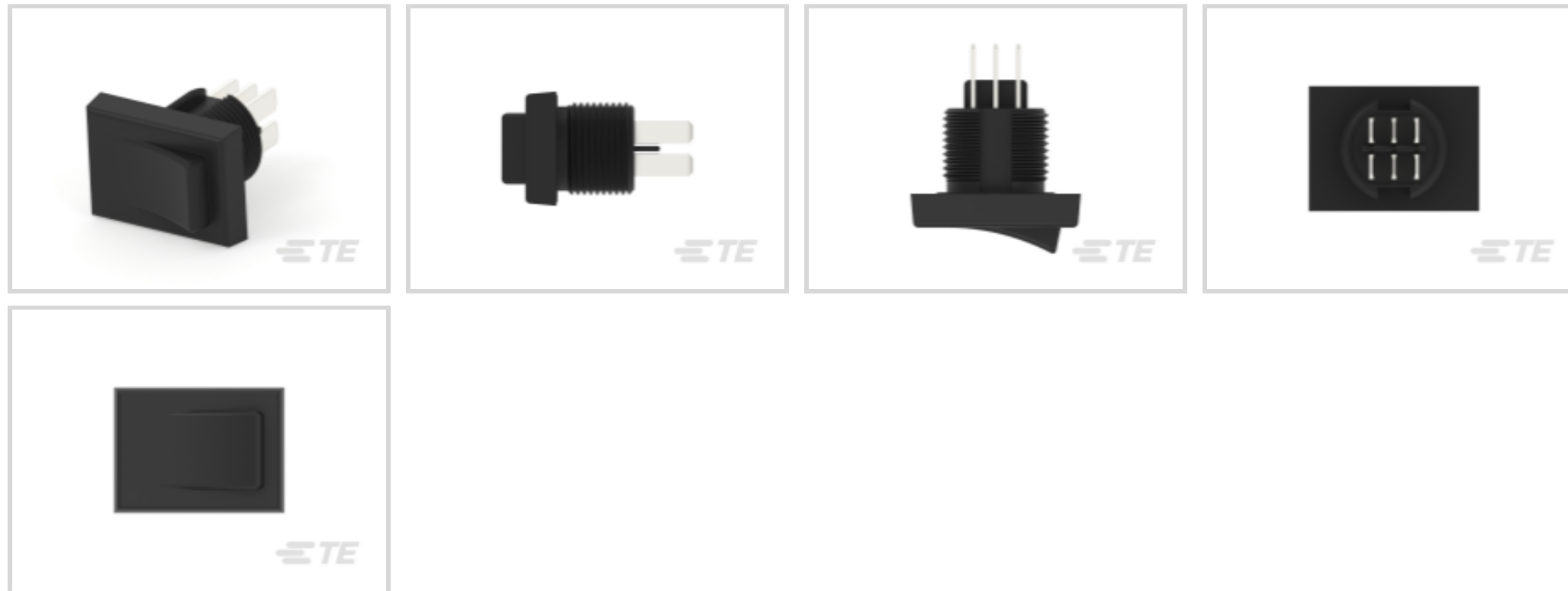
Alcoswitch | Alcoswitch TRD

TE Internal #: 1825423-1

Rocker Switches, Power, Panel Cutout Size .445 x .475 in [11.3 x 12.06 mm], Silver, Alcoswitch TRD

[View on TE.com >](#)

Switches > Rocker Switches



Switch Type: **Power**

Indicator/Imprint Legend: **None**

Panel Cutout Size: **11.3 x 12.06 mm [.445 x .475 in]**

Switch Contact Plating Material: **Silver**

Configuration (Pole-Throw): **Double Pole - Double Throw**

Features

Product Type Features

Switch Type	Power
Actuator Type	Top
Actuator Style	Rocker
Switch Connection Type	Quick Connect Terminal

Configuration Features

Indicator/Imprint Legend	None
Panel Cutout Size	11.3 x 12.06 mm [.445 x .475 in]
Configuration (Pole-Throw)	Double Pole - Double Throw
Operating Function	On None On

Electrical Characteristics

Contact Current Rating	3 A
Operating Voltage Range	28 VDC

Body Features

Product Orientation	Vertical
---------------------	----------



Actuator Color Black

Contact Features

Switch Contact Plating Material Silver

Housing Features

Process Sealed No

Product Compliance

[For compliance documentation, visit the product page on TE.com>](#)

EU RoHS Directive 2011/65/EU Compliant with Exemptions

EU ELV Directive 2000/53/EC Compliant with Exemptions

China RoHS 2 Directive MIIT Order No 32, 2016 Restricted Materials Above Threshold

EU REACH Regulation (EC) No. 1907/2006
 Current ECHA Candidate List: JAN 2024 (240)
 Candidate List Declared Against: JUNE 2023 (235)
 SVHC > Threshold:
 Pb (4% in Component)
Article Safe Usage Statements:
 Do not eat, drink or smoke when using this product. Wash thoroughly after handling. Recycle if possible and dispose of the article by following all applicable governmental regulations relevant to your geographic location.

Halogen Content Not Low Halogen - contains Br or Cl > 900 ppm.

Solder Process Capability Not applicable for solder process capability

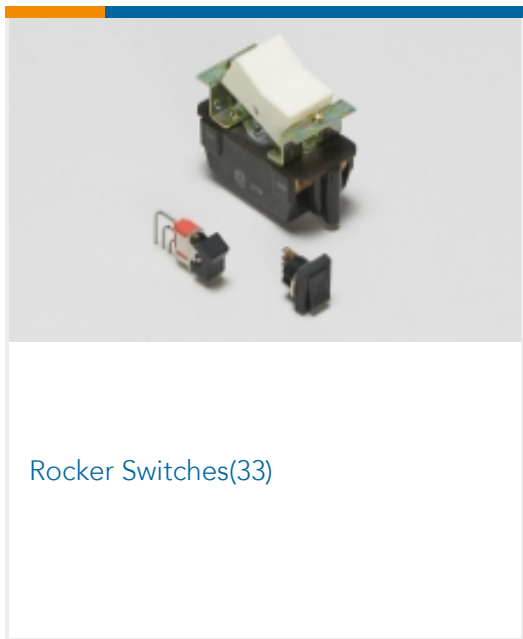
Product Compliance Disclaimer

This information is provided based on reasonable inquiry of our suppliers and represents our current actual knowledge based on the information they provided. This information is subject to change. The part numbers that TE has identified as EU RoHS compliant have a maximum concentration of 0.1% by weight in homogenous materials for lead, hexavalent chromium, mercury, PBB, PBDE, DBP, BBP, DEHP, DIBP, and 0.01% for cadmium, or qualify for an exemption to these limits as defined in the Annexes of Directive 2011/65/EU (RoHS2). Finished electrical and electronic equipment products will be CE marked as required by Directive 2011/65/EU. Components may not be CE marked. Additionally, the part numbers that TE has identified as EU ELV compliant have a maximum concentration of 0.1% by weight in homogenous materials for lead, hexavalent chromium, and mercury, and 0.01% for cadmium, or qualify for an exemption to these limits as defined in the Annexes of Directive 2000/53/EC (ELV). Regarding the REACH Regulation, the information TE provides on SVHC in articles for this part number is based on the latest European Chemicals Agency (ECHA) 'Guidance on requirements for substances in articles' posted at this URL: <https://echa.europa.eu/guidance-documents/guidance-on-reach>

Compatible Parts

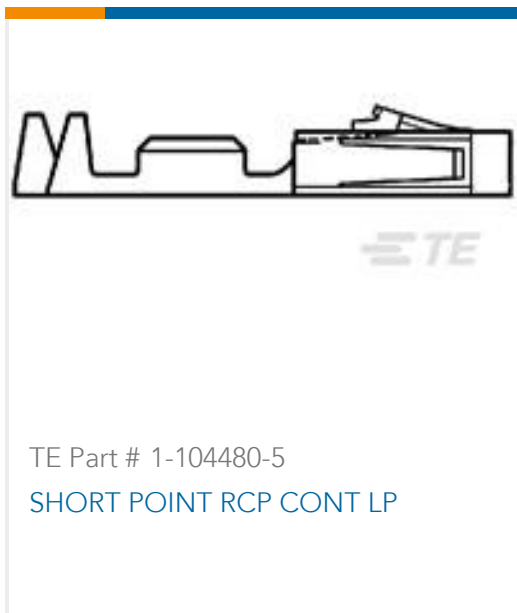


Also in the Series | Alcoswitch TRD



Customers Also Bought





Documents

Product Drawings

[TRD23N10QC04 rocker switch](#)

English

CAD Files

[3D PDF](#)

3D

Customer View Model

[ENG_CVM_CVM_1825423-1_A.2d_dxf.zip](#)

English

Customer View Model

[ENG_CVM_CVM_1825423-1_A.3d_igs.zip](#)

English

Customer View Model

[ENG_CVM_CVM_1825423-1_A.3d_stp.zip](#)

English

By downloading the CAD file I accept and agree to the [Terms and Conditions](#) of use.

Datasheets & Catalog Pages

[SWITCHES_CORE_PROGRAM_CATALOG](#)

English