



Alcoswitch | Alcoswitch TRD

TE Internal #: 1825420-1

Rocker Switches, Power, Panel Cutout Size .44 x .47 in [11.3 x 12.06 mm], Silver, Alcoswitch TRD

[View on TE.com >](#)

Switches > Rocker Switches



Switch Type: **Power**

Indicator/Imprint Legend: **None**

Panel Cutout Size: **11.3 x 12.06 mm [ .44 x .47 in ]**

Switch Contact Plating Material: **Silver**

Configuration (Pole-Throw): **Single Pole - Double Throw**

## Features

### Product Type Features

Switch Type	Power
Actuator Type	Top
Actuator Style	Rocker
Switch Connection Type	Wire Lugs

### Configuration Features

Indicator/Imprint Legend	None
Panel Cutout Size	11.3 x 12.06 mm [.44 x .47 in]
Configuration (Pole-Throw)	Single Pole - Double Throw
Operating Function	On None On

### Electrical Characteristics

Contact Current Rating	3 A
Operating Voltage Range	28 VDC

### Body Features

Product Orientation	Vertical
---------------------	----------



Actuator Color Black

**Contact Features**

Switch Contact Plating Material Silver

**Housing Features**

Process Sealed No

**Product Compliance**

[For compliance documentation, visit the product page on TE.com>](#)

EU RoHS Directive 2011/65/EU Compliant with Exemptions

EU ELV Directive 2000/53/EC Compliant

China RoHS 2 Directive MIIT Order No 32, 2016 Restricted Materials Above Threshold

EU REACH Regulation (EC) No. 1907/2006  
 Current ECHA Candidate List: JAN 2024 (240)  
 Candidate List Declared Against: JUNE 2023 (235)  
 SVHC > Threshold:  
 Pb (4% in Component)

**Article Safe Usage Statements:**  
 Do not eat, drink or smoke when using this product. Wash thoroughly after handling. Recycle if possible and dispose of the article by following all applicable governmental regulations relevant to your geographic location.

Halogen Content Low Halogen - Br, Cl, F, I < 900 ppm per homogenous material. Also BFR/CFR/PVC Free

Solder Process Capability Hand solderable with lead free solder

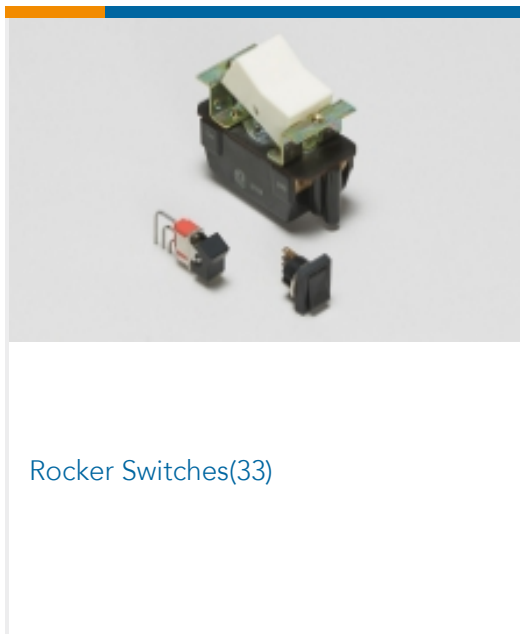
Product Compliance Disclaimer

This information is provided based on reasonable inquiry of our suppliers and represents our current actual knowledge based on the information they provided. This information is subject to change. The part numbers that TE has identified as EU RoHS compliant have a maximum concentration of 0.1% by weight in homogenous materials for lead, hexavalent chromium, mercury, PBB, PBDE, DBP, BBP, DEHP, DIBP, and 0.01% for cadmium, or qualify for an exemption to these limits as defined in the Annexes of Directive 2011/65/EU (RoHS2). Finished electrical and electronic equipment products will be CE marked as required by Directive 2011/65/EU. Components may not be CE marked. Additionally, the part numbers that TE has identified as EU ELV compliant have a maximum concentration of 0.1% by weight in homogenous materials for lead, hexavalent chromium, and mercury, and 0.01% for cadmium, or qualify for an exemption to these limits as defined in the Annexes of Directive 2000/53/EC (ELV). Regarding the REACH Regulations, TE's information on SVHC in articles for this part number is still based on the European Chemical Agency (ECHA) 'Guidance on requirements for substances in articles' (Version: 2, April 2011), applying the 0.1% weight on weight concentration threshold at the finished product level. TE is aware of the European Court of Justice ruling of September 10th, 2015 also known as O5A (Once An Article Always An Article) stating that, in case of 'complex object', the threshold for a SVHC must be applied to both the product as a whole and simultaneously to each of the articles forming part of its composition. TE has evaluated this ruling based on the new ECHA "Guidance on requirements for substances in articles" (June 2017, version 4.0) and will be updating its statements accordingly.

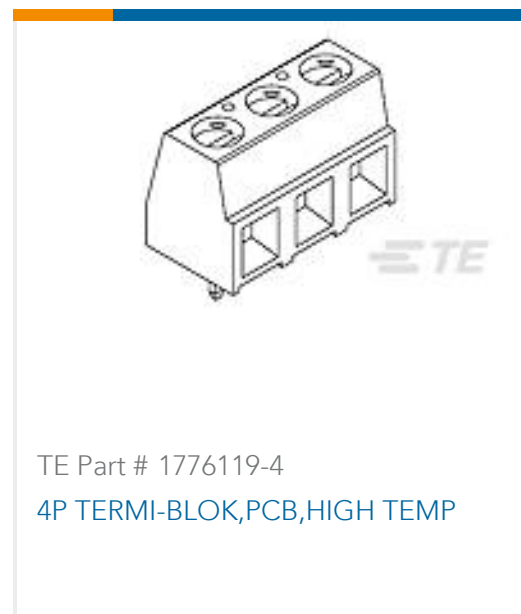
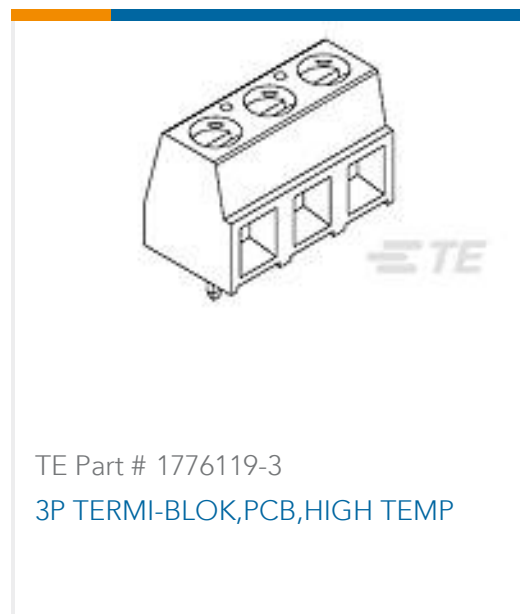
**Compatible Parts**

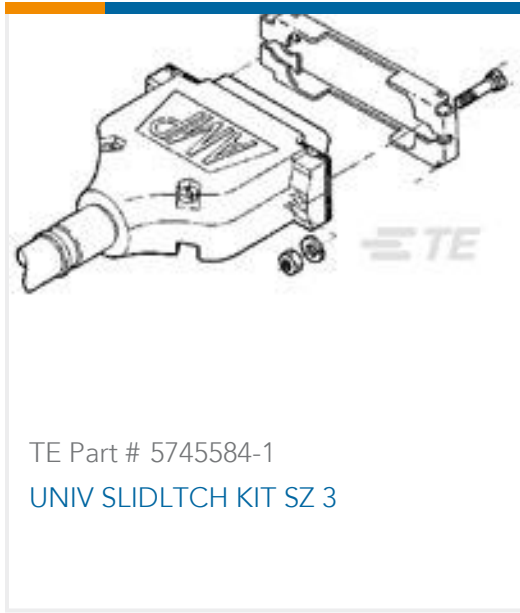


Also in the Series | Alcoswitch TRD



Customers Also Bought





## Documents

### Product Drawings

[TRD13D10WL04 rocker switch](#)

English

### CAD Files

Customer View Model

[ENG\\_CVM\\_CVM\\_1825420-1\\_A.2d\\_dxf.zip](#)

English

[3D PDF](#)

3D

Customer View Model

[ENG\\_CVM\\_CVM\\_1825420-1\\_A.3d\\_igs.zip](#)

English

Customer View Model

[ENG\\_CVM\\_CVM\\_1825420-1\\_A.3d\\_stp.zip](#)

English

By downloading the CAD file I accept and agree to the [Terms and Conditions](#) of use.

### Datasheets & Catalog Pages

[SWITCHES\\_CORE\\_PROGRAM\\_CATALOG](#)

English