

4

3

2

1


THIS DRAWING IS UNPUBLISHED. RELEASED FOR PUBLICATION 20
 © COPYRIGHT 20 BY - ALL RIGHTS RESERVED.

REVISIONS

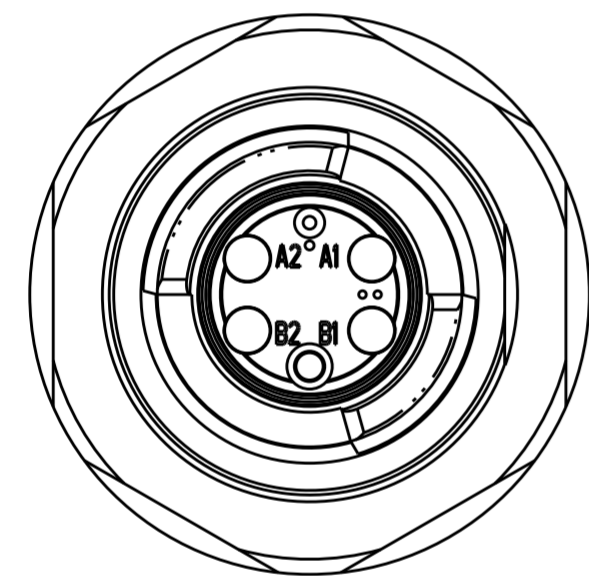
P	LTR	DESCRIPTION	DATE	DWN	APVD
B		ECR-17-009584	18JUL2017	KG	DW
C		ECR-18-000233	09JAN2018	KG	DW

1. ASSEMBLY SHOWN FOR REFERENCE ONLY.
 SHIPPED LOOSE PIECE AS SHOWN ON PAGE 2.

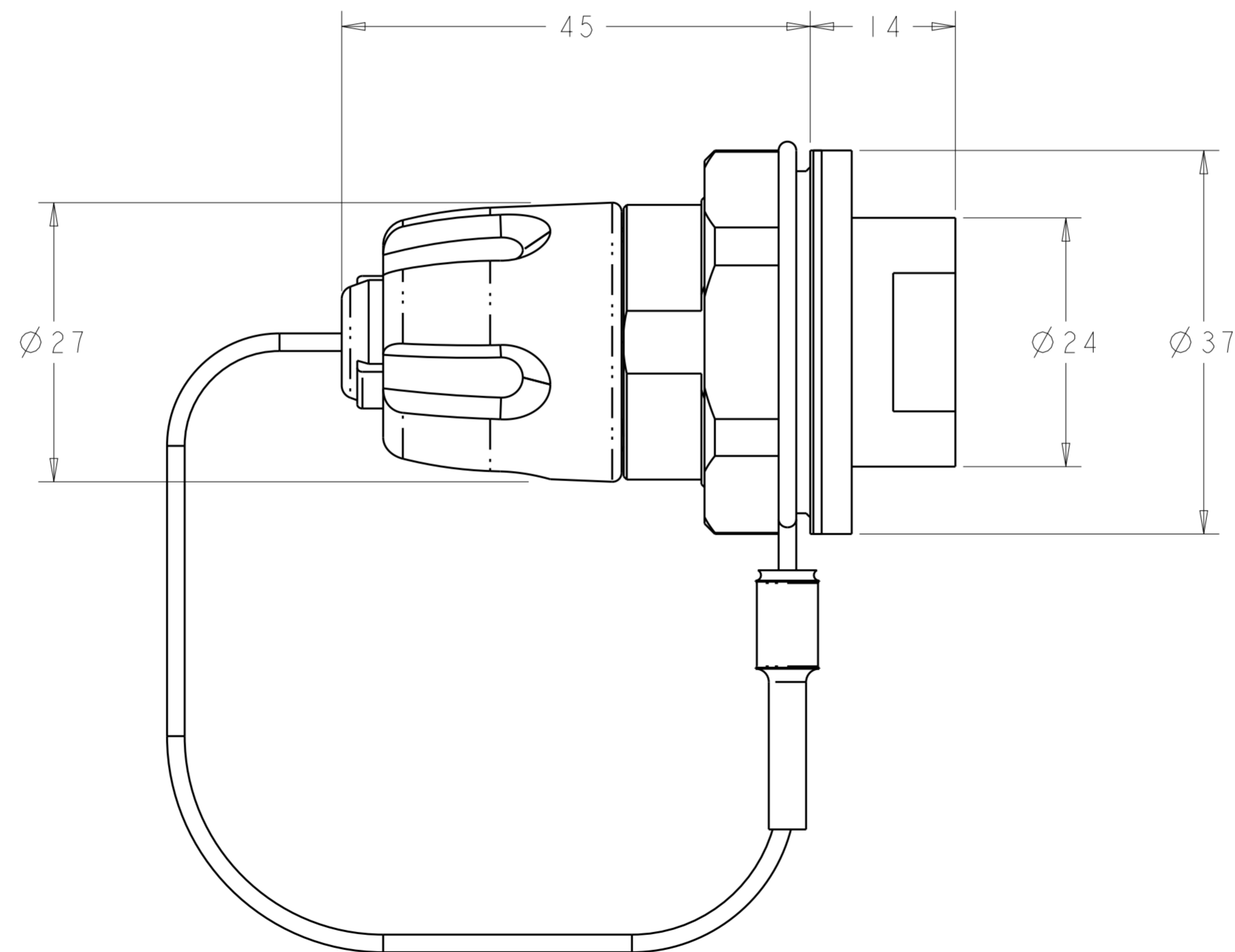
2. ALL ASSEMBLY DIMENSIONS ARE FOR REFERENCE ONLY.

3.  PANEL SHOULD BE BETWEEN 1mm AND 4mm THICKNESS.

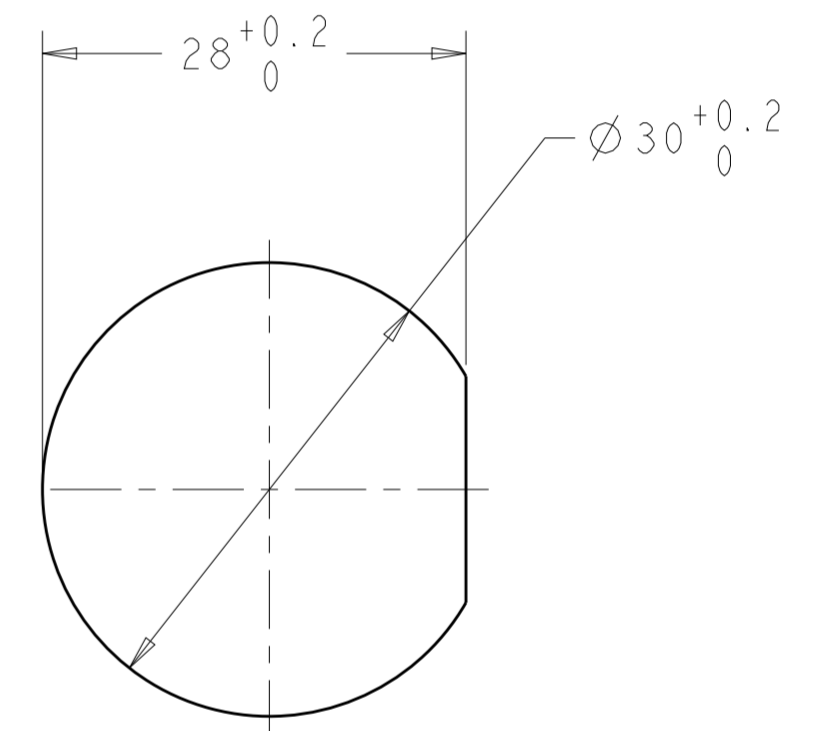
4. ASSEMBLE PER TE CONNECTIVITY 408-10018, AVAILABLE AT
www.te.com/documents.



SHOWN WITHOUT
 PROTECTIVE CAP



Dimensions: 45, 14, $\varnothing 27$, $\varnothing 24$, $\varnothing 37$


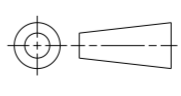


Dimensions: $28^{+0.2}_0$, $\varnothing 30^{+0.2}_0$

 RECOMMENDED PANEL CUT-OUT

1516357-1

PART NUMBER

THIS DRAWING IS A CONTROLLED DOCUMENT.		DWN K. GLATFELTER 08AUG2011	 TE Connectivity	
DIMENSIONS:		CHK D. WERTMAN 08AUG2011		
mm	TOLERANCES UNLESS OTHERWISE SPECIFIED:	APVD D. WERTMAN 08AUG2011	NAME CONNECTOR KIT, PRO BEAM JR., D-HOLE LP BULKHEAD 4x850/1300nm MM	
	0 PLC \pm 1 PLC \pm 2 PLC \pm 3 PLC \pm 4 PLC \pm ANGLES \pm	PRODUCT SPEC -	SIZE A2	CAGE CODE 00779
MATERIAL -	FINISH HARD ANODIZED	APPLICATION SPEC -	DRAWING NO C-1516357	RESTRICTED TO
		WEIGHT -	SCALE 2:1	SHEET 1 OF 2
		CUSTOMER DRAWING		REV C

1471-9 (3/13)

THIS DRAWING IS UNPUBLISHED. RELEASED FOR PUBLICATION 20
 © COPYRIGHT 20 BY - ALL RIGHTS RESERVED.

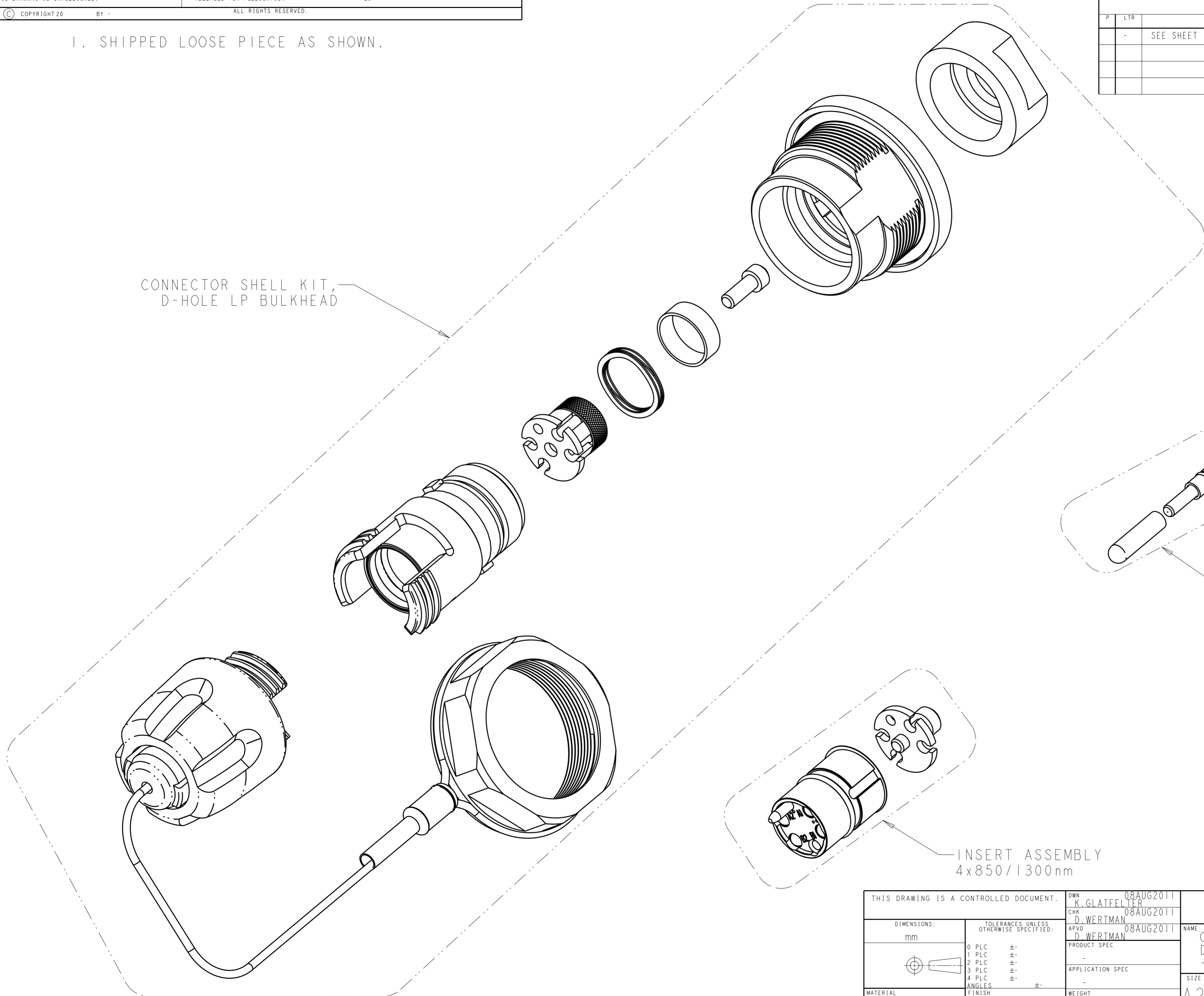
REVISIONS				
P	LTR	DESCRIPTION	DATE	APVD
-	-	SEE SHEET 1	-	-


1. SHIPPED LOOSE PIECE AS SHOWN.

CONNECTOR SHELL KIT,
D-HOLE LP BULKHEAD

FERRULE KIT,
SEALED
4X

INSERT ASSEMBLY
4x850/1300nm



THIS DRAWING IS A CONTROLLED DOCUMENT.		DWN K. GLATFELTER 08AUG2011	 TE Connectivity														
DIMENSIONS:		CHK D. WERTMAN 08AUG2011															
TOLERANCES UNLESS OTHERWISE SPECIFIED:		APVD D. WERTMAN 08AUG2011															
mm		PRODUCT SPEC															
<table border="1"> <tr><td>0 PLC</td><td>±</td></tr> <tr><td>1 PLC</td><td>±</td></tr> <tr><td>2 PLC</td><td>±</td></tr> <tr><td>3 PLC</td><td>±</td></tr> <tr><td>4 PLC</td><td>±</td></tr> <tr><td>ANGLES</td><td>±</td></tr> <tr><td>FINISH</td><td>±</td></tr> </table>		0 PLC	±	1 PLC	±	2 PLC	±	3 PLC	±	4 PLC	±	ANGLES	±	FINISH	±	APPLICATION SPEC	NAME CONNECTOR KIT, PRO BEAM JR., D-HOLE LP BULKHEAD
0 PLC	±																
1 PLC	±																
2 PLC	±																
3 PLC	±																
4 PLC	±																
ANGLES	±																
FINISH	±																
MATERIAL	HARD ANODIZED	WEIGHT	SIZE A200779														
CUSTOMER DRAWING		SCALE 1:1	DRAWING NO. C-1516357														
		SHEET 2 OF 2	RESTRICTED TO REV C														