

No. OF POS	"C"
-019	.950 [24.13]
-038	1.450 [36.83]
-057	1.950 [49.53]
-076	2.450 [62.23]
-095	2.950 [74.93]
-114	3.450 [87.63]
-133	3.950 [100.33]

No OF POSITIONS	COPLANARITY
-019, -038, -057, -076	.004[0.10]
-095, -114, -133	.006[0.15]

MIT-XXX-XX-X-D-X-XX

No OF POSITIONS
 -019, -038, -057, **076,
 **095, **114, **133
 (PER ROW)
 (** = EXISTING CUSTOMERS ONLY)

LEAD STYLE

-01: .1680[4.267]
 -02: .2861[7.267]
 -03: .4042[10.267]
 -04: .6000[15.240]
 -05: .7080[17.983]
 -06: .8350[21.209]

PACKAGING

BLANK: TRAYS (SEE NOTE 12)
 -TR: TAPE & REEL (076 POS MAX)
 (SEE NOTE 14 & 15)
 (N/A ON STYLE -05, -06, -07 & -08)
 -FR: FULL REEL QTY TAPE & REEL
 (076 POS MAX) (SEE NOTE 14 & 15)
 (N/A ON STYLE -05, -06, -07 & -08)

PICK & PLACE OPTION

-K: POLYAMIDE FILM PAD
 (USE K-DOT-.276-.375-.005, SEE FIG 3, SHT 2)

ROW SPECIFICATION

-D: DOUBLE (USE MIT-19-XX-D-XX
 & MITH-19-XX-D-XX)

No OF BANKS

PLATING SPECIFICATION

-F: 3µ" FLASH SELECTIVE GOLD IN CONTACT AREA,
 MATTE TIN ON TAIL
 (USE T-1SXX-XX-F & T-1G5-XX-F) (SEE NOTE 10)
 -L: 10µ" LIGHT SELECTIVE GOLD IN CONTACT AREA,
 MATTE TIN ON TAIL
 (USE T-1SXX-XX-L & T-1G5-XX-L)
 -H: 30µ" HEAVY GOLD IN CONTACT AREA, 3µ" GOLD ON TAIL
 (USE T-1SXX-XX-H & T-1G5-XX-L)
 -C: 50µ" ELECTRO-POLISHED SELECTIVE GOLD IN CONTACT AREA,
 MATTE TIN ON TAIL (USE T-1SXX-XX-C & T-1G5-XX-L)

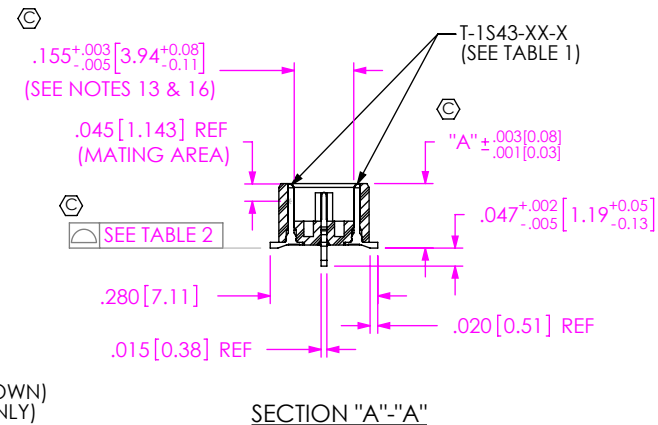
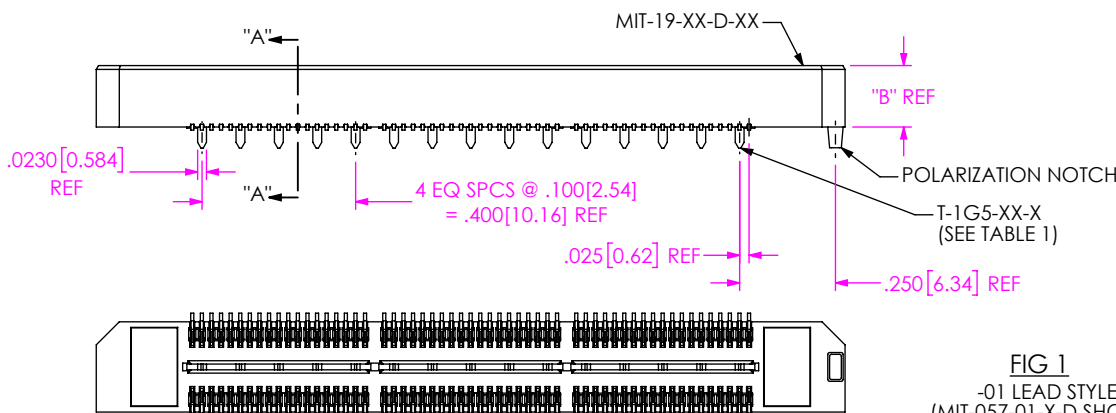
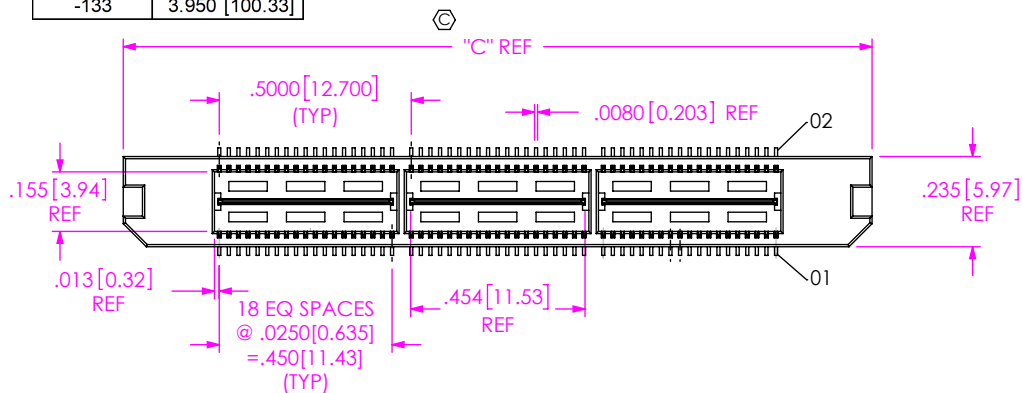
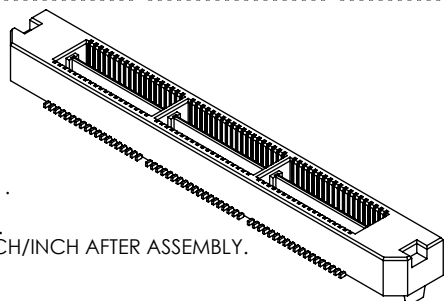


FIG 1
 -01 LEAD STYLE
 (MIT-057-01-X-D SHOWN)
 (STYLE -01 & -02 ONLY)

STYLE	"A"	"B"	"D"	BODY	TERMINAL	GROUND PLANE	SPACER	MATED HEIGHT WITH MIS-01
-01	.1680[4.267]	.1600[4.064]	N/A	MIT-19-01-D-XX	T-1S43-01-X	T-1G5-01-X	N/A	.198[5.03] REF
-02	.2861[7.267]	.2781[7.064]	N/A	MIT-19-02-D-XX	T-1S43-02-X	T-1G5-02-X	N/A	.316[8.03] REF
-03	.4042[10.267]	.3962[10.063]	0.1180[2.997]	MIT-19-02-D-XX	T-1S50-03-X	T-1G5-03-X	MITH-19-01-D-XX	.434[11.02] REF
-04	.6000[15.240]	.5920[15.037]	0.1180[2.997]	MIT-19-02-D-XX	T-1S50-04-X	T-1G5-04-X	MITH-19-01-D-XX	.630[16.00] REF
-05	.7080[17.983]	.7000[17.780]	0.2780[7.061]	MIT-19-02-D-XX	T-1S50-05-X	T-1G5-05-X	MITH-19-02-D-XX	.738[18.75] REF
-06	.8350[21.209]	.8270[21.006]	0.2780[7.061]	MIT-19-02-D-XX	T-1S50-06-X	T-1G5-06-X	MITH-19-02-D-XX	.866[22.00] REF

NOTES:

1. © REPRESENTS A CRITICAL DIMENSION.
2. COPLANARITY: SEE TABLE 2.
3. MAXIMUM BURR ALLOWANCE: .0015[0.038] .
4. MINIMUM TERMINAL RETENTION: 8 OZ.
5. MINIMUM GROUND PLANE RETENTION: 1 LB.
6. MAXIMUM ALLOWABLE BOW: .002[0.05] INCH/INCH AFTER ASSEMBLY.
7. PARTS TO BE MOLDED TO POSITION.
8. NOTE DELETED.
9. NOTE DELETED.
10. -L PLATING CAN BE SUBSTITUTED FOR -F PLATING,
 -L PLATED GROUND PLANE CAN BE SUBSTITUTED FOR -F PLATED GROUND PLANE.
11. NOTE DELETED.
12. PARTS TO BE PACKAGED IN TRAYS. ORIENTATION MAY NOT FOLLOW EIA-960.
13. PIN CAN EXTEND PAST WALL .003[0.08] MAX.
14. ORDERS WILL BE PACKAGED ACCORDING TO THE SAMTEC PACKAGING EFFICIENCY STANDARDS (SPES) FOUND ON WWW.SAMTEC.COM
15. ATTACH LABEL -4x2 TO EACH REEL.
16. ANY CHANGES SHOULD ALSO BE APPLIED TO QTH, QTE, QTS, BTH, BTE, AND BTS.



UNLESS OTHERWISE SPECIFIED,
 DIMENSIONS ARE IN INCHES.
 TOLERANCES ARE:
 DECIMALS .XX: ±.01 [.3]
 .XXX: ±.005 [.13]
 .XXXX: ±.0020 [.051]

PROPRIETARY NOTE
 THIS DOCUMENT CONTAINS CONFIDENTIAL AND PROPRIETARY INFORMATION AND ALL DESIGN, MANUFACTURING, REPRODUCTION, USE, PATENT RIGHTS AND SALES RIGHTS ARE EXPRESSLY RESERVED BY SAMTEC, INC. THIS DOCUMENT SHALL NOT BE DISCLOSED, IN WHOLE OR PART, TO ANY UNAUTHORIZED PERSON OR ENTITY NOR REPRODUCED, TRANSFERRED OR INCORPORATED IN ANY OTHER PROJECT IN ANY MANNER WITHOUT THE EXPRESS WRITTEN CONSENT OF SAMTEC, INC.



520 PARK EAST BLVD, NEW ALBANY, IN 47150
 PHONE: 812-944-6733 FAX: 812-948-5047
 e-Mail: info@SAMTEC.com code: 55322

MATERIAL: DO NOT SCALE DRAWING SHEET SCALE: 2:1
 INSULATOR: LCP, UL94V-0; COLOR: BLACK
 TERMINAL: PHOS BRONZE
 GROUND PLANE: PHOS BRONZE

DESCRIPTION:
 .635mm DOUBLE ROW HS TERMINAL ASSEMBLY

DWG. NO. MIT-XXX-XX-X-D-X-XX

BY: DEAN P 7/7/1999 SHEET 1 OF 2

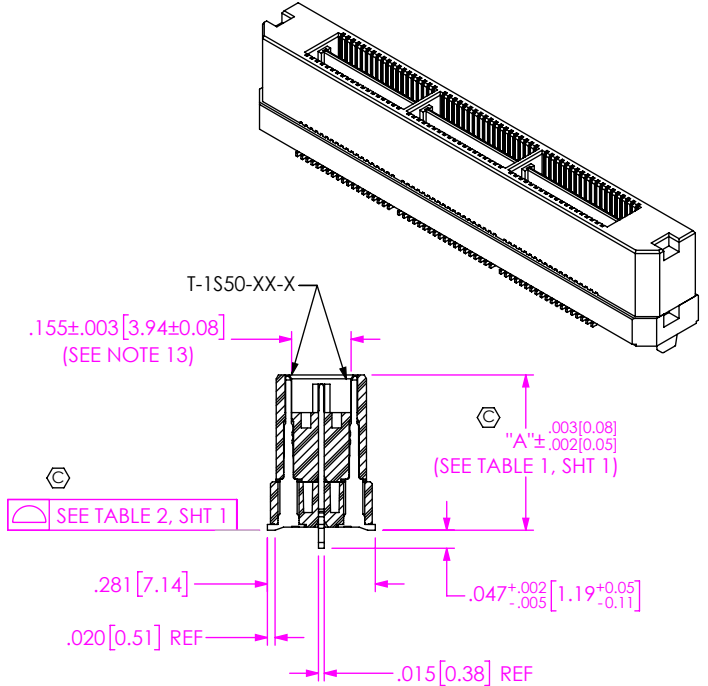
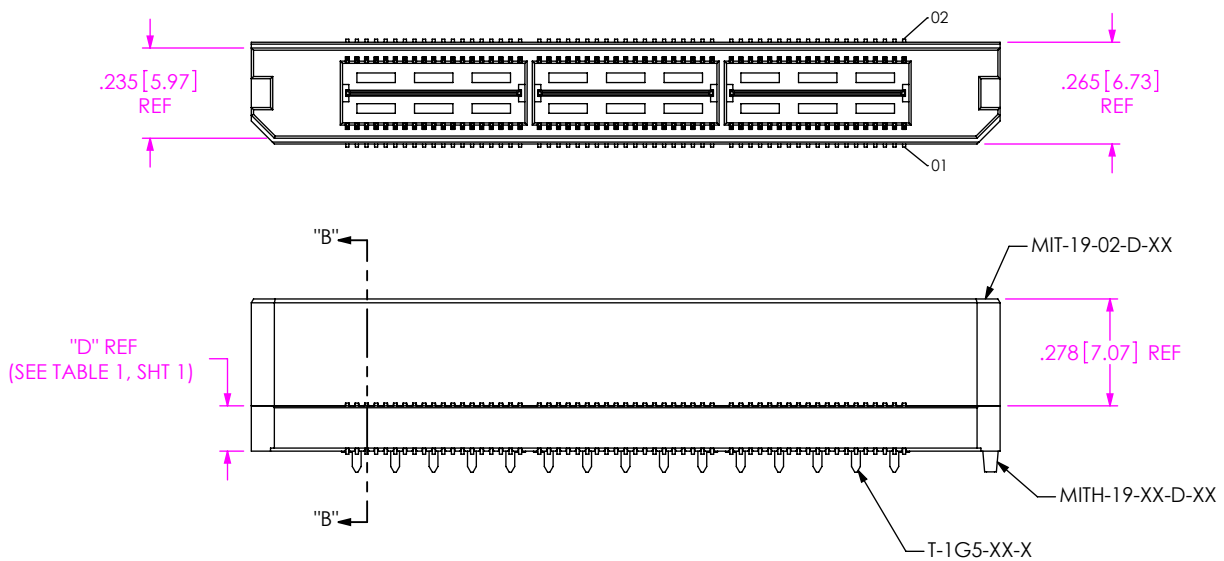


FIG 2
-03 LEAD STYLE
(MIT-057-03-X-D SHOWN)
(DIFFERENT AS SHOWN, OTHERWISE SAME AS FIG 1)
(STYLE -03, -04, -05, & -06)

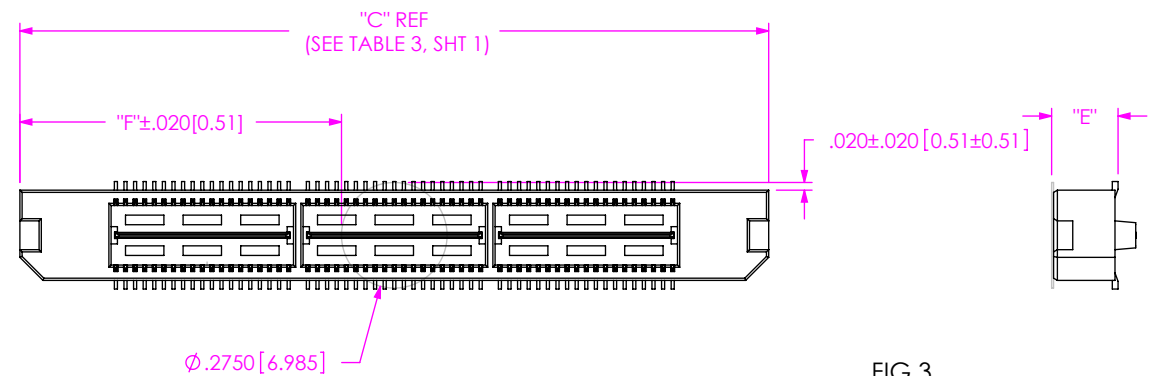


FIG 3
-K: POLYAMIDE FILM PAD OPTION

TABLE 4	
STYLE	"E"
-01	.173 [4.39]
-02	.291 [7.39]
-03	.409 [10.39]
-04	.605 [15.37]
-05	.713 [18.11]
-06	.841 [21.36]

TABLE 5	
No. OF POS	"F"
-019	.338 [8.57]
-038	.588 [14.92]
-057	.838 [21.27]
-076	1.088 [27.62]
-095	1.338 [33.97]
-114	1.588 [40.32]
-133	1.838 [46.67]

CRITICAL DIMENSION INSPECTION INSTRUCTION TABLE	
ASSEMBLY OPERATION	IN PROCESS INSPECTION
FILL T-1SXX	C1, C2, C3, C4, C5, C6
FILL T-1GX-XX-X	C9, C10
ADD -K OPTION	C7, C8

PROPRIETARY NOTE
THIS DOCUMENT CONTAINS CONFIDENTIAL AND PROPRIETARY INFORMATION AND ALL DESIGN, MANUFACTURING, REPRODUCTION, USE, PATENT RIGHTS AND SALES RIGHTS ARE EXPRESSLY RESERVED BY SAMTEC, INC. THIS DOCUMENT SHALL NOT BE DISCLOSED, IN WHOLE OR PART, TO ANY UNAUTHORIZED PERSON OR ENTITY NOR REPRODUCED, TRANSFERRED OR INCORPORATED IN ANY OTHER PROJECT IN ANY MANNER WITHOUT THE EXPRESS WRITTEN CONSENT OF SAMTEC, INC.

DO NOT SCALE DRAWING

SHEET SCALE: 2:1

samtec
520 PARK EAST BLVD, NEW ALBANY, IN 47150
PHONE: 812-944-6733 FAX: 812-948-5047
e-Mail: info@SAMTEC.com code: 55322

DESCRIPTION:
.635mm DOUBLE ROW HS TERMINAL ASSEMBLY

DWG. NO. MIT-XXX-XX-X-D-X-XX

BY: DEAN P 7/7/1999 SHEET 2 OF 2