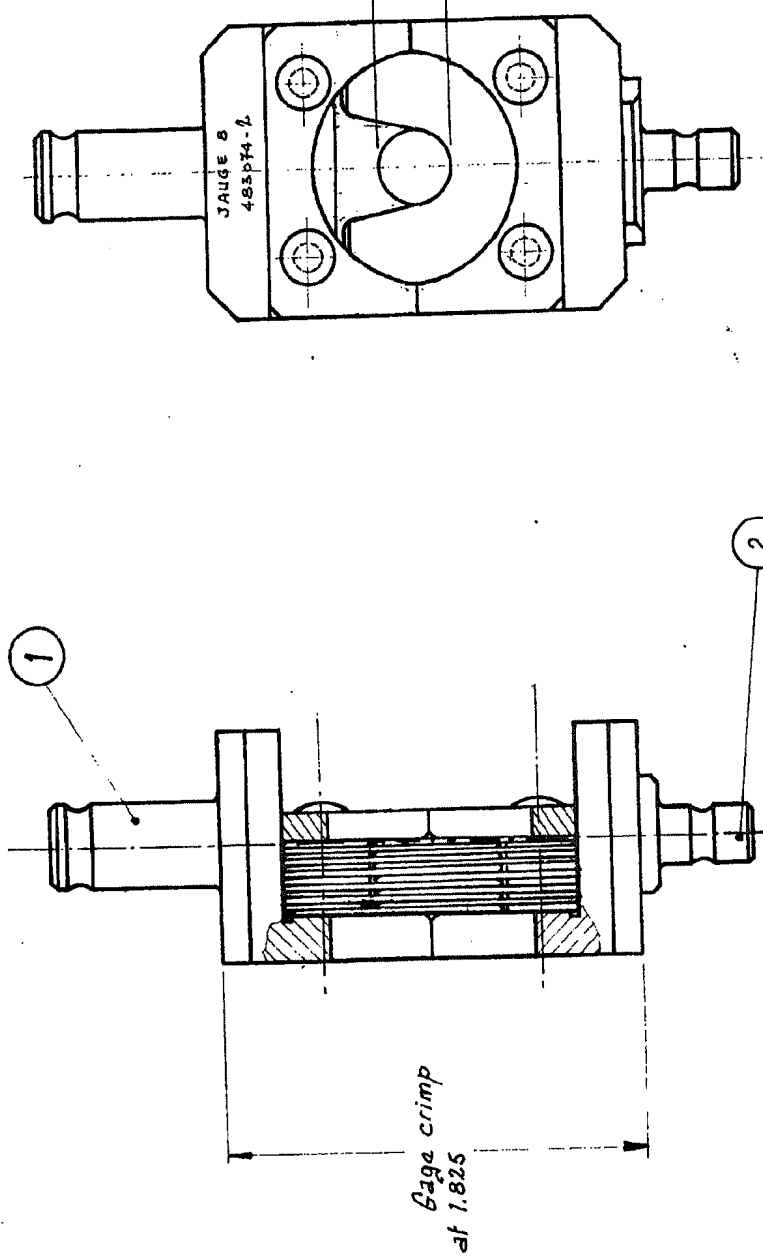


Demer India 15/4/67



Crimp at 1.825

JAUGE B
483074-2

483074 2.35
APPLY PART NUMBER
FOR REFERENCE

SHEET 1 OF 1

UNLESS OTHERWISE SPECIFIED
DIMENSIONS ARE IN MILLIMETERS
DIMENSIONS IN INCHES DO NOT SCALE PRINT

REMOVE UNLESS SHARP EDGES OR MAX
DIMENSIONS TO ±.02 .000 ±.005 .0000 ±.0005

UNLESS OTHERWISE SPECIFIED
ANGLES TO 30

WATER: _____
MATERIAL: _____

HEAT TREAT: _____
CMM: _____

COATING OF P.L.A.N.G: _____

DESIGN: #8
FIRST USED: 69061

LOC: F
TYPE: B
NAME: DIE ASSEMBLY
Grimper Unterbaugruppe

REV: C-483074-2
A

APPROVED: _____
DATE: 13/10/67

ECN: _____

NUMBER 483074-2

QTY	P/N	SIZE	NAME
1	483082-1	B	Die assembly lower
1	483078-2	B	Die assembly upper

15/10/67

483074-2