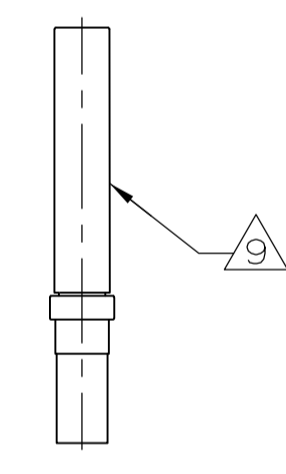
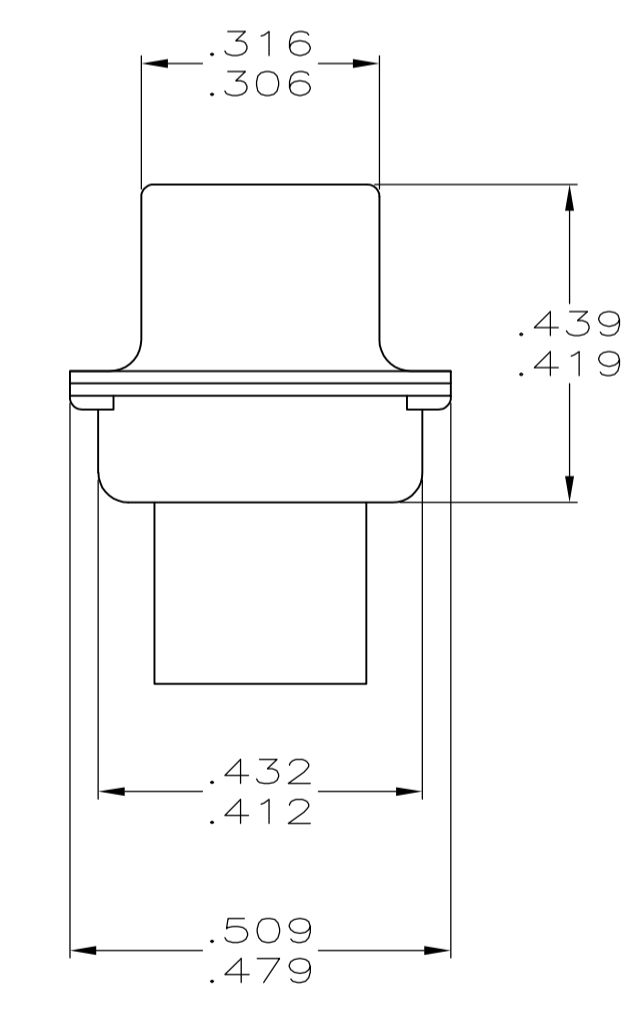
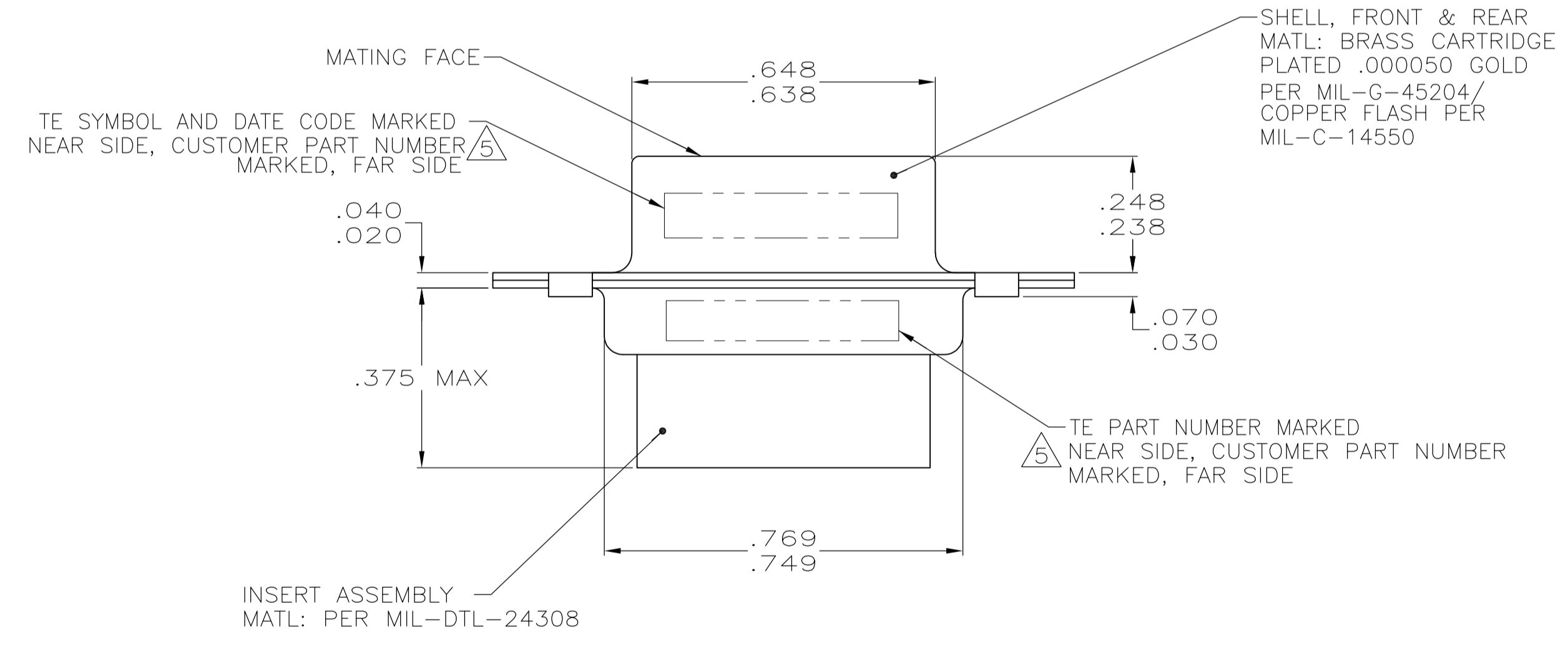
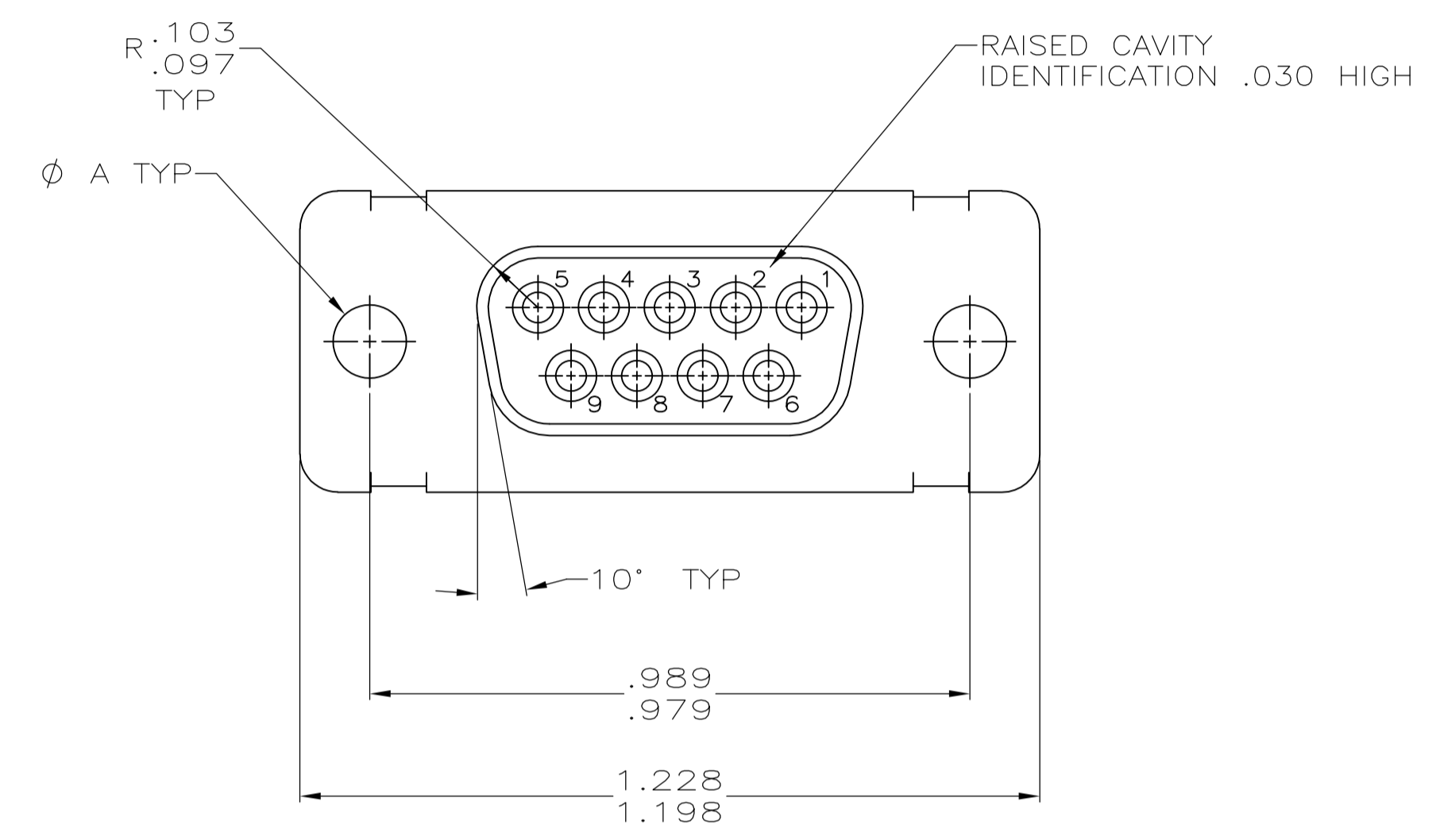


LOC		DIST		REVISIONS			
P	LTR	DESCRIPTION	DATE	DNW	APVD		
U		REV PER ECO 15-16064	11-9-15	CT	CD		



- △ THIS RECEPTACLE WILL MATE WITH ANY PLUG WITH THE SAME INSERT ARRANGEMENT AS DEFINED BY MS18273-1.
- 2. MAXIMUM WIRE INSULATION USED WITH THIS RECEPTACLE IS .072 DIA MAX.
- 3. Be Cu RETENTION CLIPS ARE INCLUDED IN INSERT.
- △ CUSTOMER PART NUMBER MAY BE SPLIT BETWEEN FRONT AND REAR SHELLS, SAME SIDE. FAR SIDE REFERS TO WIDE SIDE OF KEYSTONE, NEAR SIDE REFERS TO NARROW SIDE OF KEYSTONE.
- △ THESE CONNECTORS ARE QUALIFIED TO GODDARD SPACE FLIGHT CENTER SPECIFICATION S-311-P-4.
- 7. CUSTOMER PART NUMBER MAY BE SPLIT BETWEEN FRONT AND REAR SHELLS.
- △ RESTRICTED TO CAE ELECTRONICS ONLY.
- △ CONNECTOR SUPPLIED WITH CONTACTS, TE PART NUMBER 206793-1; (NOT INSTALLED).

REMARKS	DIA A	INK STAMPED CUSTOMER P/N	INK STAMPED TE P/N	AMP P/N
SUPERSEDED BY 1996077-1	.120	8333648P2	207253-8	207253-8
	.120	570513-1	207253-7	207253-7
△ 9	.120	LMSC 1621480-001	207253-6	207253-6
	.120	LMSC 1621480-001	207253-5	207253-5
△ 8 / △ 6	.120	311P409-1S-B-12	207253-2	207253-4
	-	-	207253-3	207253-3
△ 6	.120	311P409-1S-B-12	207253-2	207253-2
△ 6	.154	311P409-1S-B-15	207253-1	207253-1

THIS DRAWING IS A CONTROLLED DOCUMENT.

DIMENSIONS: INCHES	TOLERANCES UNLESS OTHERWISE SPECIFIED:	DIN T. THOMPSON 04-11-94	STE TE Connectivity
0 PLC ± -	1 PLC ± -	CIK D. MANTIONE 04-13-94	AMP D. MANTIONE 4-13-94
2 PLC ± -	3 PLC ± .005	NAME	AMPLIMITE RECEPTACLE ASSEMBLY SERIES 109, SIZE 1
4 PLC ± -	ANGLES ± -	PRODUCT SPEC	APPLICATION SPEC
MATERIAL SEE CALLOUTS	FINISH SEE CALLOUTS	WEIGHT	SIZE CAGE CODE DRAWING NO RESTRICTED TO
			A1 00779 C=207253
		CUSTOMER DRAWING	SCALE 4:1 SHEET 1 OF 1 REV U