

1-1414686-0 ✓ ACTIVE



Power Relay F A

TE Internal #: 1-1414686-0

Mini Relays, 12VDC Coil Voltage Rating, 30 - 50A Contact Current Class, Contact Arrangement 1 Form C (CO), Socket, Power Relay F A

[View on TE.com >](#)

Relays & Contactors > Relays > Automotive Relays > Automotive Plug-In Relays > Mini Relays



Coil Voltage Rating: 12 VDC

Contact Current Class: 30 - 50 A

Contact Arrangement: 1 Form C (CO)

Product Mount Type: Socket

Coil Resistance: 90 Ω

Features

Configuration Features

Contact Arrangement	1 Form C (CO)
---------------------	---------------

Electrical Characteristics

Contact Limiting Short-Time Current	240 A
Contact Limiting Continuous Current	60 A
Current Rating (85°C)	60 A
Insulation Initial Dielectric Between Open Contacts	500 Vrms
Contact Limiting Making Current	120 A
Insulation Initial Dielectric Between Contacts & Coil	500 Vrms
Contact Limiting Breaking Current	60 A
Contact Voltage Rating	12 VDC
Contact Switching Load (Min)	1000mA @ 5VDC
Coil Power Rating DC	1600 mW
Coil Voltage Rating	12 VDC
Coil Resistance	90 Ω

Body Features

Product Weight	35 g[1.2 oz]
----------------	--------------

Contact Features



Contact Material	Silver Alloy
------------------	--------------

Termination Features

Relay Connection Type	Plug-In
Terminal Configuration	Quick Connect Terminals

Mechanical Attachment

Product Mount Type	Socket
--------------------	--------

Dimensions

Product Width	28 mm[1.102 in]
Product Length	28 mm[1.102 in]
Product Height	25.5 mm[1.004 in]

Usage Conditions

Environmental Ambient Temperature (Max)	125 °C[257 °F]
-----------------------------------------	----------------

Operation/Application

Coil Magnetic System	Monostable, DC
----------------------	----------------

Other

Length Class (Mechanical)	25 - 30 mm
Environmental Ambient Temperature Class	105 - 125 °C
Insulation Initial Dielectric Between Coil & Contact Class	0 - 500 V
Height Class (Mechanical)	25 - 30 mm
Width Class (Mechanical)	25 - 30 mm
Contact Current Class	30 - 50 A

Product Compliance

[For compliance documentation, visit the product page on TE.com>](#)

EU RoHS Directive 2011/65/EU	Compliant
EU ELV Directive 2000/53/EC	Compliant
China RoHS 2 Directive MIIT Order No 32, 2016	No Restricted Materials Above Threshold
EU REACH Regulation (EC) No. 1907/2006	Current ECHA Candidate List: JAN 2024 (240) Candidate List Declared Against: JUNE 2023 (235) Does not contain REACH SVHC
Halogen Content	Low Halogen - Br, Cl, F, I < 900 ppm per homogenous material. Also BFR/CFR/PVC

Free

Solder Process Capability

Not applicable for solder process capability

Product Compliance Disclaimer

This information is provided based on reasonable inquiry of our suppliers and represents our current actual knowledge based on the information they provided. This information is subject to change. The part numbers that TE has identified as EU RoHS compliant have a maximum concentration of 0.1% by weight in homogenous materials for lead, hexavalent chromium, mercury, PBB, PBDE, DBP, BBP, DEHP, DIBP, and 0.01% for cadmium, or qualify for an exemption to these limits as defined in the Annexes of Directive 2011/65/EU (RoHS2). Finished electrical and electronic equipment products will be CE marked as required by Directive 2011/65/EU. Components may not be CE marked. Additionally, the part numbers that TE has identified as EU ELV compliant have a maximum concentration of 0.1% by weight in homogenous materials for lead, hexavalent chromium, and mercury, and 0.01% for cadmium, or qualify for an exemption to these limits as defined in the Annexes of Directive 2000/53/EC (ELV). Regarding the REACH Regulation, the information TE provides on SVHC in articles for this part number is based on the latest European Chemicals Agency (ECHA) 'Guidance on requirements for substances in articles' posted at this URL: <https://echa.europa.eu/guidance-documents/guidance-on-reach>

Compatible Parts



TE Part # 1-1904045-1
V23333Z0001A007-EV-100



TE Part # 2-1904020-4
V23234A0001X037-EV-100

Also in the Series | Power Relay F A



Maxi Relays(2)



Mini Relays(13)

Customers Also Bought



TE Part # 1-5747150-6
09 RCPT SP/FMS SCRLK



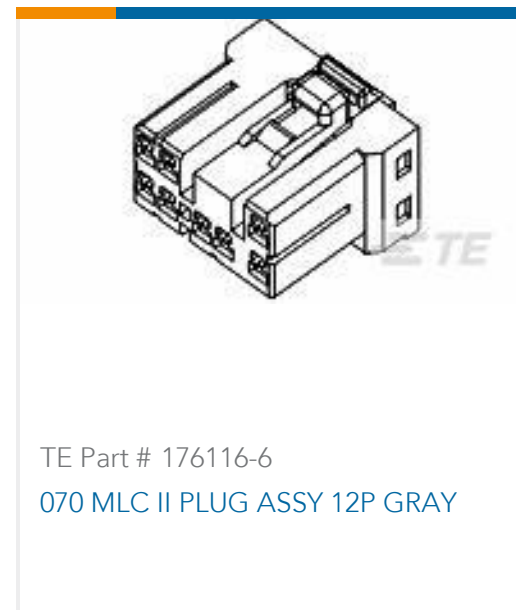
TE Part # 5-146285-3
03 MODII HDR SRST B/A .100CL



TE Part # 60700-2
RING CRIMP 20-16 AWG TPBR



TE Part # 42946-2
RING 12-8 AWG TPBR



Documents

Product Drawings

[V23136A0004X058-EV-CBOX](#)

English

CAD Files

[3D PDF](#)

3D

Customer View Model

[ENG_CVM_CVM_1-1414686-0_O.2d_dxf.zip](#)

English

Customer View Model

[ENG_CVM_CVM_1-1414686-0_O.3d_igs.zip](#)

English

Customer View Model

[ENG_CVM_CVM_1-1414686-0_O.3d_stp.zip](#)

English

By downloading the CAD file I accept and agree to the [Terms and Conditions](#) of use.

Datasheets & Catalog Pages

[Automotive Relay Application Notes](#)

English

[Power Relay F4 A, Mini ISO, Plug-In](#)

English

Product Specifications

[Definitions General Purpose Relays](#)

English

1-1414686-0

Mini Relays, 12VDC Coil Voltage Rating, 30 - 50A Contact Current Class, Contact Arrangement 1 Form C (CO), Socket, Power Relay F A

