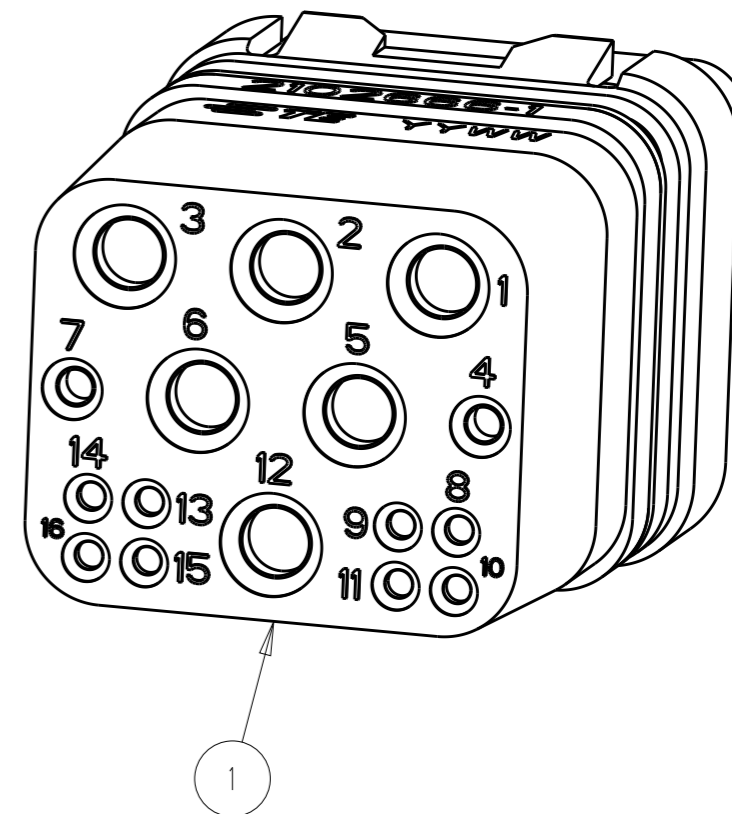
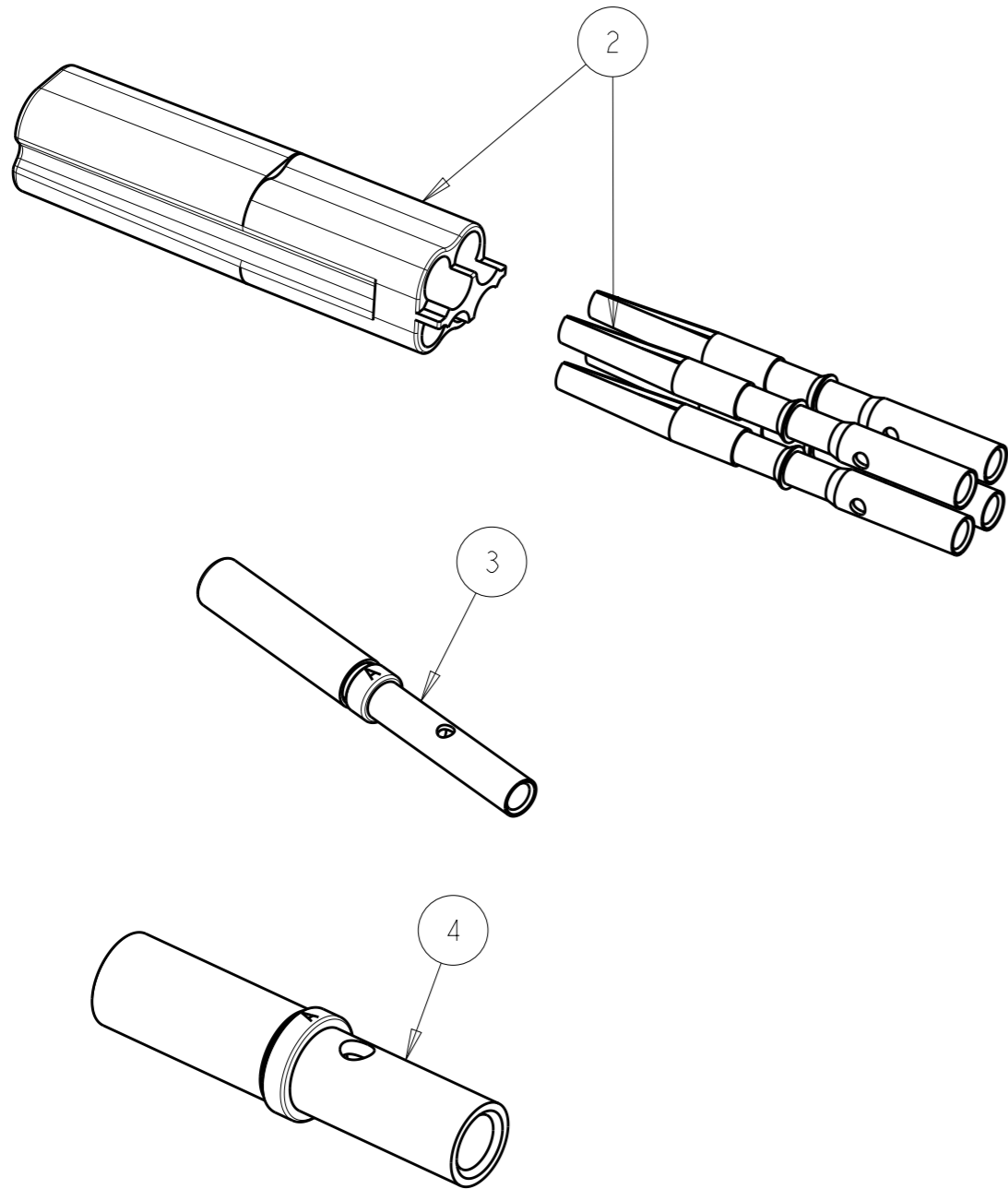


THIS DRAWING IS UNPUBLISHED. RELEASED FOR PUBLICATION
 © COPYRIGHT - BY - ALL RIGHTS RESERVED.

LOC	DIST	REVISIONS			
P	LTR	DESCRIPTION	DATE	DWN	APVD
-	-	A	RELEASED PER ECO 13-015938	10-24-13	CT DE



1. ALL PARTS SHALL BE KIT PACKAGED.
2. PACKAGING TO BE MARKED WITH TE CONNECTIVITY LOGO, PART NUMBER, REVISION & DATE CODE.

QTY	QTY	PART NO	DESCRIPTION	ITEM NO
--	6	1577867-1	CONTACT, SOCKET, SIZE 16	4
--	2	204351-1	CONTACT, SOCKET, SIZE 22	3
2	2	2102668-1	KIT, SOCKET, DATA DART	2
1	1	2102666-1	ASSEMBLY, SOCKET INSERT	1
QTY	QTY	PART NO	DESCRIPTION	ITEM NO
-2	-1			

THIS DRAWING IS A CONTROLLED DOCUMENT.		DWN G DOUTY 27FEB2012		
DIMENSIONS: mm		CHK R WALTER 27FEB2012		
TOLERANCES UNLESS OTHERWISE SPECIFIED:		APVD R WALTER 27FEB2012	NAME KIT, SOCKET INSERT	
0 PLC ± 1 PLC ± 2 PLC ± 3 PLC ± 4 PLC ± ANGLES ±		PRODUCT SPEC 108-2470	GbE + POWER	
MATERIAL -		APPLICATION SPEC 114-32031	ARINC 800 SINGLE MODULE	
FINISH -		WEIGHT -	SIZE A3	RESTRICTED TO -
		Customer Drawing	CAGE CODE 00779	DRAWING NO C-2102660
			SCALE 5:1	SHEET 1 OF 1
				REV A