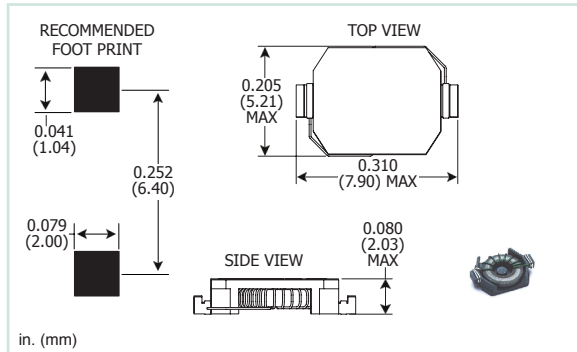


SMT1803

SMT1803LF

High Efficiency Low Profile Toroid



PART NUMBER	L μ H @ 100 kHz	DCR Ω MAX	I SAT A DC	CURRENT RATING A DC
FERRITE CORE				
SMT1803-470M	0.47	0.037	5.80	2.16
SMT1803-680M	0.68	0.037	4.83	2.16
SMT1803-101M	1.0	0.059	3.63	1.71
SMT1803-151M	1.5	0.074	3.22	1.53
SMT1803-221M	2.2	0.092	2.64	1.37
SMT1803-331M	3.3	0.107	2.23	1.27
SMT1803-471M	4.7	0.125	1.81	1.18
SMT1803-681M	6.8	0.156	1.53	1.05
SMT1803-821M	8.2	0.175	1.54	1.00
SMT1803-102M	10	0.181	1.42	0.98
SMT1803-152M	15	0.214	1.16	0.90
SMT1803-222M	22	0.384	0.97	0.67
SMT1803-332M	33	0.595	0.79	0.54
SMT1803-472M	47	0.930	0.66	0.43
SMT1803-682M	68	1.13	0.54	0.39
SMT1803-822M	82	1.28	0.50	0.37
SMT1803-103M	100	2.18	0.45	0.28

NOTES:

- **Operating Temperature Range:**
-55°C to +125°C
- **Current Rating** is based on a 40°C temperature rise at an ambient temperature of 85°C
- **Saturation Current** is the approximate value that will reduce the initial inductance by 30%
- **Weight Max:** 1.50 grams
- **Marking:** L μ H
0.47 μ H
- When ordering, specify **tolerance & termination:**
SMT1802-470MLF
Tolerance: M = 20%
(Table shows lowest standard tolerance option)
**Optional tolerances are available; contact factory*
Termination: LF = RoHS compliant tin-silver copper over copper
- Custom designs are available to meet your specific requirements; please contact factory

TAPE AND REEL SPECS:

Pcs./Reel maximum:	3100
Pitch between parts:	8 mm
Tape width:	16 mm
Reel diameter:	13 in.