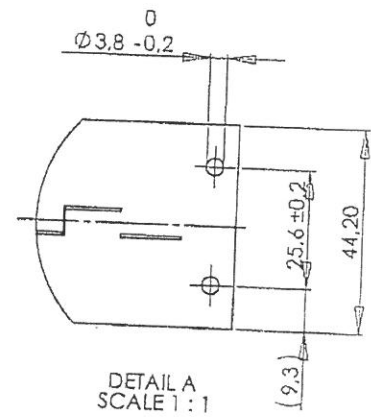
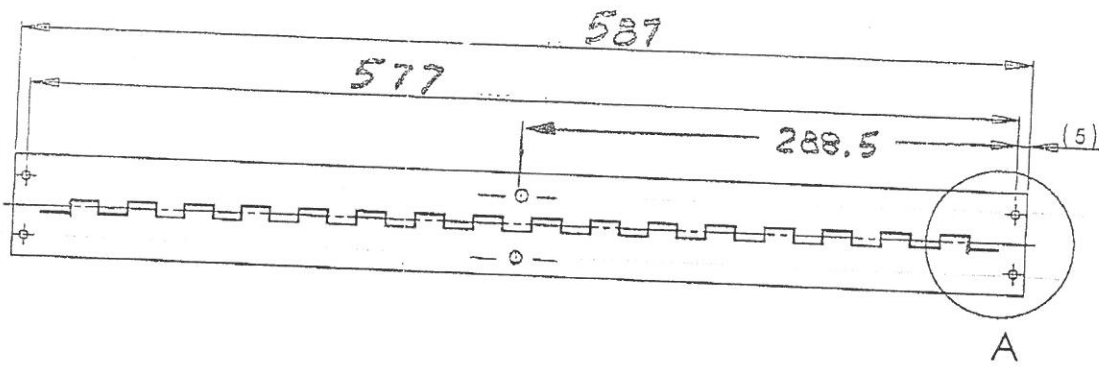
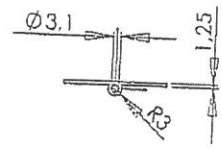


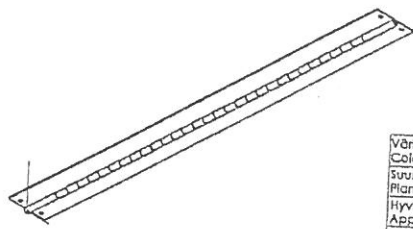
**FIBOX** ASPB2424  
Swing Panel Bar

6/5/2019  
CJS





DETAIL A  
SCALE 1 : 1



FIBOX P/N: APILIN 24

- PRELIM

Vert Colour	Material	Galv. skeet steel	Volume	mm3
Sum. Plan.	Qty	23.1.2008 KWE	Density	g/mm3
Hyv. Appr	General tolerances	ISO 2768-m	Weight	256.78 g
<b>FIBOX</b> ARCA Swing Panel Hinge			Scale	1:5
			Sheet 1 / 1 Size A3	
Dir: G:\3DRAW\ARCA\30000\30207			No	30207
			Ver	VO
			Replaced by	

Symbol	Multis - Modification	Pvm - Date	Pvm - Date	Hyv - Appr
	2		3	
		4		