



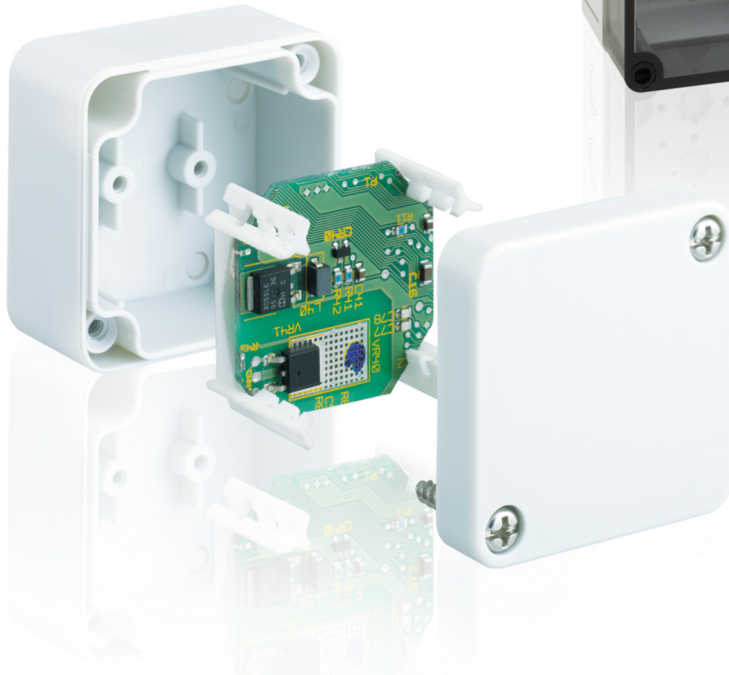
TK Series

Designed for tough industrial environments and a wide variety of applications, TK Enclosures are available with standard gray or tinted transparent covers in several heights. Sidewalls are supplied smooth or with knockouts. Precision molded from impact and flame resistant materials, they offer functionality and appealing solutions for diverse application requirements.

- 18 different enclosures with up to 3 different cover heights
- IP66 (NEMA 4X)
- Polystyrene or Polycarbonate
- Gray or tinted transparent covers
- Smooth sidewalls or sidewalls with knockouts
- Four cover mounting screws
- Tongue and groove with polyurethane gasket (CFC free)
- Gasket inserted by robots
- HF - EMC models available
- Knockout mounting holes in enclosure base
- Screw fastening cover design requires six turns to lock
- Dust and moisture proof
- Non flammable and halogen free

The TK Choice

Sample application.



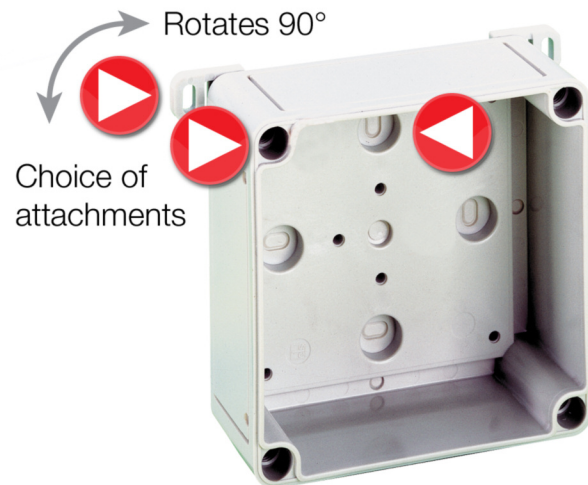
Different cover heights.



Combinable



External hinges



TK 55/TK75 – Polycarbonate – 50 x 52 mm (1.97 x 2.05 in.) / 65 x 50 mm (2.56 x 1.97 in.)

Standard Features

- **Protection Level:** IP66 (NEMA Type: 4X and 12/12K)
- **Technical:**
 - Smooth Sidewalls
 - 1 Sidewall Knockout or Integral Cable Gland (5-10mm cable diameter)
 - Gray or Clear Transparent Cover
- **Enclosure Materials:** Polycarbonate
- **Gasket Material:** Polyurethane
- **Color:** Light Gray
- **Material**
 - Temperature Range:** Polycarbonate
-40°C to 120°C (-40°F to 248°F)
- **Accessories:** See section below



TK55 - 50 x 52 mm

Polycarbonate

| Ordering Information | Height mm (in) | Cat. No. | Type | Cover Color | Std. Pk. |
|---|-----------------|----------|------------|-------------|----------|
| <input type="checkbox"/> Enclosure - smooth sidewall | 35 mm (1.38 in) | 120-455 | PC 55-4-o | gray | 5 |
| <input type="checkbox"/> Enclosure - smooth sidewall | 35 mm (1.38 in) | 130-455 | PC 55-4-to | trans. | 5 |
| <input type="checkbox"/> Enclosure - metric knockout | 35 mm (1.38 in) | 127-455 | PC 55-4-m | gray | 5 |
| <input type="checkbox"/> Enclosure - metric knockout | 35 mm (1.38 in) | 137-455 | PC 55-4-tm | trans. | 5 |
| <input type="checkbox"/> Enclosure - Integral Cable Gland | 35 mm (1.38 in) | 129-455 | PC 55-4-v | gray | 5 |
| <input type="checkbox"/> Enclosure - Integral Cable Gland | 35 mm (1.38 in) | 139-455 | PC 55-4-tv | trans. | 5 |

TK75 - 65 x 50 mm

Polycarbonate

| Ordering Information | Height mm (in) | Cat. No. | Type | Cover Color | Std. Pk. |
|---|-----------------|----------|-------------|-------------|----------|
| <input type="checkbox"/> Enclosure - smooth sidewall | 35 mm (1.38 in) | 120-475 | PC 75-4-o | gray | 5 |
| <input type="checkbox"/> Enclosure - smooth sidewall | 35 mm (1.38 in) | 130-475 | PC 75-4-to | trans. | 5 |
| <input type="checkbox"/> Enclosure - metric knockout | 35 mm (1.38 in) | 127-475 | PC 75-4-m | gray | 5 |
| <input type="checkbox"/> Enclosure - metric knockout | 35 mm (1.38 in) | 137-475 | PC 75-4-tm | trans. | 5 |
| <input type="checkbox"/> Enclosure - Integral Cable Gland | 35 mm (1.38 in) | 129-475 | PC 75-4-v | gray | 5 |
| <input type="checkbox"/> Enclosure - Integral Cable Gland | 35 mm (1.38 in) | 139-475 | PC 75-4-tv | trans. | 5 |
| <input type="checkbox"/> Enclosure - 2 x Integral Cable Gland | 35 mm (1.38 in) | 128-475 | PC 75-4-2v | gray | 5 |
| <input type="checkbox"/> Enclosure - 2 x Integral Cable Gland | 35 mm (1.38 in) | 138-475 | PC 75-4-2tv | trans. | 5 |

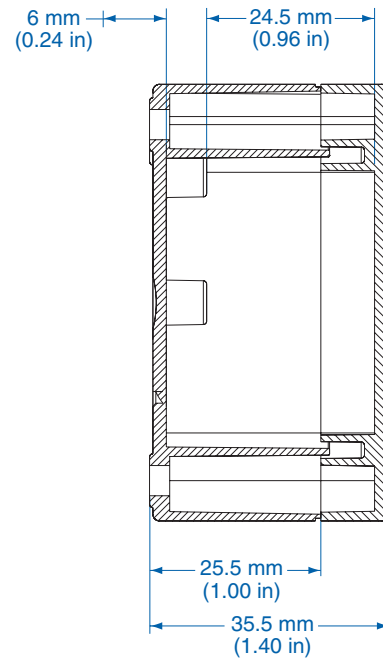
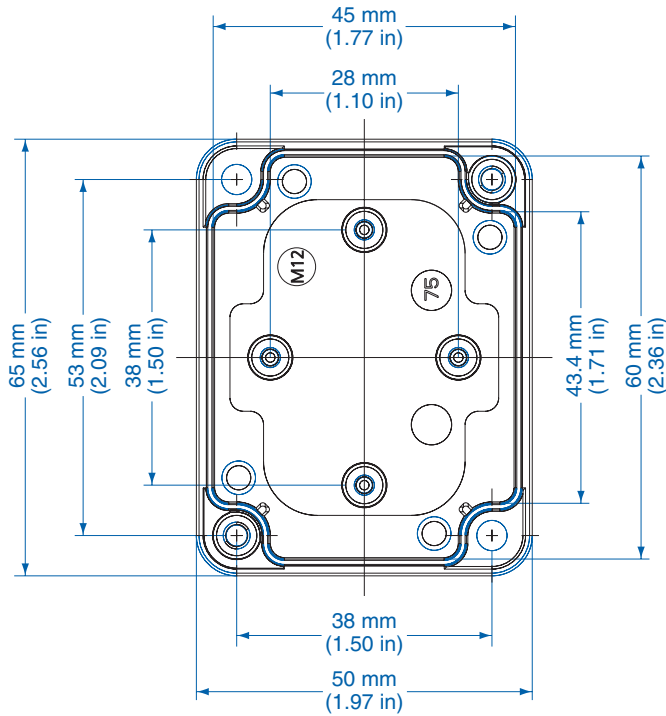
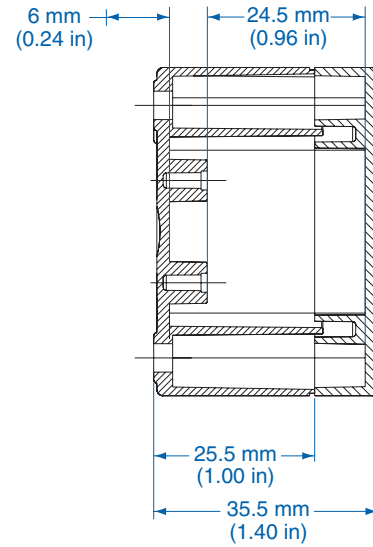
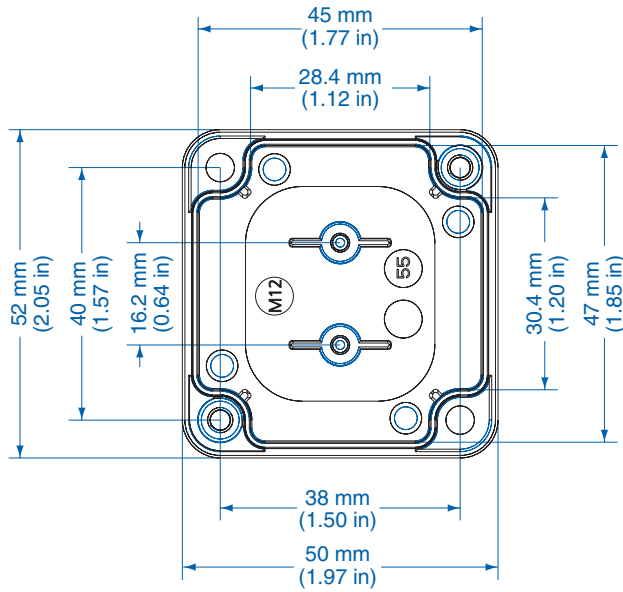
Accessories

| Ordering Information | Cat. No. | Type | Std. Pk. |
|-----------------------|----------|----------|----------|
| Mounting Plate (TK55) | 195-055 | TKMPI-55 | 5 |
| Mounting Plate (TK75) | 195-075 | TKMPI-75 | 5 |
| PCB Bracket | 194-110 | MP/LPH | 2 |
| Mounting Bracket | 194-002 | MB | 1 |

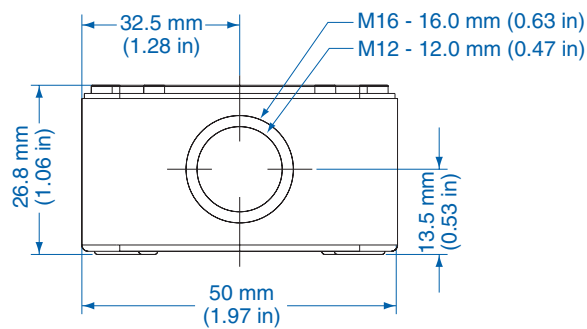
Please refer to pages 149-152 for additional accessories and detailed information.

* Only parts without integral cable glands are UL listed.

Dimensions



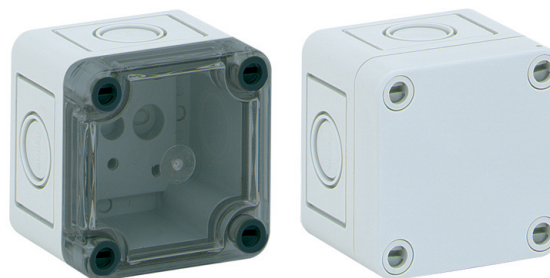
Knockout Positions
(one side only)



TK 77 – Polystyrene and Polycarbonate – 65 x 65 mm (2.56 x 2.56 in.)

Standard Features

- **Protection Level:** IP66 (NEMA Type: 4X and 12/12K)
- **Technical:** Smooth or Knockout Sidewalls
Gray or Tinted Transparent Cover
Multiple Enclosure Mounting Options
- **UL Recognized**
 - Enclosure Materials:** Polystyrene or Polycarbonate
 - **Gasket Material:** Polyurethane
 - **Color:** Light Gray
 - **Material**
 - Temperature Range:** Polystyrene
-40°C to 70°C (-40°F to 158°F)
Polycarbonate
-40°C to 120°C (-40°F to 248°F)
- **Accessories:** See section below



Smooth Sidewalls

| Ordering Information | Height mm (in) | Polystyrene | | | | Polycarbonate | | | |
|--------------------------|-----------------|-------------|------------|-------------|----------|---------------|------------|-------------|----------|
| | | Cat. No. | Type | Cover Color | Std. Pk. | Cat. No. | Type | Cover Color | Std. Pk. |
| ☐ Enclosure - low cover | 57 mm (2.24 in) | 110-401 | PS 77-6-o | gray | 5 | 120-401 | PC 77-6-o | gray | 5 |
| ☐ Enclosure - high cover | 81 mm (3.19 in) | 110-901 | PS 77-8-o | gray | 5 | 120-901 | PC 77-8-o | gray | 5 |
| ☐ Enclosure - low cover | 57 mm (2.24 in) | 111-001 | PS 77-6-to | trans. | 5 | 130-001 | PC 77-6-to | trans. | 5 |
| ☐ Enclosure - high cover | 81 mm (3.19 in) | 111-501 | PS 77-8-to | trans. | 5 | 130-501 | PC 77-8-to | trans. | 5 |

Sidewalls with Metric Knockouts

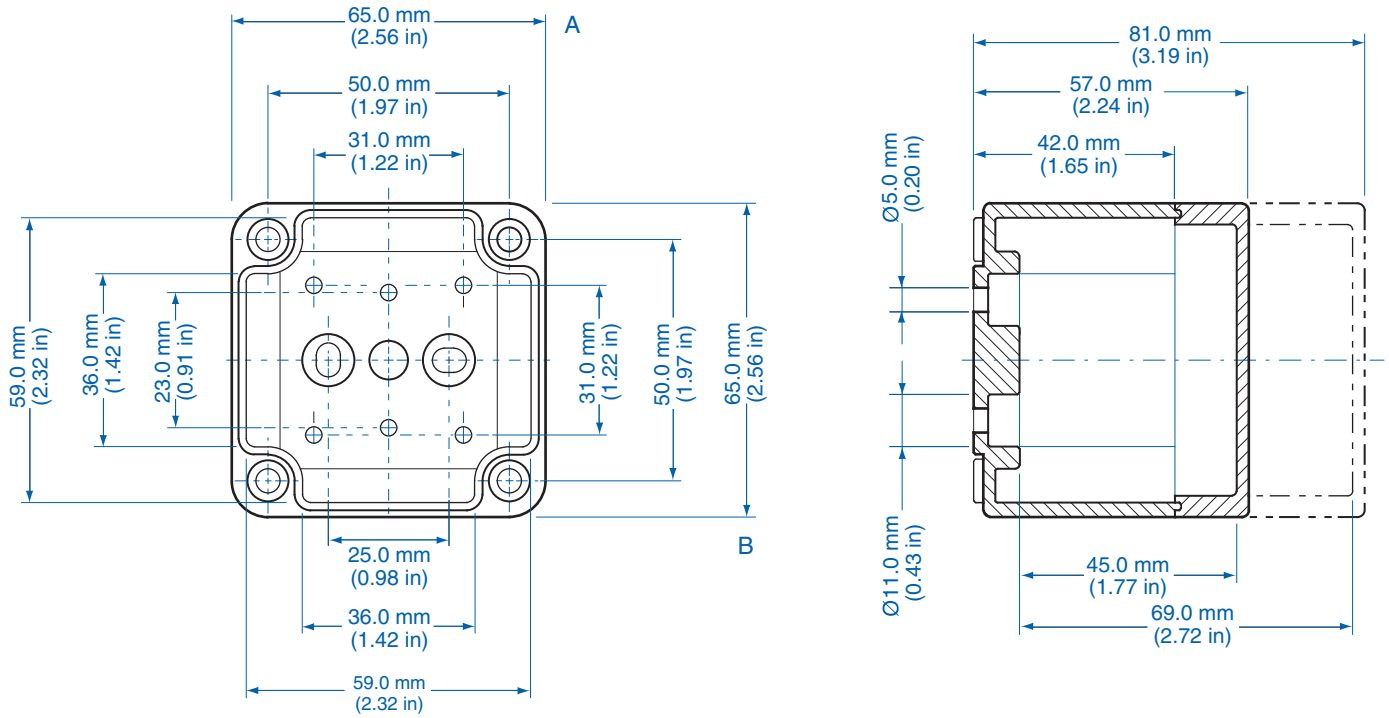
| Ordering Information | Height mm (in) | Polystyrene | | | | Polycarbonate | | | |
|--------------------------|-----------------|-------------|------------|-------------|----------|---------------|------------|-------------|----------|
| | | Cat. No. | Type | Cover Color | Std. Pk. | Cat. No. | Type. | Cover Color | Std. Pk. |
| ☐ Enclosure - low cover | 57 mm (2.24 in) | 105-401 | PS 77-6-m | gray | 5 | 127-401 | PC 77-6-m | gray | 5 |
| ☐ Enclosure - high cover | 81 mm (3.19 in) | 105-901 | PS 77-8-m | gray | 5 | 127-901 | PC 77-8-m | gray | 5 |
| ☐ Enclosure - low cover | 57 mm (2.24 in) | 106-001 | PS 77-6-tm | trans. | 5 | 137-001 | PC 77-6-tm | trans. | 5 |
| ☐ Enclosure - high cover | 81 mm (3.19 in) | 106-501 | PS 77-8-tm | trans. | 5 | 137-501 | PC 77-8-tm | trans. | 5 |

Accessories

| Ordering Information | Cat. No. | Type | Std. Pk. |
|--------------------------|----------|------------|----------|
| Mounting Plate (plastic) | 195-001 | TKMPI-77 | 1 |
| Mounting Plate (steel) | 197-001 | TKMPS-77 | 1 |
| DIN Rail TS15-49.5mm | 197-049 | TS 15/49.5 | 1 |
| Hinge Kit Set | 190-002 | HK1 | 1 |
| Mounting Tab Kit | 194-001 | MT1 | 1 |

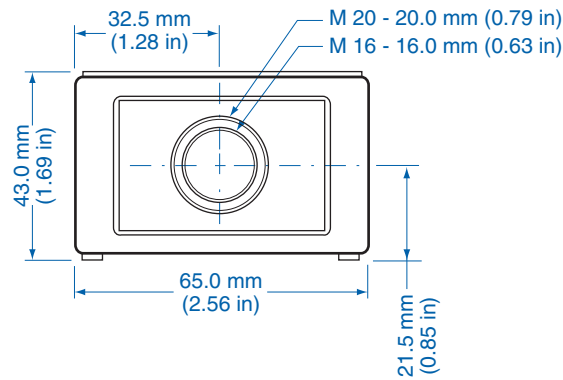
Please refer to pages 149-152 for additional accessories and detailed information.

Dimensions



Knockout Positions

(all 4 sides)



TK 97 – Polystyrene and Polycarbonate – 94 x 65 mm (3.70 x 2.56 in.)

Standard Features

- **Protection Level:** IP66 (NEMA Type: 4X and 12/12K)
- **Technical:** Smooth or Knockout Sidewalls
Gray or Tinted Transparent Cover
Multiple Enclosure Mounting Options
- **UL Recognized**
 - **Enclosure Materials:** Polystyrene or Polycarbonate
 - **Gasket Material:** Polyurethane
 - **Color:** Light Gray
 - **Material**
 - **Temperature Range:** Polystyrene
-40°C to 70°C (-40°F to 158°F)
Polycarbonate
-40°C to 120°C (-40°F to 248°F)
- **Accessories:** See section below



Smooth Sidewalls

Polystyrene

Polycarbonate

| Ordering Information | Height mm (in) | Cat. No. | Type | Cover Color | Std. Pk. | Cat. No. | Type | Cover Color | Std. Pk. |
|--------------------------|-----------------|----------|------------|-------------|----------|----------|------------|-------------|----------|
| ☐ Enclosure - low cover | 57 mm (2.24 in) | 110-402 | PS 97-6-o | gray | 5 | 120-402 | PC 97-6-o | gray | 5 |
| ☐ Enclosure - high cover | 81 mm (3.19 in) | 110-902 | PS 97-8-o | gray | 5 | 120-902 | PC 97-8-o | gray | 5 |
| ☐ Enclosure - low cover | 57 mm (2.24 in) | 111-002 | PS 97-6-to | trans. | 5 | 130-002 | PC 97-6-to | trans. | 5 |
| ☐ Enclosure - high cover | 81 mm (3.19 in) | 111-502 | PS 97-8-to | trans. | 5 | 130-502 | PC 97-8-to | trans. | 5 |

Sidewalls with Metric Knockouts

Polystyrene

Polycarbonate

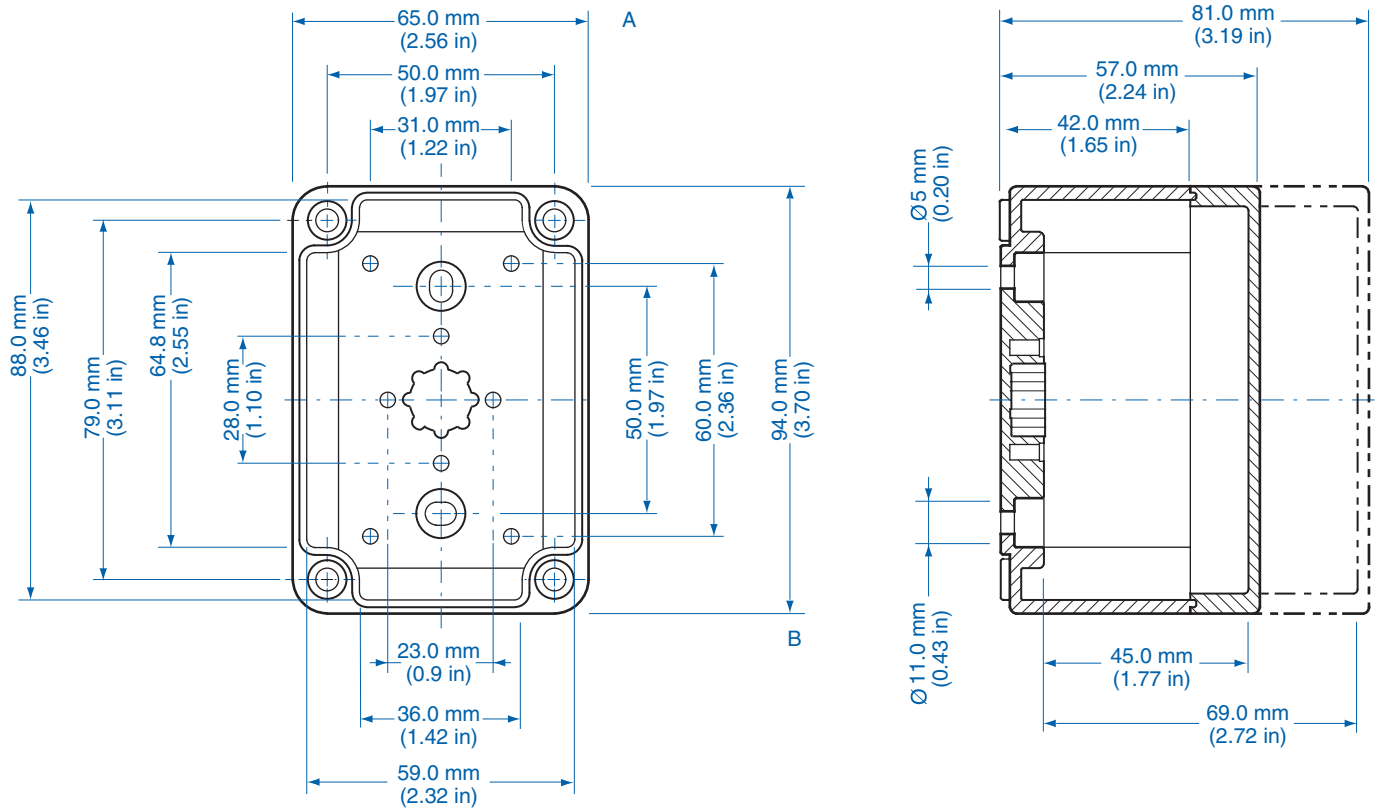
| Ordering Information | Height mm (in) | Cat. No. | Type | Cover Color | Std. Pk. | Cat. No. | Type | Cover Color | Std. Pk. |
|--------------------------|-----------------|----------|------------|-------------|----------|----------|------------|-------------|----------|
| ☐ Enclosure - low cover | 57 mm (2.24 in) | 105-402 | PS 97-6-m | gray | 5 | 127-402 | PC 97-6-m | gray | 5 |
| ☐ Enclosure - high cover | 81 mm (3.19 in) | 105-902 | PS 97-8-m | gray | 5 | 127-902 | PC 97-8-m | gray | 5 |
| ☐ Enclosure - low cover | 57 mm (2.24 in) | 106-002 | PS 97-6-tm | trans. | 5 | 137-002 | PC 97-6-tm | trans. | 5 |
| ☐ Enclosure - high cover | 81 mm (3.19 in) | 106-502 | PS 97-8-tm | trans. | 5 | 137-502 | PC 97-8-tm | trans. | 5 |

Accessories

| Ordering Information | Cat. No. | Type | Std. Pk. |
|--------------------------|----------|----------|----------|
| Mounting Plate (plastic) | 195-002 | TKMPI-97 | 1 |
| Mounting Plate (steel) | 197-002 | TKMPS-97 | 1 |
| DIN Rail TS15-80mm | 197-080 | TS 15/80 | 1 |
| Hinge Kit Set | 190-002 | HK1 | 1 |
| Mounting Tab Kit | 194-001 | MT1 | 1 |

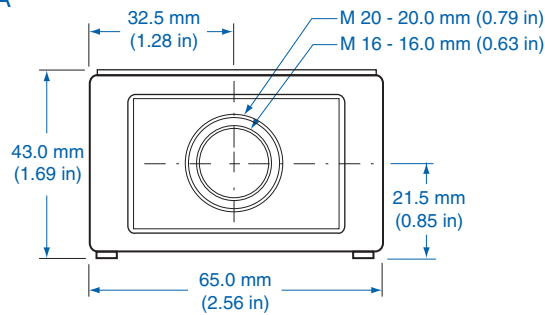
Please refer to pages 149-152 for additional accessories and detailed information.

Dimensions

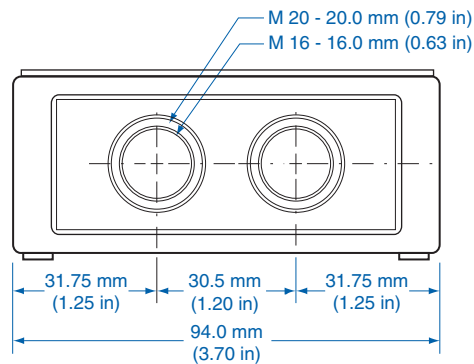


Knockout Positions

Side A



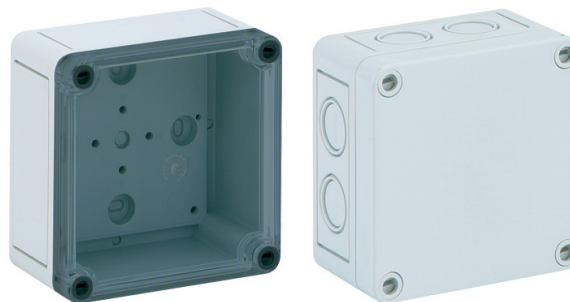
Side B



TK 99 – Polystyrene and Polycarbonate – 94 x 94 mm (3.70 x 3.70 in.)

Standard Features

- **Protection Level:** IP66 (NEMA Type: 4X and 12/12K)
- **Technical:** Smooth or Knockout Sidewalls
Gray or Tinted Transparent Cover
Multiple Enclosure Mounting Options
- **UL Recognized**
 - **Enclosure Materials:** Polystyrene or Polycarbonate
 - **Gasket Material:** Polyurethane
 - **Color:** Light Gray
 - **Material**
 - **Temperature Range:** Polystyrene
-40°C to 70°C (-40°F to 158°F)
Polycarbonate
-40°C to 120°C (-40°F to 248°F)
- **Accessories:** See section below



Smooth Sidewalls

Polystyrene

Polycarbonate

| Ordering Information | Height mm (in) | Cat. No. | Type | Cover Color | Std. Pk. | Cat. No. | Type | Cover Color | Std. Pk. |
|--------------------------|-----------------|----------|------------|-------------|----------|----------|------------|-------------|----------|
| ☐ Enclosure - low cover | 57 mm (2.24 in) | 110-403 | PS 99-6-o | gray | 4 | 120-403 | PC 99-6-o | gray | 4 |
| ☐ Enclosure - high cover | 81 mm (3.19 in) | 110-903 | PS 99-8-o | gray | 3 | 120-903 | PC 99-8-o | gray | 3 |
| ☐ Enclosure - low cover | 57 mm (2.24 in) | 111-003 | PS 99-6-to | trans. | 4 | 130-003 | PC 99-6-to | trans. | 4 |
| ☐ Enclosure - high cover | 81 mm (3.19 in) | 111-503 | PS 99-8-to | trans. | 3 | 130-503 | PC 99-8-to | trans. | 3 |

Sidewalls with Metric Knockouts

Polystyrene

Polycarbonate

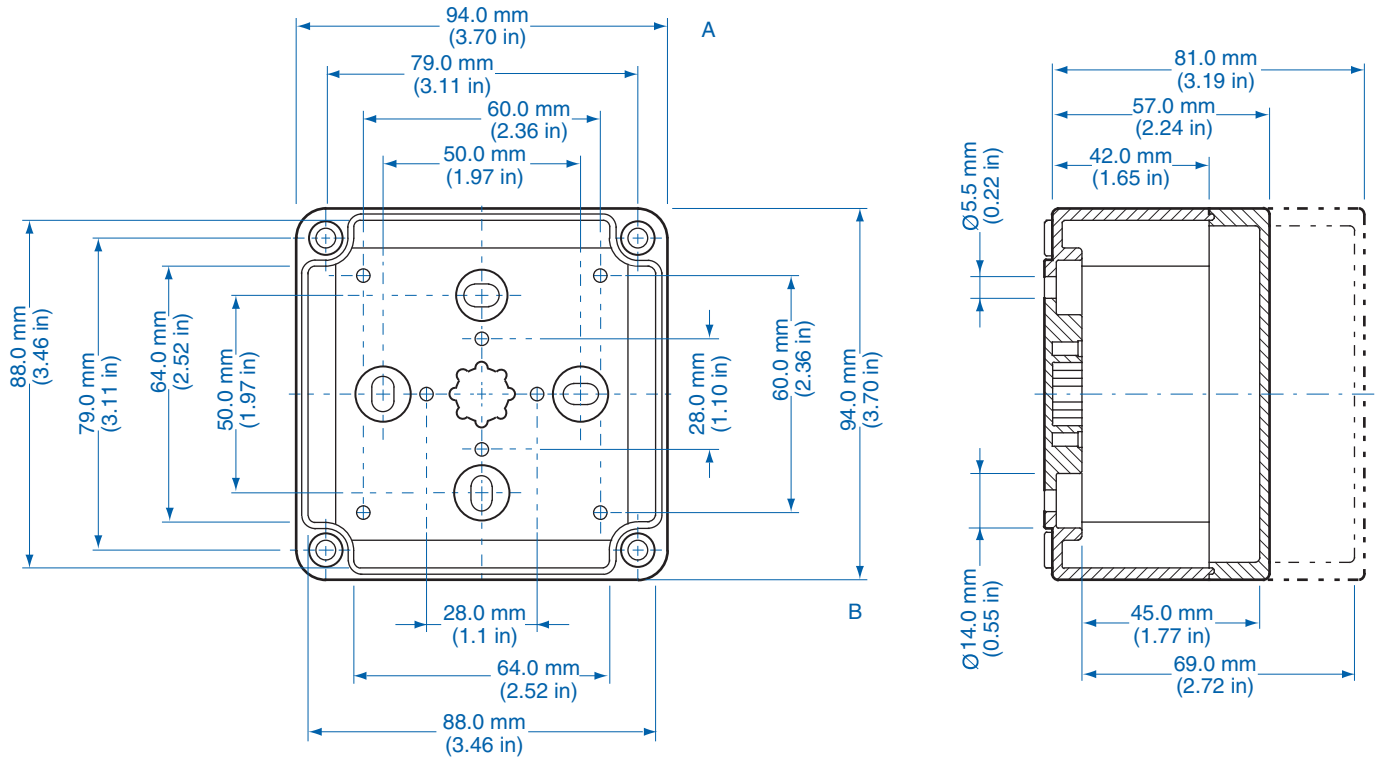
| Ordering Information | Height mm (in) | Cat. No. | Type | Cover Color | Std. Pk. | Cat. No. | Type | Cover Color | Std. Pk. |
|--------------------------|-----------------|----------|------------|-------------|----------|----------|------------|-------------|----------|
| ☐ Enclosure - low cover | 57 mm (2.24 in) | 105-403 | PS 99-6-m | gray | 4 | 127-403 | PC 99-6-m | gray | 4 |
| ☐ Enclosure - high cover | 81 mm (3.19 in) | 105-903 | PS 99-8-m | gray | 3 | 127-903 | PC 99-8-m | gray | 3 |
| ☐ Enclosure - low cover | 57 mm (2.24 in) | 106-003 | PS 99-6-tm | trans. | 4 | 137-003 | PC 99-6-tm | trans. | 4 |
| ☐ Enclosure - high cover | 81 mm (3.19 in) | 106-503 | PS 99-8-tm | trans. | 3 | 137-503 | PC 99-8-tm | trans. | 3 |

Accessories

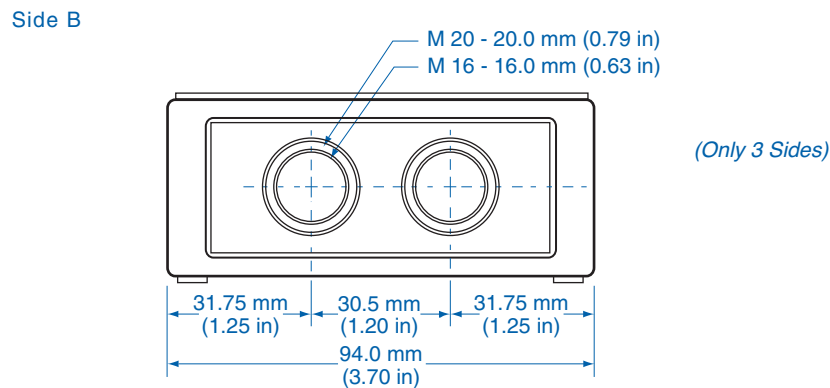
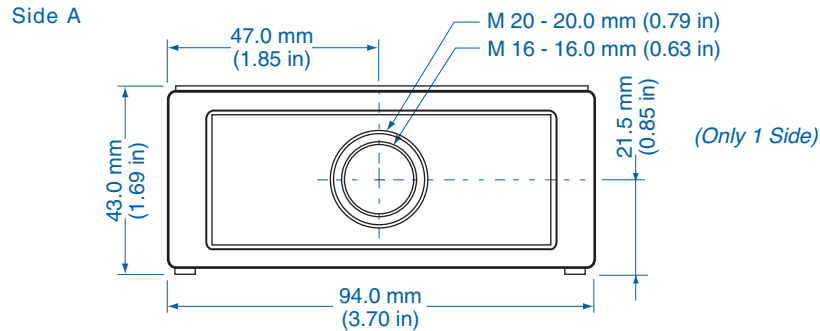
| Ordering Information | Cat. No. | Type | Std. Pk. |
|--------------------------|----------|----------|----------|
| Mounting Plate (plastic) | 195-003 | TKMPI-99 | 1 |
| Mounting Plate (steel) | 197-003 | TKMPS-99 | 1 |
| DIN Rail TS15 - 80 mm | 197-080 | TS 15/80 | 1 |
| Hinge Kit Set | 190-002 | HK1 | 1 |
| Mounting Tab Kit | 194-001 | MT1 | 1 |

Please refer to pages 149-152 for additional accessories and detailed information.

Dimensions



Knockout Positions



TK 1111 – Polystyrene and Polycarbonate – 110 x 110 mm (4.33 x 4.33 in.)

Standard Features

- **Protection Level:** IP66 (NEMA Type: 4X and 12/12K)
- **Technical:** Smooth or Knockout Sidewalls
Gray or Tinted Transparent Cover
Multiple Enclosure Mounting Options
- **UL Recognized**
 - **Enclosure Materials:** Polystyrene or Polycarbonate
 - **Gasket Material:** Polyurethane
 - **Color:** Light Gray
 - **Material**
 - **Temperature Range:** Polystyrene
-40°C to 70°C (-40°F to 158°F)
Polycarbonate
-40°C to 120°C (-40°F to 248°F)
- **Accessories:** See section below



Smooth Sidewalls

| Ordering Information | Height mm (in) | Polystyrene | | | | Polycarbonate | | | |
|--------------------------|-----------------|-------------|--------------|-------------|----------|---------------|--------------|-------------|----------|
| | | Cat. No. | Type | Cover Color | Std. Pk. | Cat. No. | Type | Cover Color | Std. Pk. |
| ☐ Enclosure - low cover | 66 mm (2.60 in) | 110-404 | PS 1111-7-o | gray | 3 | 120-404 | PC 1111-7-o | gray | 3 |
| ☐ Enclosure - high cover | 90 mm (3.54 in) | 110-904 | PS 1111-9-o | gray | 3 | 120-904 | PC 1111-9-o | gray | 3 |
| ☐ Enclosure - low cover | 66 mm (2.60 in) | 111-004 | PS 1111-7-to | trans. | 3 | 130-004 | PC 1111-7-to | trans. | 3 |
| ☐ Enclosure - high cover | 90 mm (3.54 in) | 111-504 | PS 1111-9-to | trans. | 3 | 130-504 | PC 1111-9-to | trans. | 3 |

Sidewalls with Metric Knockouts

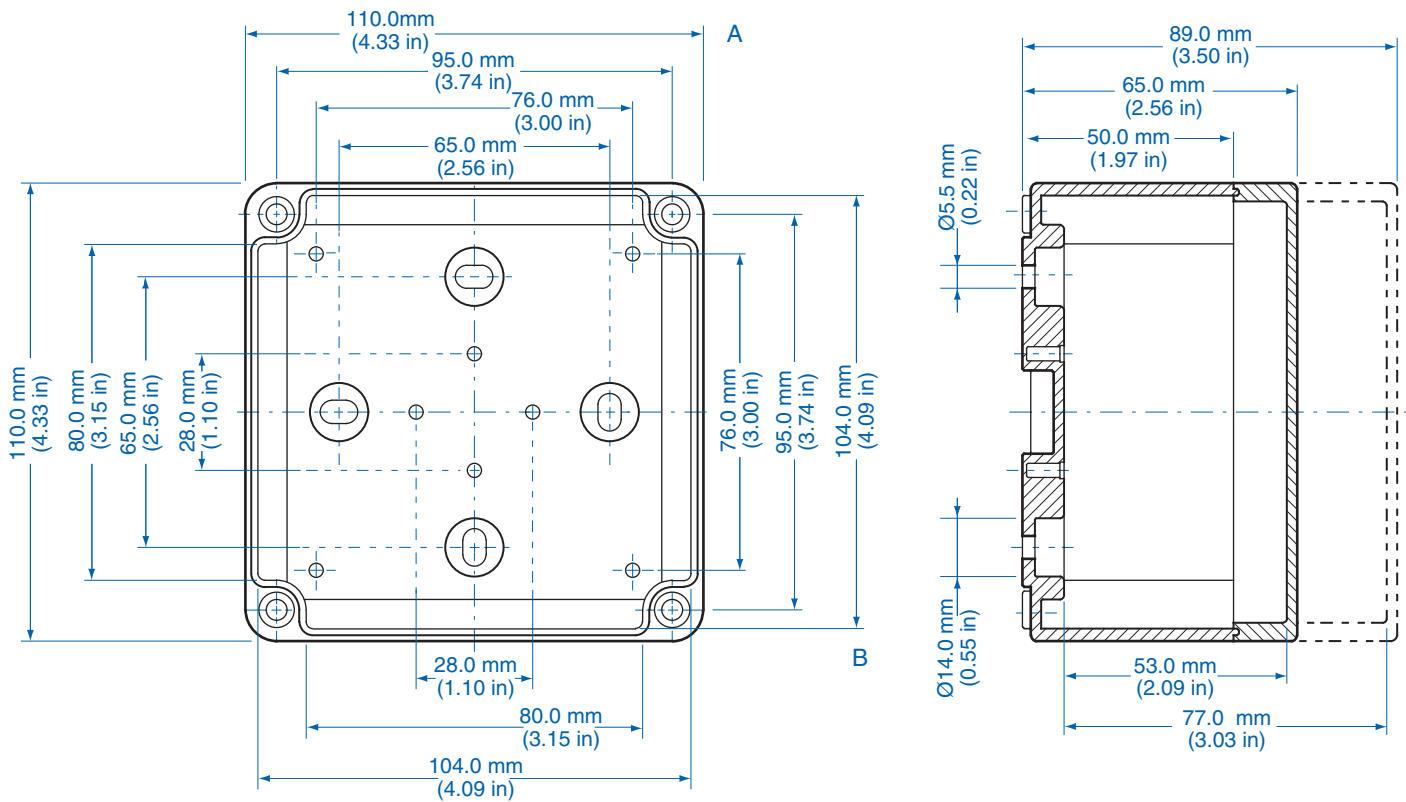
| Ordering Information | Height mm (in) | Polystyrene | | | | Polycarbonate | | | |
|--------------------------|-----------------|-------------|--------------|-------------|----------|---------------|--------------|-------------|----------|
| | | Cat. No. | Type | Cover Color | Std. Pk. | Cat. No. | Type | Cover Color | Std. Pk. |
| ☐ Enclosure - low cover | 66 mm (2.60 in) | 105-404 | PS 1111-7-m | gray | 3 | 127-404 | PC 1111-7-m | gray | 3 |
| ☐ Enclosure - high cover | 90 mm (3.54 in) | 105-904 | PS 1111-9-m | gray | 3 | 127-904 | PC 1111-9-m | gray | 3 |
| ☐ Enclosure - low cover | 66 mm (2.60 in) | 106-004 | PS 1111-7-tm | trans. | 3 | 137-004 | PC 1111-7-tm | trans. | 3 |
| ☐ Enclosure - high cover | 90 mm (3.54 in) | 106-504 | PS 1111-9-tm | trans. | 3 | 137-504 | PC 1111-9-tm | trans. | 3 |

Accessories

| Ordering Information | Cat. No. | Type | Std. Pk. |
|--------------------------|----------|------------|----------|
| Mounting Plate (plastic) | 195-004 | TKMPI-1111 | 1 |
| Mounting Plate (steel) | 197-004 | TKMPS-1111 | 1 |
| DIN Rail TS35-81mm | 198-081 | TS 35/81 | 1 |
| DIN Rail TS15-92mm | 197-092 | TS 15/92 | 1 |
| Hinge Kit Set | 190-002 | HK1 | 1 |
| Mounting Tab Kit | 194-001 | MT1 | 1 |

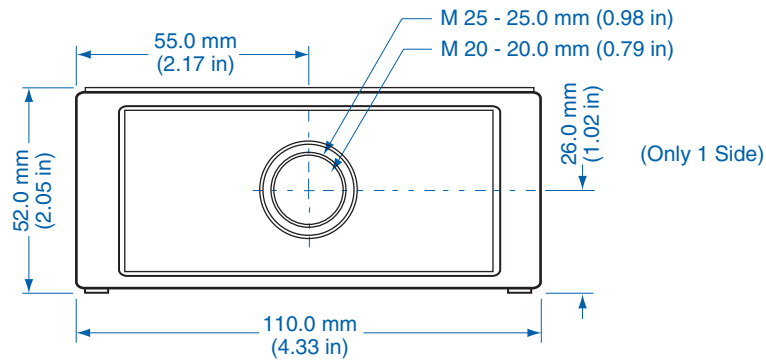
Please refer to pages 149-152 for additional accessories and detailed information.

Dimensions

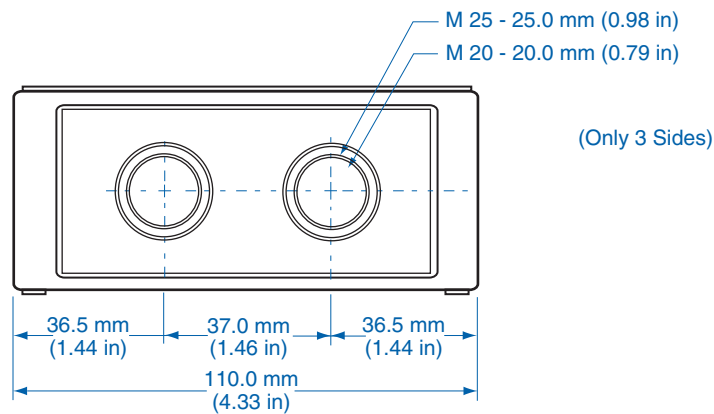


Knockout Positions

Side A



Side B



TK 1309 – Polystyrene and Polycarbonate – 130 x 94 mm (5.12 x 3.70 in.)

Standard Features

- **Protection Level:** IP66 (NEMA Type: 4X and 12/12K)
- **Technical:** Smooth or Knockout Sidewalls
Gray or Tinted Transparent Cover
Multiple Enclosure Mounting Options
- **UL Recognized**
 - Enclosure Materials:** Polystyrene or Polycarbonate
 - Gasket Material:** Polyurethane
 - Color:** Light Gray
 - Material**
 - Temperature Range:** Polystyrene
-40°C to 70°C (-40°F to 158°F)
Polycarbonate
-40°C to 120°C (-40°F to 248°F)
- **Accessories:** See section below



Smooth Sidewalls

Polystyrene

Polycarbonate

| Ordering Information | Height mm (in) | Cat. No. | Type | Cover Color | Std. Pk. | Cat. No. | Type | Cover Color | Std. Pk. |
|--------------------------|-----------------|----------|--------------|-------------|----------|----------|--------------|-------------|----------|
| ☐ Enclosure - low cover | 57 mm (2.24 in) | 110-409 | PS 1309-6-o | gray | 3 | 120-409 | PC 1309-6-o | gray | 3 |
| ☐ Enclosure - high cover | 81 mm (3.19 in) | 110-909 | PS 1309-8-o | gray | 3 | 120-909 | PC 1309-8-o | gray | 3 |
| ☐ Enclosure - low cover | 57 mm (2.24 in) | 111-009 | PS 1309-6-to | trans. | 3 | 130-009 | PC 1309-6-to | trans. | 3 |
| ☐ Enclosure - high cover | 81 mm (3.19 in) | 111-509 | PS 1309-8-to | trans. | 3 | 130-509 | PC 1309-8-to | trans. | 3 |

Sidewalls with Metric Knockouts

Polystyrene

Polycarbonate

| Ordering Information | Height mm (in) | Cat. No. | Type | Cover Color | Std. Pk. | Cat. No. | Type | Cover Color | Std. Pk. |
|--------------------------|-----------------|----------|--------------|-------------|----------|----------|--------------|-------------|----------|
| ☐ Enclosure - low cover | 57 mm (2.24 in) | 105-409 | PS 1309-6-m | gray | 3 | 127-409 | PC 1309-6-m | gray | 3 |
| ☐ Enclosure - high cover | 81 mm (3.19 in) | 105-909 | PS 1309-8-m | gray | 3 | 127-909 | PC 1309-8-m | gray | 3 |
| ☐ Enclosure - low cover | 57 mm (2.24 in) | 106-009 | PS 1309-6-tm | trans. | 3 | 137-009 | PC 1309-6-tm | trans. | 3 |
| ☐ Enclosure - high cover | 81 mm (3.19 in) | 106-509 | PS 1309-8-tm | trans. | 3 | 137-509 | PC 1309-8-tm | trans. | 3 |

Accessories

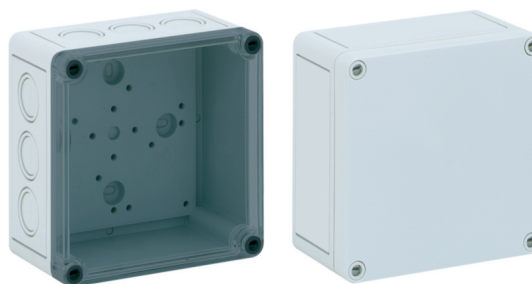
| Ordering Information | Cat. No. | Type | Std. Pk. |
|--------------------------|----------|------------|----------|
| Mounting Plate (plastic) | 195-009 | TKMPI-1309 | 1 |
| Mounting Plate (steel) | 197-009 | TKMPS-1309 | 1 |
| DIN Rail TS35-106mm | 198-106 | TS 35/106 | 1 |
| DIN Rail TS15-111mm | 197-111 | TS 15/111 | 1 |
| Hinge Kit Set | 190-002 | HK1 | 1 |
| Mounting Tab Kit | 194-001 | MT1 | 1 |

Please refer to pages 149-152 for additional accessories and detailed information.

TK 1313 – Polystyrene and Polycarbonate – 130 x 130 mm (5.12 x 5.12 in.)

Standard Features

- **Protection Level:** IP66 (NEMA Type: 4X and 12/12K)
- **Technical:** Smooth or Knockout Sidewalls
Gray or Tinted Transparent Cover
Multiple Enclosure Mounting Options
- **UL Recognized**
 - Enclosure Materials:** Polystyrene or Polycarbonate
 - **Gasket Material:** Polyurethane
 - **Color:** Light Gray
 - **Material**
 - Temperature Range:** Polystyrene
-40°C to 70°C (-40°F to 158°F)
Polycarbonate
-40°C to 120°C (-40°F to 248°F)
- **Accessories:** See section below



Smooth Sidewalls

| | | | Polystyrene | | | | Polycarbonate | | | |
|--------------------------|-----------------|----------|---------------|-------------|----------|----------|---------------|-------------|----------|--|
| Ordering Information | Height mm (in) | Cat. No. | Type | Cover Color | Std. Pk. | Cat. No. | Type | Cover Color | Std. Pk. | |
| ☐ Enclosure - low cover | 75 mm (2.95 in) | 110-405 | PS 1313-7-o | gray | 2 | 120-405 | PC 1313-7-o | gray | 2 | |
| ☐ Enclosure - high cover | 99 mm (3.90 in) | 110-905 | PS 1313-10-o | gray | 2 | 120-905 | PC 1313-10-o | gray | 2 | |
| ☐ Enclosure - low cover | 75 mm (2.95 in) | 111-005 | PS 1313-7-to | trans. | 2 | 130-005 | PC 1313-7-to | trans. | 2 | |
| ☐ Enclosure - high cover | 99 mm (3.90 in) | 111-505 | PS 1313-10-to | trans. | 2 | 130-505 | PC 1313-10-to | trans. | 2 | |

Sidewalls with Metric Knockouts

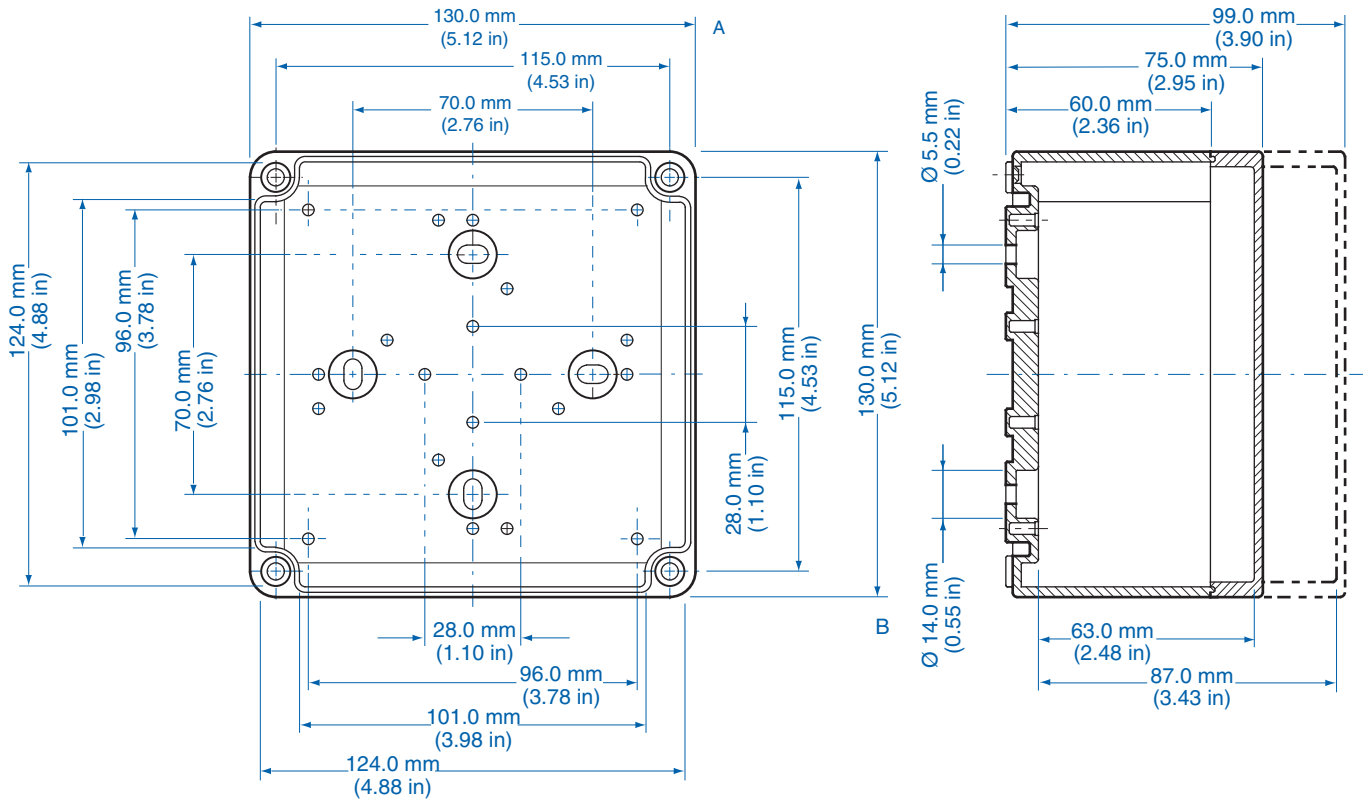
| | | | Polystyrene | | | | Polycarbonate | | | |
|--------------------------|-----------------|----------|---------------|-------------|----------|----------|---------------|-------------|----------|--|
| Ordering Information | Height mm (in) | Cat. No. | Type | Cover Color | Std. Pk. | Cat. No. | Type | Cover Color | Std. Pk. | |
| ☐ Enclosure - low cover | 75 mm (2.95 in) | 105-405 | PS 1313-7-m | gray | 2 | 127-405 | PC 1313-7-m | gray | 2 | |
| ☐ Enclosure - high cover | 99 mm (3.90 in) | 105-905 | PS 1313-10-m | gray | 2 | 127-905 | PC 1313-10-m | gray | 2 | |
| ☐ Enclosure - low cover | 75 mm (2.95 in) | 106-005 | PS 1313-7-tm | trans. | 2 | 137-005 | PC 1313-7-tm | trans. | 2 | |
| ☐ Enclosure - high cover | 99 mm (3.90 in) | 106-505 | PS 1313-10-tm | trans. | 2 | 137-505 | PC 1313-10-tm | trans. | 2 | |

Accessories

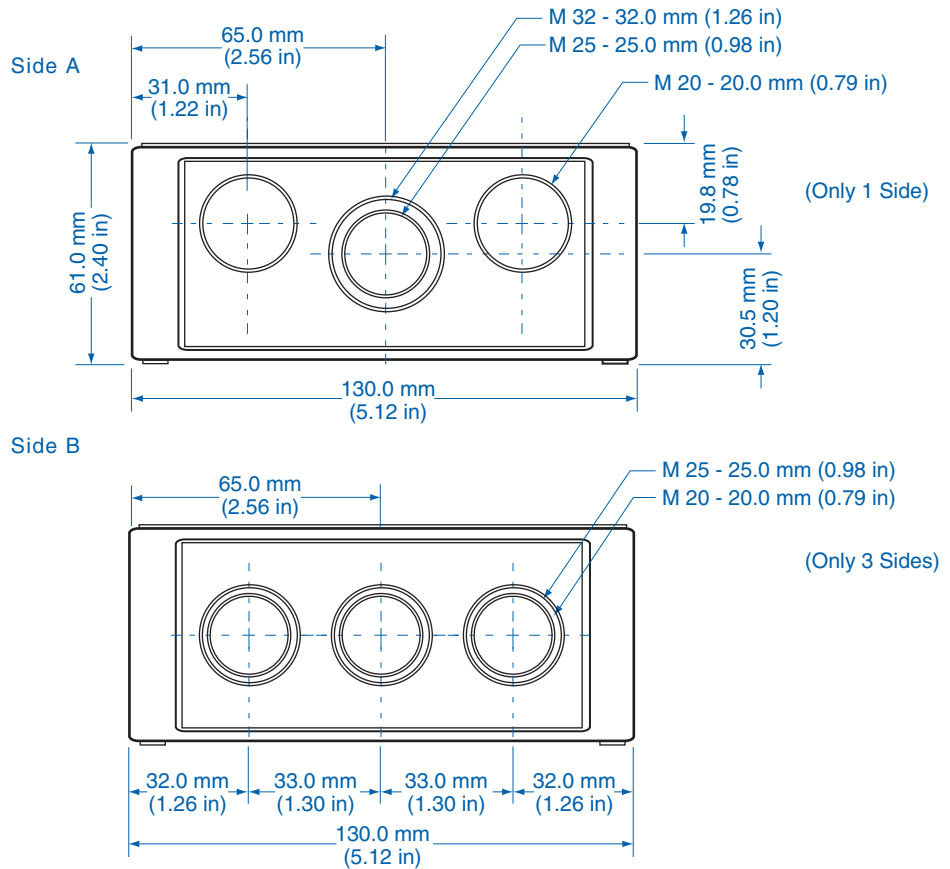
| Ordering Information | Cat. No. | Type | Std. Pk. |
|--------------------------|----------|------------|----------|
| Mounting Plate (plastic) | 195-005 | TKMPI-1313 | 1 |
| Mounting Plate (steel) | 197-005 | TKMPS-1313 | 1 |
| DIN Rail TS35-106mm | 198-106 | TS 35/106 | 1 |
| DIN Rail TS15-111mm | 197-111 | TS 15/111 | 1 |
| Hinge Kit Set | 190-002 | HK1 | 1 |
| Mounting Tab Kit | 194-001 | MT1 | 1 |

Please refer to pages 149-152 for additional accessories and detailed information.

Dimensions



Knockout Positions



TK 1809 – Polystyrene and Polycarbonate – 180 x 94 mm (7.09 x 3.70 in.)

Standard Features

- **Protection Level:** IP66 (NEMA Type: 4X and 12/12K)
- **Technical:** Smooth or Knockout Sidewalls
Gray or Tinted Transparent Cover
Multiple Enclosure Mounting Options
- **UL Recognized**
 - Enclosure Materials:** Polystyrene or Polycarbonate
 - Gasket Material:** Polyurethane
 - Color:** Light Gray
 - Material**
 - Temperature Range:** Polystyrene
-40°C to 70°C (-40°F to 158°F)
Polycarbonate
-40°C to 120°C (-40°F to 248°F)
- **Accessories:** See section below



Smooth Sidewalls

Polystyrene

Polycarbonate

| Ordering Information | Height mm (in) | Cat. No. | Type | Cover Color | Std. Pk. | Cat. No. | Type | Cover Color | Std. Pk. |
|--------------------------|-----------------|----------|--------------|-------------|----------|----------|--------------|-------------|----------|
| ☐ Enclosure - low cover | 57 mm (2.24 in) | 110-410 | PS 1809-6-o | gray | 2 | 120-410 | PC 1809-6-o | gray | 2 |
| ☐ Enclosure - high cover | 81 mm (3.19 in) | 110-910 | PS 1809-8-o | gray | 2 | 120-910 | PC 1809-8-o | gray | 2 |
| ☐ Enclosure - low cover | 57 mm (2.24 in) | 111-010 | PS 1809-6-to | trans. | 2 | 130-010 | PC 1809-6-to | trans. | 2 |
| ☐ Enclosure - high cover | 81 mm (3.19 in) | 111-510 | PS 1809-8-to | trans. | 2 | 130-510 | PC 1809-8-to | trans. | 2 |

Sidewalls with Metric Knockouts

Polystyrene

Polycarbonate

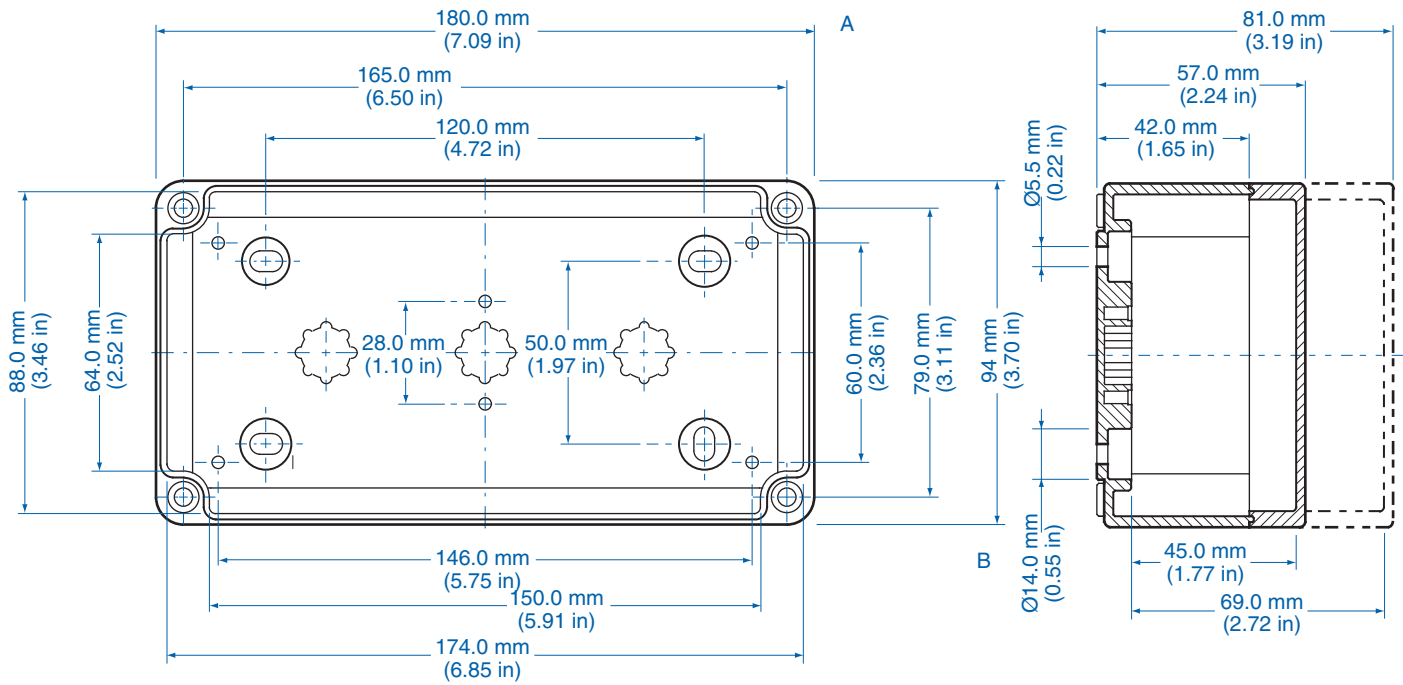
| Ordering Information | Height mm (in) | Cat. No. | Type | Cover Color | Std. Pk. | Cat. No. | Type | Cover Color | Std. Pk. |
|--------------------------|-----------------|----------|--------------|-------------|----------|----------|--------------|-------------|----------|
| ☐ Enclosure - low cover | 57 mm (2.24 in) | 105-410 | PS 1809-6-m | gray | 2 | 127-410 | PC 1809-6-m | gray | 2 |
| ☐ Enclosure - high cover | 81 mm (3.19 in) | 105-910 | PS 1809-8-m | gray | 2 | 127-910 | PC 1809-8-m | gray | 2 |
| ☐ Enclosure - low cover | 57 mm (2.24 in) | 106-010 | PS 1809-6-tm | trans. | 2 | 137-010 | PC 1809-6-tm | trans. | 2 |
| ☐ Enclosure - high cover | 81 mm (3.19 in) | 106-510 | PS 1809-8-tm | trans. | 2 | 137-510 | PC 1809-8-tm | trans. | 2 |

Accessories

| Ordering Information | Cat. No. | Type | Std. Pk. |
|--------------------------|----------|------------|----------|
| Mounting Plate (plastic) | 195-010 | TKMPI-1809 | 1 |
| Mounting Plate (steel) | 197-010 | TKMPS-1809 | 1 |
| DIN Rail TS35-144mm | 198-144 | TS 35/144 | 1 |
| DIN Rail TS15-154mm | 197-154 | TS 15/154 | 1 |
| Hinge Kit Set | 190-002 | HK1 | 1 |
| Mounting Tab Kit | 194-001 | MT1 | 1 |

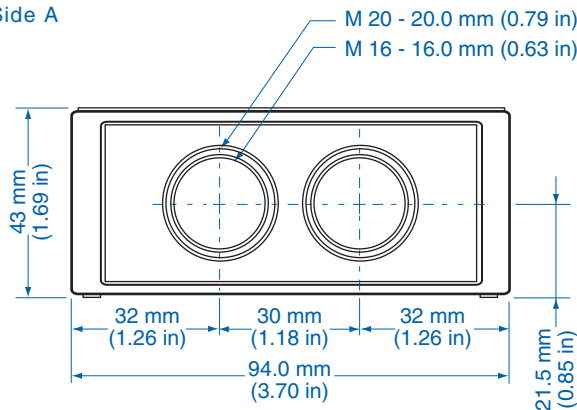
Please refer to pages 149-152 for additional accessories and detailed information.

Dimensions

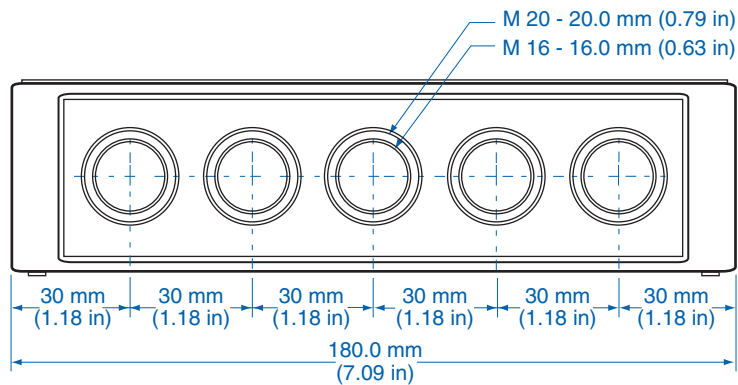


Knockout Positions

Side A



Side B



TK 1811f – Polystyrene and Polycarbonate – 180 x 110 mm (7.09 x 4.33 in.)

Standard Features

- **Protection Level:** IP66 (NEMA Type: 4X and 12/12K)
- **Technical:** Smooth or Knockout Sidewalls
Gray or Tinted Transparent Cover
Multiple Enclosure Mounting Options
- **UL Recognized**
 - Enclosure Materials:** Polystyrene or Polycarbonate
 - Gasket Material:** Polyurethane
 - Color:** Light Gray
 - Material**
 - Temperature Range:** Polystyrene
-40°C to 70°C (-40°F to 158°F)
Polycarbonate
-40°C to 120°C (-40°F to 248°F)
- **Accessories:** See section below



Smooth Sidewalls

Polystyrene

Polycarbonate

| Ordering Information | Height mm (in) | Cat. No. | Type | Cover Color | Std. Pk. | Cat. No. | Type | Cover Color | Std. Pk. |
|--|------------------|----------|----------------|-------------|----------|----------|----------------|-------------|----------|
| <input type="checkbox"/> Enclosure - low cover | 63 mm (2.48 in) | 110-414 | PS 1811-6f-o | gray | 2 | 120-414 | PC 1811-6f-o | gray | 2 |
| <input type="checkbox"/> Enclosure - high cover | 84 mm (3.31 in) | 110-914 | PS 1811-8f-o | gray | 2 | 120-914 | PC 1811-8f-o | gray | 2 |
| <input type="checkbox"/> Enclosure - top hat cover | 137 mm (5.39 in) | 109-414 | PS 1811-13f-o | gray | 2 | 121-414 | PC 1811-13f-o | gray | 2 |
| <input type="checkbox"/> Enclosure - low cover | 63 mm (2.48 in) | 111-014 | PS 1811-6f-to | trans. | 2 | 130-014 | PC 1811-6f-to | trans. | 2 |
| <input type="checkbox"/> Enclosure - high cover | 84 mm (3.31 in) | 111-514 | PS 1811-8f-to | trans. | 2 | 130-514 | PC 1811-8f-to | trans. | 2 |
| <input type="checkbox"/> Enclosure - top hat cover | 137 mm (5.39 in) | 112-014 | PS 1811-13f-to | trans. | 2 | 131-014 | PC 1811-13f-to | trans. | 2 |

Sidewalls with Metric Knockouts

Polystyrene

Polycarbonate

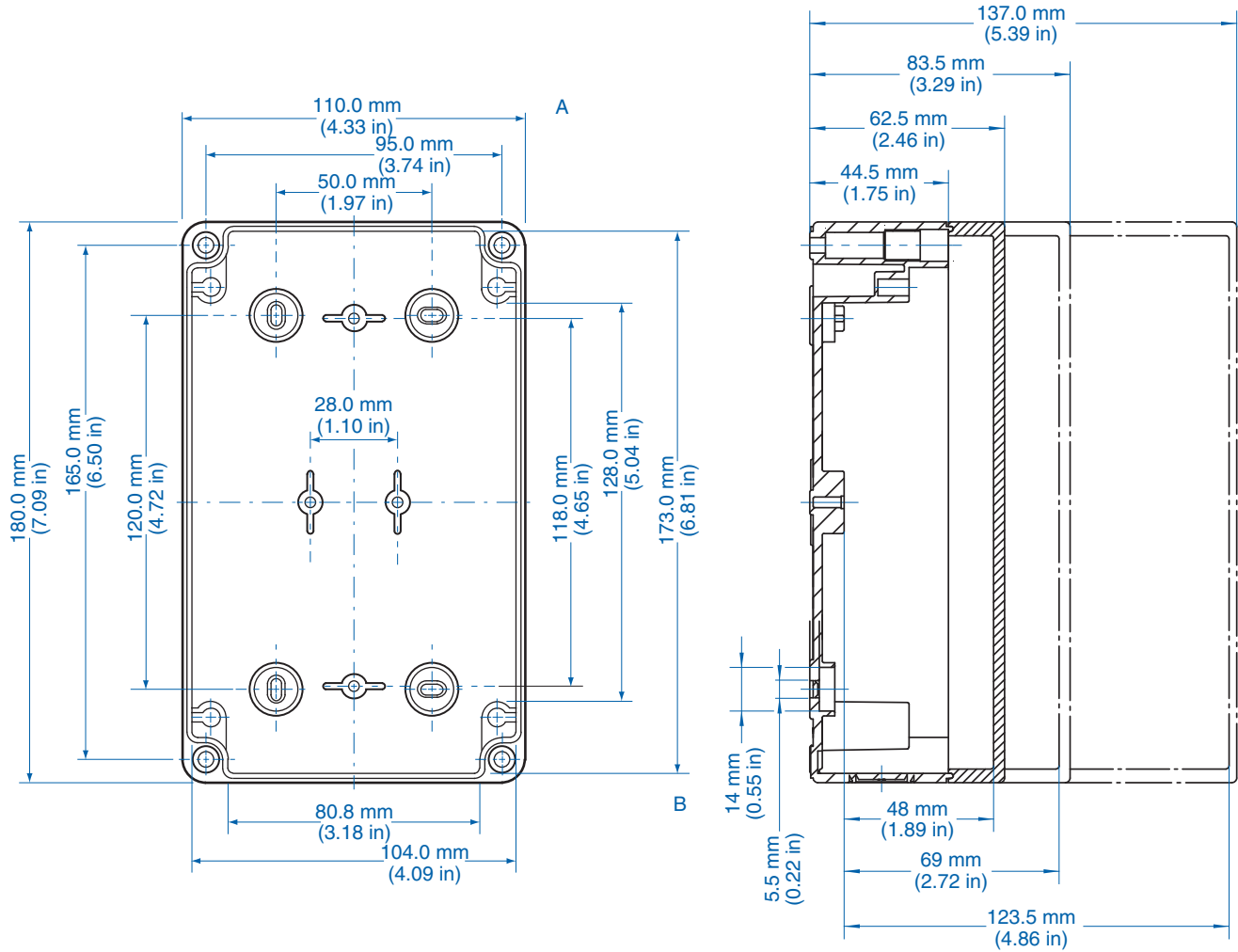
| Ordering Information | Height mm (in) | Cat. No. | Type | Cover Color | Std. Pk. | Cat. No. | Type | Cover Color | Std. Pk. |
|--|------------------|----------|----------------|-------------|----------|----------|----------------|-------------|----------|
| <input type="checkbox"/> Enclosure - low cover | 63 mm (2.48 in) | 105-414 | PS 1811-6f-m | gray | 2 | 127-414 | PC 1811-6f-m | gray | 2 |
| <input type="checkbox"/> Enclosure - high cover | 84 mm (3.31 in) | 105-914 | PS 1811-8f-m | gray | 2 | 127-914 | PC 1811-8f-m | gray | 2 |
| <input type="checkbox"/> Enclosure - top hat cover | 137 mm (5.39 in) | 104-414 | PS 1811-13f-m | gray | 2 | 128-414 | PC 1811-13f-m | gray | 2 |
| <input type="checkbox"/> Enclosure - low cover | 63 mm (2.48 in) | 106-014 | PS 1811-6f-tm | trans. | 2 | 137-014 | PC 1811-6f-tm | trans. | 2 |
| <input type="checkbox"/> Enclosure - high cover | 84 mm (3.31 in) | 106-514 | PS 1811-8f-tm | trans. | 2 | 137-514 | PC 1811-8f-tm | trans. | 2 |
| <input type="checkbox"/> Enclosure - top hat cover | 137 mm (5.39 in) | 107-014 | PS 1811-13f-tm | trans. | 2 | 138-014 | PC 1811-13f-tm | trans. | 2 |

Accessories

| Ordering Information | Cat. No. | Type | Std. Pk. |
|--------------------------|----------|------------|----------|
| Mounting Plate (plastic) | 195-006 | TKMPI-1811 | 1 |
| Mounting Plate (steel) | 197-006 | TKMPS-1811 | 1 |
| DIN Rail TS35-144mm | 198-144 | TS 35/144 | 1 |
| Hinge Kit Set | 190-005 | HK2 | 1 |
| Mounting Tab Kit | 194-001 | MT1 | 1 |

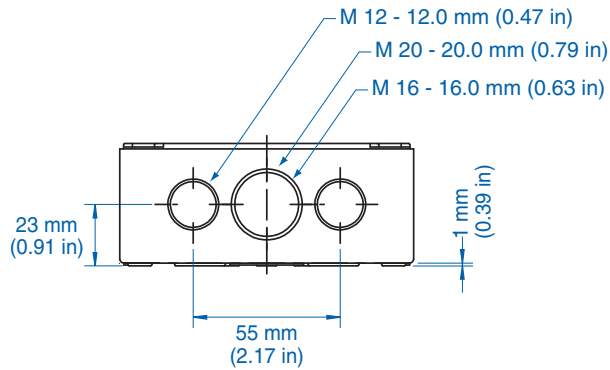
Please refer to pages 149-152 for additional accessories and detailed information.

Dimensions

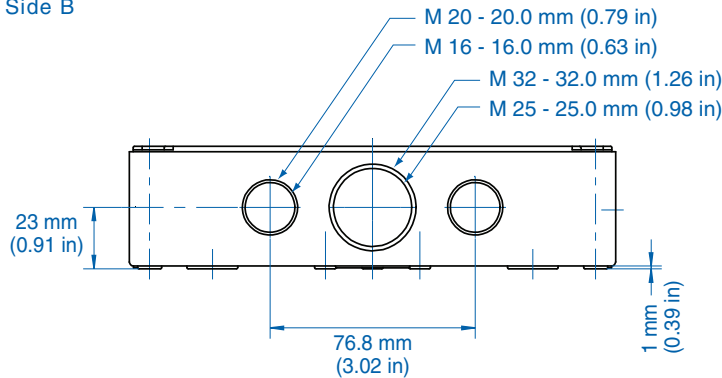


Knockout Positions

Side A



Side B



TK 1811 – Polystyrene and Polycarbonate – 180 x 110 mm (7.09 x 4.33 in.)

Standard Features

- **Protection Level:** IP66 (NEMA Type: 4X and 12/12K)
- **Technical:** Smooth or Knockout Sidewalls
Gray or Tinted Transparent Cover
Multiple Enclosure Mounting Options
- **UL Recognized**
 - **Enclosure Materials:** Polystyrene or Polycarbonate
 - **Gasket Material:** Polyurethane
 - **Color:** Light Gray
 - **Material**
 - **Temperature Range:** Polystyrene
-40°C to 70°C (-40°F to 158°F)
Polycarbonate
-40°C to 120°C (-40°F to 248°F)
- **Accessories:** See section below



Smooth Sidewalls

Polystyrene

Polycarbonate

| Ordering Information | Height mm (in) | Cat. No. | Type | Cover Color | Std. Pk. | Cat. No. | Type | Cover Color | Std. Pk. |
|--|------------------|----------|---------------|-------------|----------|----------|---------------|-------------|----------|
| <input type="checkbox"/> Enclosure - low cover | 90 mm (3.54 in) | 110-406 | PS 1811-9-o | gray | 2 | 120-406 | PC 1811-9-o | gray | 2 |
| <input type="checkbox"/> Enclosure - high cover | 111 mm (4.37 in) | 110-906 | PS 1811-11-o | gray | 2 | 120-906 | PC 1811-11-o | gray | 2 |
| <input type="checkbox"/> Enclosure - top hat cover | 165 mm (6.50 in) | 109-406 | PS 1811-16-o | gray | 2 | 121-406 | PC 1811-16-o | gray | 2 |
| <input type="checkbox"/> Enclosure - low cover | 90 mm (3.54 in) | 111-006 | PS 1811-9-to | trans. | 2 | 130-006 | PC 1811-9-to | trans. | 2 |
| <input type="checkbox"/> Enclosure - high cover | 111 mm (4.37 in) | 111-506 | PS 1811-11-to | trans. | 2 | 130-506 | PC 1811-11-to | trans. | 2 |
| <input type="checkbox"/> Enclosure - top hat cover | 165 mm (6.50 in) | 112-006 | PS 1811-16-to | trans. | 2 | 131-006 | PC 1811-16-to | trans. | 2 |

Sidewalls with Metric Knockouts

Polystyrene

Polycarbonate

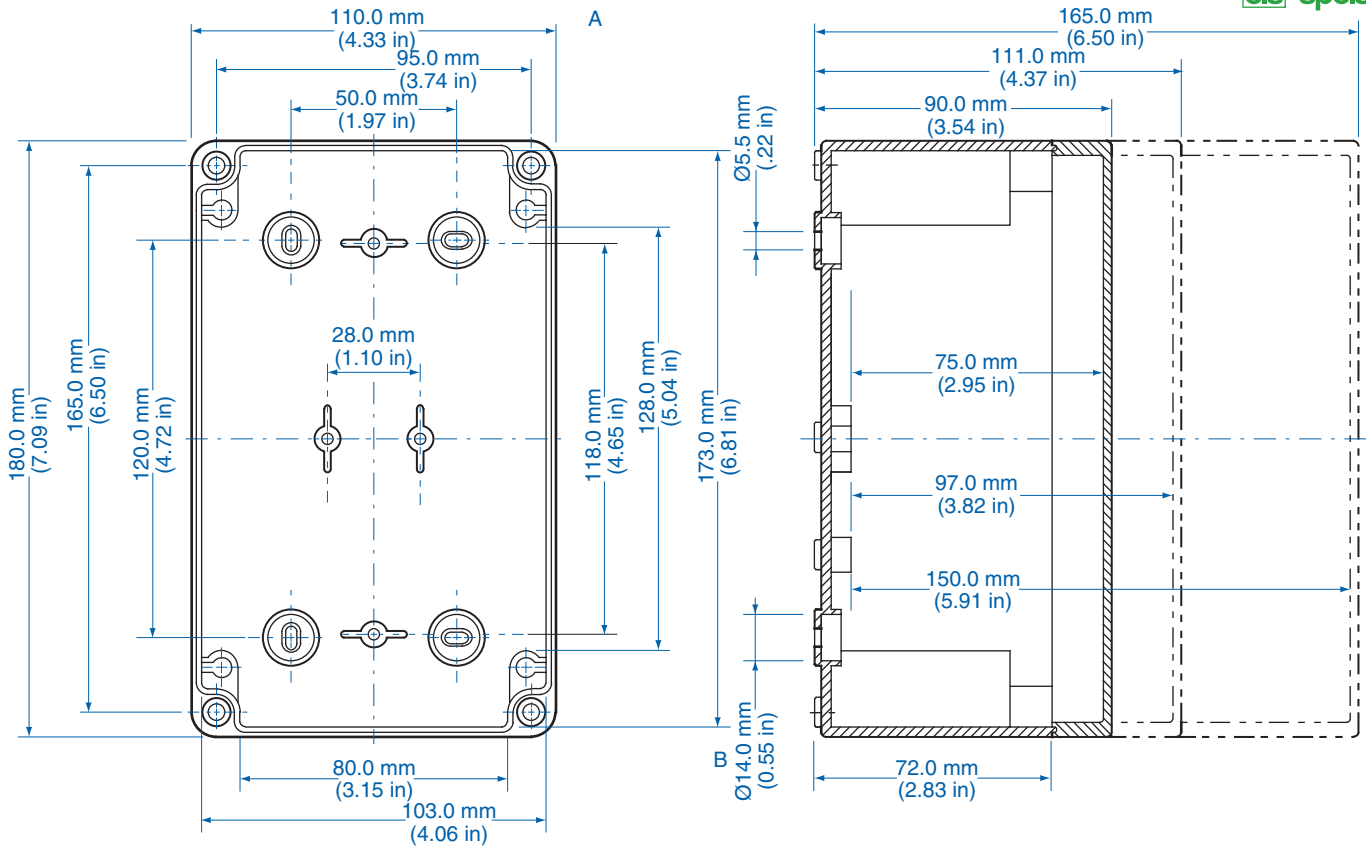
| Ordering Information | Height mm (in) | Cat. No. | Type | Cover Color | Std. Pk. | Cat. No. | Type | Cover Color | Std. Pk. |
|--|------------------|----------|---------------|-------------|----------|----------|---------------|-------------|----------|
| <input type="checkbox"/> Enclosure - low cover | 90 mm (3.54 in) | 105-406 | PS 1811-9-m | gray | 2 | 127-406 | PC 1811-9-m | gray | 2 |
| <input type="checkbox"/> Enclosure - high cover | 111 mm (4.37 in) | 105-906 | PS 1811-11-m | gray | 2 | 127-906 | PC 1811-11-m | gray | 2 |
| <input type="checkbox"/> Enclosure - top hat cover | 165 mm (6.50 in) | 104-406 | PS 1811-16-m | gray | 2 | 128-406 | PC 1811-16-m | gray | 2 |
| <input type="checkbox"/> Enclosure - low cover | 90 mm (3.54 in) | 106-006 | PS 1811-9-tm | trans. | 2 | 137-006 | PC 1811-9-tm | trans. | 2 |
| <input type="checkbox"/> Enclosure - high cover | 111 mm (4.37 in) | 106-506 | PS 1811-11-tm | trans. | 2 | 137-506 | PC 1811-11-tm | trans. | 2 |
| <input type="checkbox"/> Enclosure - top hat cover | 165 mm (6.50 in) | 107-006 | PS 1811-16-tm | trans. | 2 | 138-006 | PC 1811-16-tm | trans. | 2 |

Accessories

| Ordering Information | Cat. No. | Type | Std. Pk. |
|--------------------------|----------|------------|----------|
| Mounting Plate (plastic) | 195-006 | TKMPI-1811 | 1 |
| Mounting Plate (steel) | 197-006 | TKMPS-1811 | 1 |
| DIN Rail TS35-144mm | 198-144 | TS 35/144 | 1 |
| Hinge Kit Set | 190-005 | HK2 | 1 |
| Mounting Tab Kit | 194-001 | MT1 | 1 |

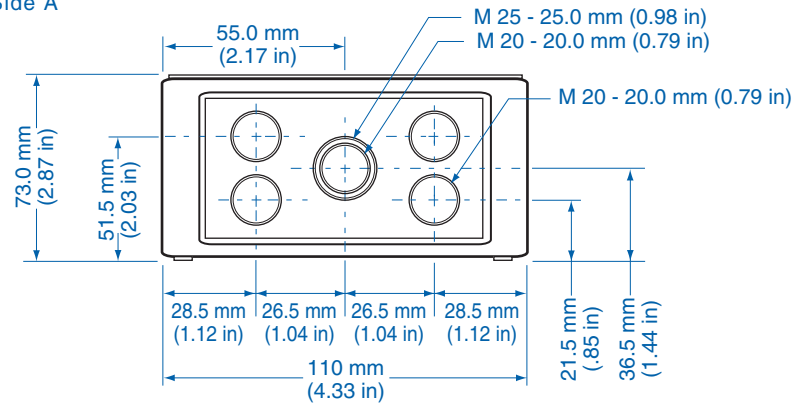
Please refer to pages 149-152 for additional accessories and detailed information.

Dimensions

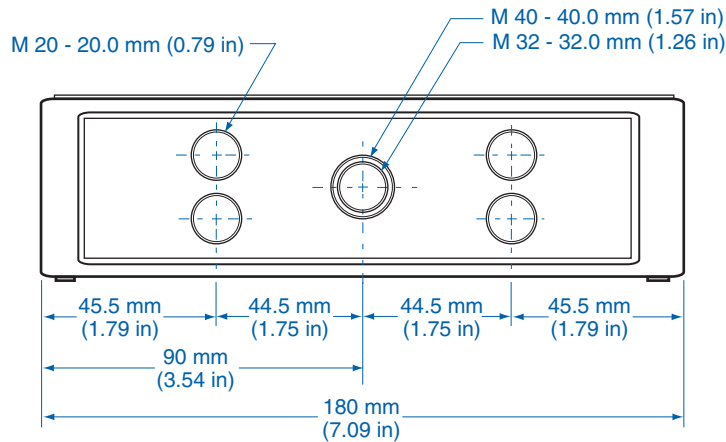


Knockout Positions

Side A



Side B





Standard Features

- **Protection Level:** IP66 (NEMA Type: 4X and 12/12K)
- **Technical:** Smooth or Knockout Sidewalls
Gray or Tinted Transparent Cover
Multiple Enclosure Mounting Options
- **UL Recognized**
 - Enclosure Materials:** Polystyrene or Polycarbonate
 - Gasket Material:** Polyurethane
 - Color:** Light Gray
 - Material**
 - Temperature Range:** Polystyrene
-40°C to 70°C (-40°F to 158°F)
Polycarbonate
-40°C to 120°C (-40°F to 248°F)
- **Accessories:** See section below



Smooth Sidewalls

| | | | Polystyrene | | | Polycarbonate | | | |
|---------------------------|------------------|----------|----------------|-------------|----------|---------------|----------------|-------------|----------|
| Ordering Information | Height mm (in) | Cat. No. | Type | Cover Color | Std. Pk. | Cat. No. | Type | Cover Color | Std. Pk. |
| Enclosure - low cover | 63 mm (2.48 in) | 110-415 | PS 1813-6f-o | gray | 2 | 120-415 | PC 1813-6f-o | gray | 2 |
| Enclosure - high cover | 84 mm (3.31 in) | 110-915 | PS 1813-8f-o | gray | 2 | 120-915 | PC 1813-8f-o | gray | 2 |
| Enclosure - top hat cover | 137 mm (5.39 in) | 109-415 | PS 1813-13f-o | gray | 1 | 121-415 | PC 1813-13f-o | gray | 1 |
| Enclosure - low cover | 63 mm (2.48 in) | 111-015 | PS 1813-6f-to | trans. | 2 | 130-015 | PC 1813-6f-to | trans. | 2 |
| Enclosure - high cover | 84 mm (3.31 in) | 111-515 | PS 1813-8f-to | trans. | 2 | 130-515 | PC 1813-8f-to | trans. | 2 |
| Enclosure - top hat cover | 137 mm (5.39 in) | 112-015 | PS 1813-13f-to | trans. | 1 | 131-015 | PC 1813-13f-to | trans. | 1 |

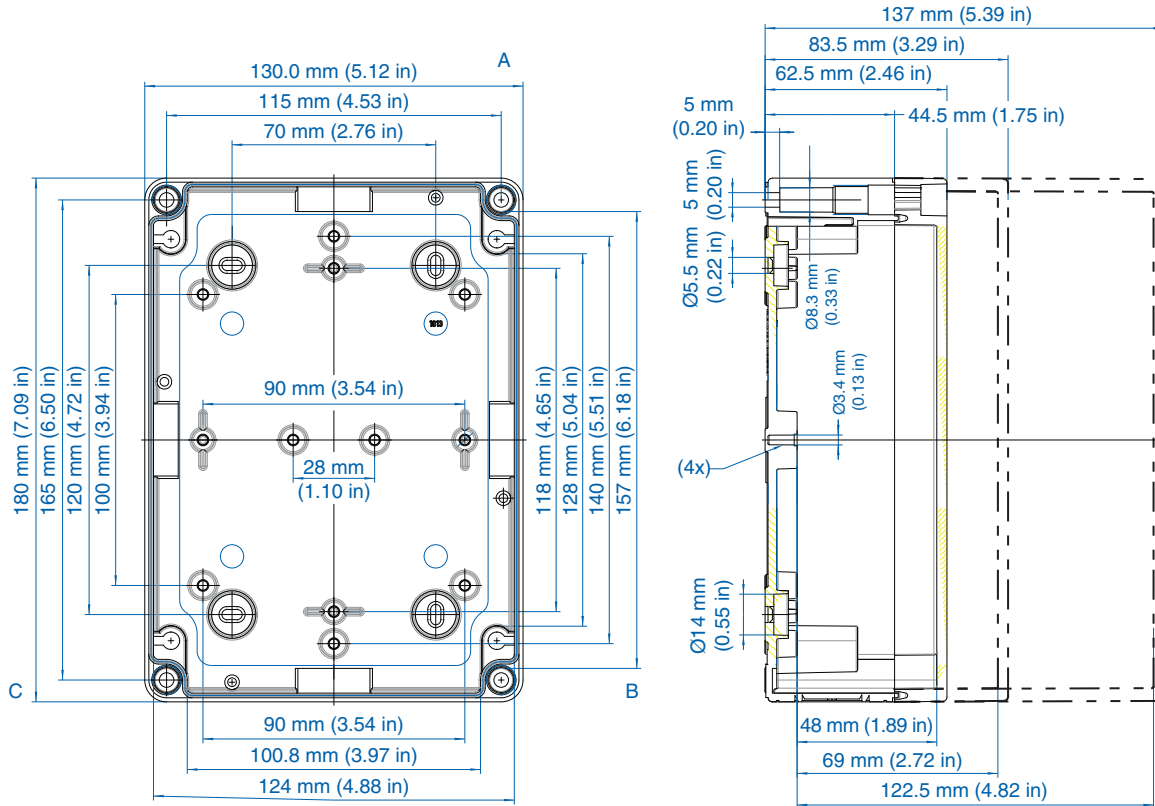
Sidewalls with Metric Knockouts

| | | | Polystyrene | | | Polycarbonate | | | |
|---------------------------|------------------|----------|----------------|-------------|----------|---------------|----------------|-------------|----------|
| Ordering Information | Height mm (in) | Cat. No. | Type | Cover Color | Std. Pk. | Cat. No. | Type | Cover Color | Std. Pk. |
| Enclosure - low cover | 63 mm (2.48 in) | 105-415 | PS 1813-6f-m | gray | 2 | 127-415 | PC 1813-6f-m | gray | 2 |
| Enclosure - high cover | 84 mm (3.31 in) | 105-915 | PS 1813-8f-m | gray | 2 | 127-915 | PC 1813-8f-m | gray | 2 |
| Enclosure - top hat cover | 137 mm (5.39 in) | 104-415 | PS 1813-13f-m | gray | 1 | 128-415 | PC 1813-13f-m | gray | 1 |
| Enclosure - low cover | 63 mm (2.48 in) | 106-015 | PS 1813-6f-tm | trans. | 2 | 137-015 | PC 1813-6f-tm | trans. | 2 |
| Enclosure - high cover | 84 mm (3.31 in) | 106-515 | PS 1813-8f-tm | trans. | 2 | 137-515 | PC 1813-8f-tm | trans. | 2 |
| Enclosure - top hat cover | 137 mm (5.39 in) | 107-015 | PS 1813-13f-tm | trans. | 1 | 138-015 | PC 1813-13f-tm | trans. | 1 |

Accessories

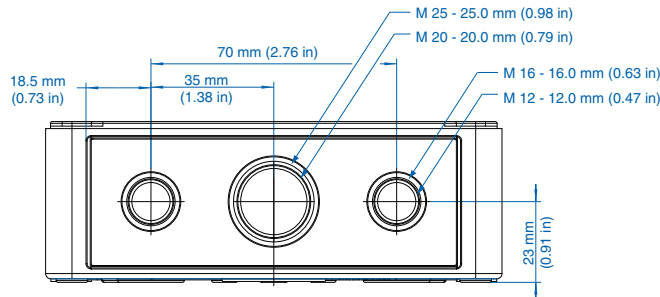
| Ordering Information | Cat. No. | Type | Std. Pk. |
|--------------------------|----------|------------|----------|
| Mounting Plate (plastic) | 195-011 | TKMPI-1813 | 1 |
| Mounting Plate (steel) | 197-011 | TKMPS-1813 | 1 |
| DIN Rail TS35-144mm | 198-144 | TS 35/144 | 1 |
| Hinge Kit Set | 190-005 | HK2 | 1 |
| Mounting Tab Kit | 194-001 | MT1 | 1 |

Please refer to pages 149-152 for additional accessories and detailed information.

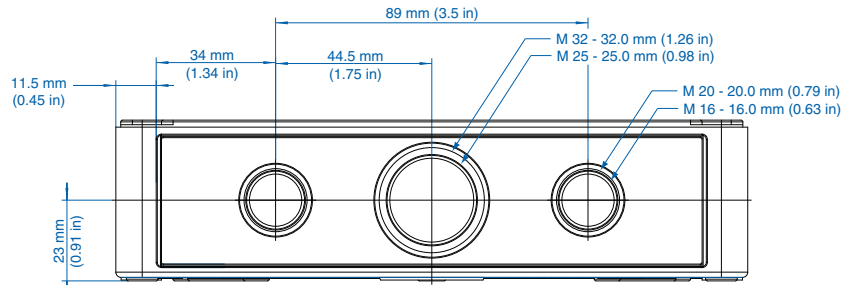


Knockout Positions

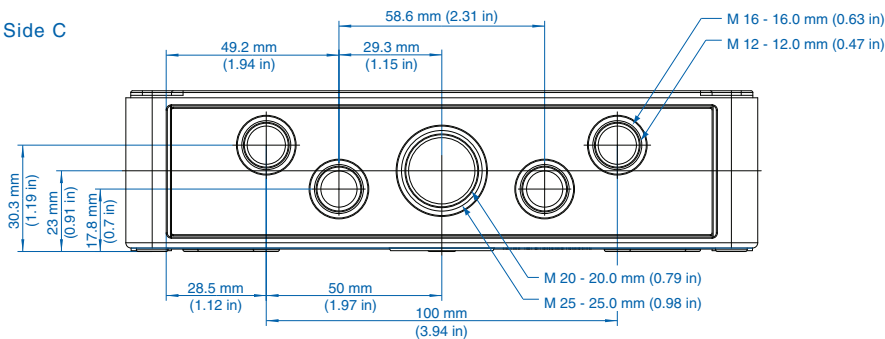
Side A (2x)



Side B



Side C





Standard Features

- **Protection Level:** IP66 (NEMA Type: 4X and 12/12K)
- **Technical:** Smooth or Knockout Sidewalls
Gray or Tinted Transparent Cover
Multiple Enclosure Mounting Options
- **UL Recognized**
 - **Enclosure Materials:** Polystyrene or Polycarbonate
 - **Gasket Material:** Polyurethane
 - **Color:** Light Gray
 - **Material**
 - **Temperature Range:** Polystyrene
-40°C to 70°C (-40°F to 158°F)
Polycarbonate
-40°C to 120°C (-40°F to 248°F)
- **Accessories:** See section below



Smooth Sidewalls

Polystyrene

Polycarbonate

| Ordering Information | Height mm (in) | Cat. No. | Type | Cover Color | Std. Pk. | Cat. No. | Type | Cover Color | Std. Pk. |
|--|------------------|----------|---------------|-------------|----------|----------|---------------|-------------|----------|
| <input type="checkbox"/> Enclosure - low cover | 90 mm (3.54 in) | 110-416 | PS 1813-9-o | gray | 2 | 120-416 | PC 1813-9-o | gray | 2 |
| <input type="checkbox"/> Enclosure - high cover | 111 mm (4.37 in) | 110-916 | PS 1813-11-o | gray | 2 | 120-916 | PC 1813-11-o | gray | 2 |
| <input type="checkbox"/> Enclosure - top hat cover | 165 mm (6.50 in) | 109-416 | PS 1813-16-o | gray | 1 | 121-416 | PC 1813-16-o | gray | 1 |
| <input type="checkbox"/> Enclosure - low cover | 90 mm (3.54 in) | 111-016 | PS 1813-9-to | trans. | 2 | 130-016 | PC 1813-9-to | trans. | 2 |
| <input type="checkbox"/> Enclosure - high cover | 111 mm (4.37 in) | 111-516 | PS 1813-11-to | trans. | 2 | 130-516 | PC 1813-11-to | trans. | 2 |
| <input type="checkbox"/> Enclosure - top hat cover | 165 mm (6.50 in) | 112-016 | PS 1813-16-to | trans. | 1 | 131-016 | PC 1813-16-to | trans. | 1 |

Sidewalls with Metric Knockouts

Polystyrene

Polycarbonate

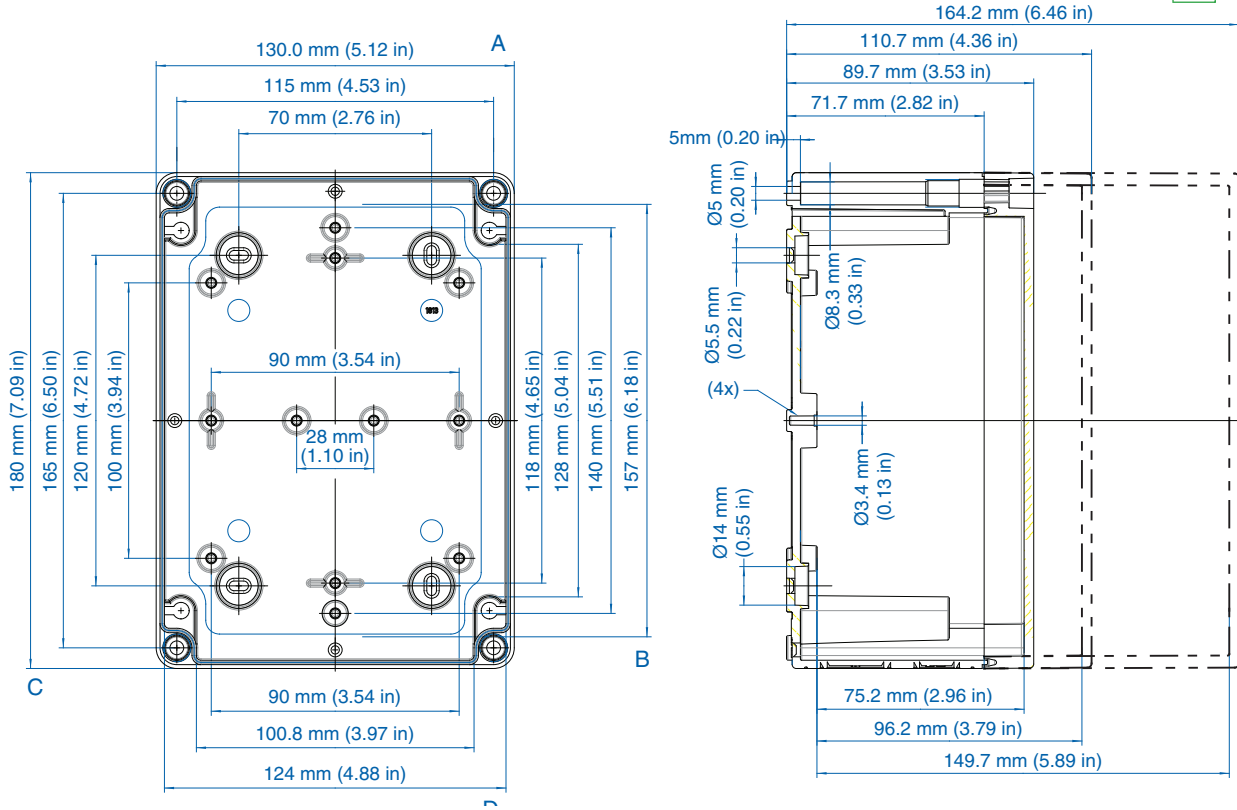
| Ordering Information | Height mm (in) | Cat. No. | Type | Cover Color | Std. Pk. | Cat. No. | Type | Cover Color | Std. Pk. |
|--|------------------|----------|---------------|-------------|----------|----------|---------------|-------------|----------|
| <input type="checkbox"/> Enclosure - low cover | 90 mm (3.54 in) | 105-416 | PS 1813-9-m | gray | 2 | 127-416 | PC 1813-9-m | gray | 2 |
| <input type="checkbox"/> Enclosure - high cover | 111 mm (4.37 in) | 105-916 | PS 1813-11-m | gray | 2 | 127-916 | PC 1813-11-m | gray | 2 |
| <input type="checkbox"/> Enclosure - top hat cover | 165 mm (6.50 in) | 104-416 | PS 1813-16-m | gray | 1 | 128-416 | PC 1813-16-m | gray | 1 |
| <input type="checkbox"/> Enclosure - low cover | 90 mm (3.54 in) | 106-016 | PS 1813-9-tm | trans. | 2 | 137-016 | PC 1813-9-tm | trans. | 2 |
| <input type="checkbox"/> Enclosure - high cover | 111 mm (4.37 in) | 106-516 | PS 1813-11-tm | trans. | 2 | 137-516 | PC 1813-11-tm | trans. | 2 |
| <input type="checkbox"/> Enclosure - top hat cover | 165 mm (6.50 in) | 107-016 | PS 1813-16-tm | trans. | 1 | 138-016 | PC 1813-16-tm | trans. | 1 |

Accessories

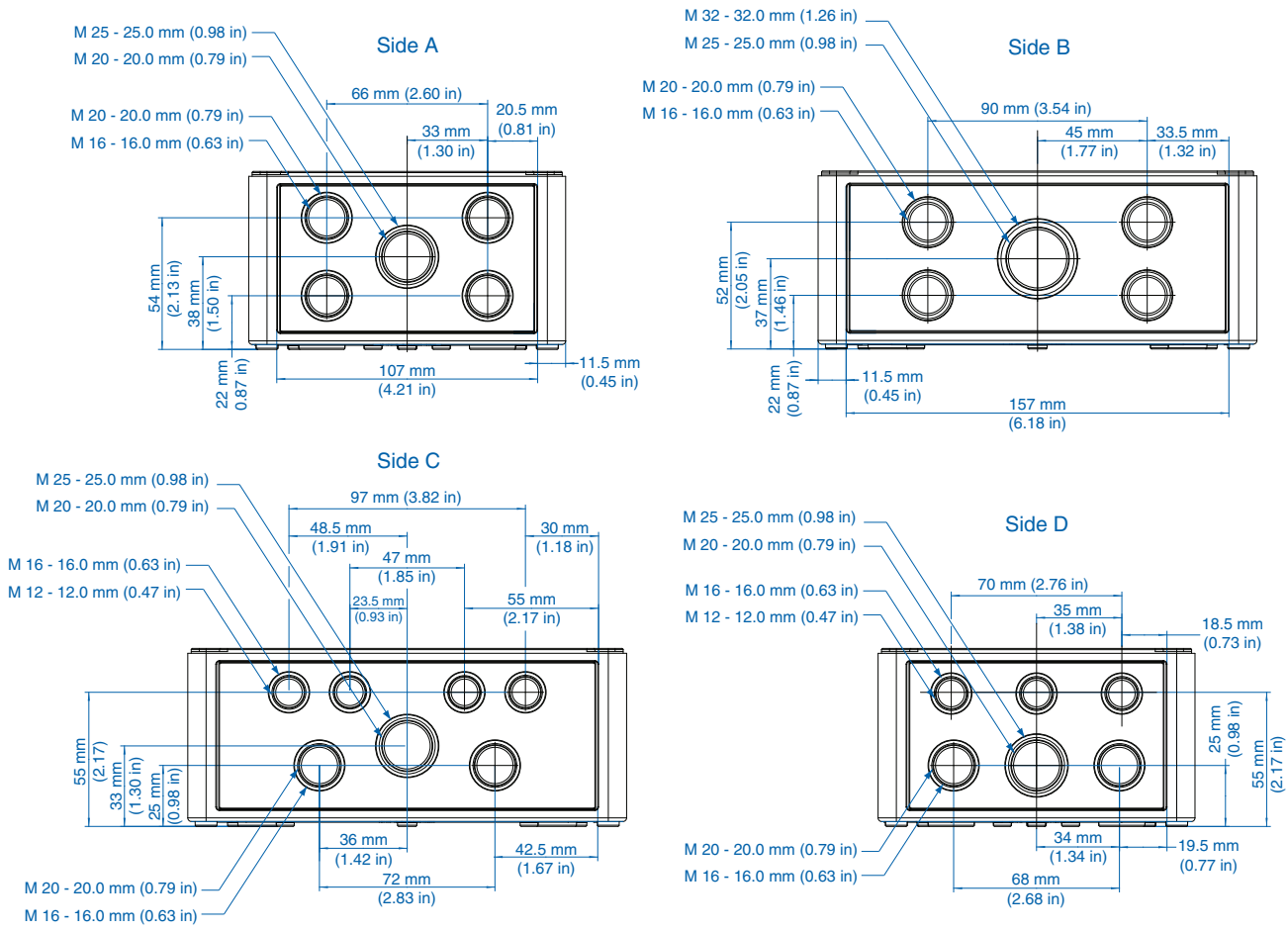
| Ordering Information | Cat. No. | Type | Std. Pk. |
|--------------------------|----------|------------|----------|
| Mounting Plate (plastic) | 195-011 | TKMPI-1813 | 1 |
| Mounting Plate (steel) | 197-011 | TKMPS-1813 | 1 |
| DIN Rail TS35-144mm | 198-144 | TS 35/144 | 1 |
| Hinge Kit Set | 190-005 | HK2 | 1 |
| Mounting Tab Kit | 194-001 | MT1 | 1 |

Please refer to pages 149-152 for additional accessories and detailed information.

Dimensions



Knockout Positions



TK 1818f – Polystyrene and Polycarbonate – 182 x 180 mm (7.17 x 7.09 in.)

Standard Features

- **Protection Level:** IP66 (NEMA Type: 4X and 12/12K)
- **Technical:** Smooth or Knockout Sidewalls
Gray or Tinted Transparent Cover
Multiple Enclosure Mounting Options
- **UL Recognized**
 - **Enclosure Materials:** Polystyrene or Polycarbonate
 - **Gasket Material:** Polyurethane
 - **Color:** Light Gray
 - **Material**
 - **Temperature Range:** Polystyrene
-40°C to 70°C (-40°F to 158°F)
Polycarbonate
-40°C to 120°C (-40°F to 248°F)
- **Accessories:** See section below



Smooth Sidewalls

Polystyrene

Polycarbonate

| Ordering Information | Height mm (in) | Cat. No. | Type | Cover Color | Std. Pk. | Cat. No. | Type | Cover Color | Std. Pk. |
|-----------------------------|------------------|----------|----------------|-------------|----------|----------|----------------|-------------|----------|
| ☐ Enclosure - low cover | 63 mm (2.48 in) | 110-413 | PS 1818-6f-o | gray | 2 | 120-413 | PC 1818-6f-o | gray | 2 |
| ☐ Enclosure - high cover | 84 mm (3.31 in) | 110-913 | PS 1818-8f-o | gray | 2 | 120-913 | PC 1818-8f-o | gray | 2 |
| ☐ Enclosure - top hat cover | 137 mm (5.39 in) | 109-413 | PS 1818-13f-o | gray | 1 | 121-413 | PC 1818-13f-o | gray | 1 |
| ☐ Enclosure - low cover | 63 mm (2.48 in) | 111-013 | PS 1818-6f-to | trans. | 2 | 130-013 | PC 1818-6f-to | trans. | 2 |
| ☐ Enclosure - high cover | 84 mm (3.31 in) | 111-513 | PS 1818-8f-to | trans. | 2 | 130-513 | PC 1818-8f-to | trans. | 2 |
| ☐ Enclosure - top hat cover | 137 mm (5.39 in) | 112-013 | PS 1818-13f-to | trans. | 1 | 131-013 | PC 1818-13f-to | trans. | 1 |

Sidewalls with Metric Knockouts

Polystyrene

Polycarbonate

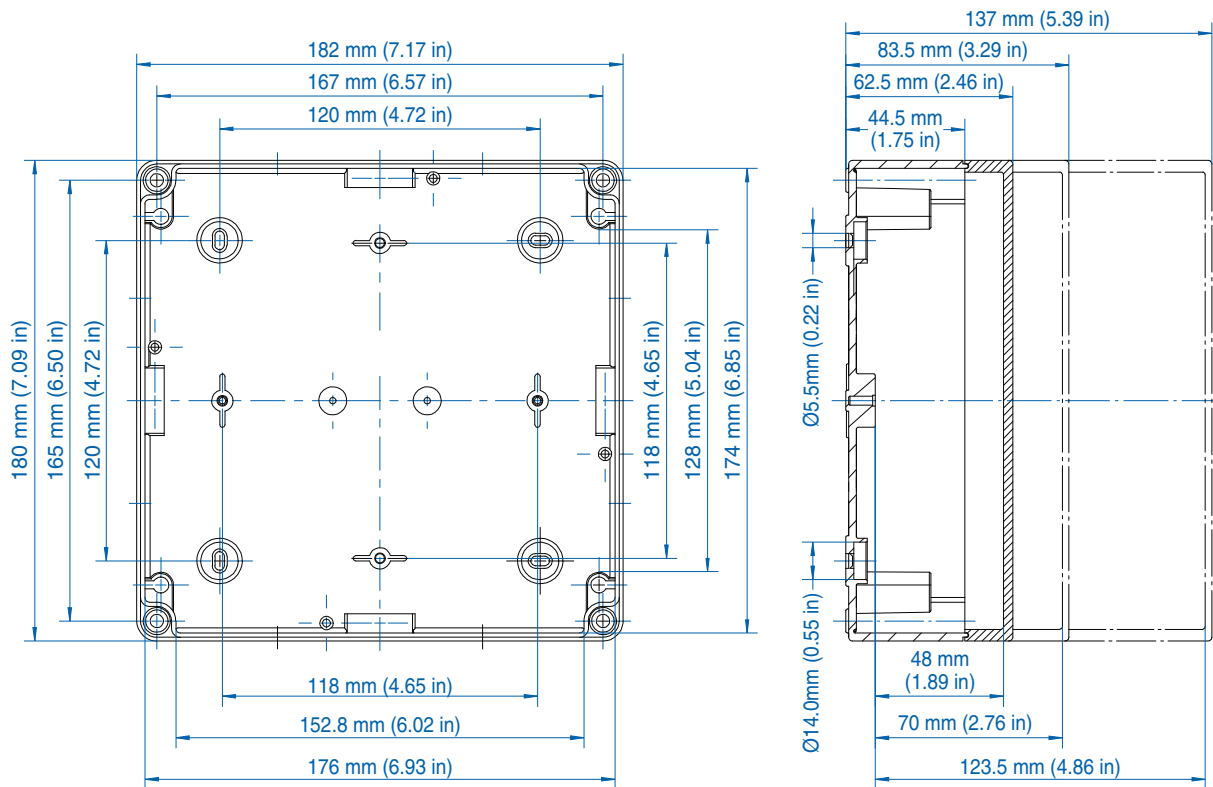
| Ordering Information | Height mm (in) | Cat. No. | Type | Cover Color | Std. Pk. | Cat. No. | Type | Cover Color | Std. Pk. |
|-----------------------------|------------------|----------|----------------|-------------|----------|----------|----------------|-------------|----------|
| ☐ Enclosure - low cover | 63 mm (2.48 in) | 105-413 | PS 1818-6f-m | gray | 2 | 127-413 | PC 1818-6f-m | gray | 2 |
| ☐ Enclosure - high cover | 84 mm (3.31 in) | 105-913 | PS 1818-8f-m | gray | 2 | 127-913 | PC 1818-8f-m | gray | 2 |
| ☐ Enclosure - top hat cover | 137 mm (5.39 in) | 104-413 | PS 1818-13f-m | gray | 1 | 128-413 | PC 1818-13f-m | gray | 1 |
| ☐ Enclosure - low cover | 63 mm (2.48 in) | 106-013 | PS 1818-6f-tm | trans. | 2 | 137-013 | PC 1818-6f-tm | trans. | 2 |
| ☐ Enclosure - high cover | 84 mm (3.31 in) | 106-513 | PS 1818-8f-tm | trans. | 2 | 137-513 | PC 1818-8f-tm | trans. | 2 |
| ☐ Enclosure - top hat cover | 137 mm (5.39 in) | 107-013 | PS 1818-13f-tm | trans. | 1 | 138-013 | PC 1818-13f-tm | trans. | 1 |

Accessories

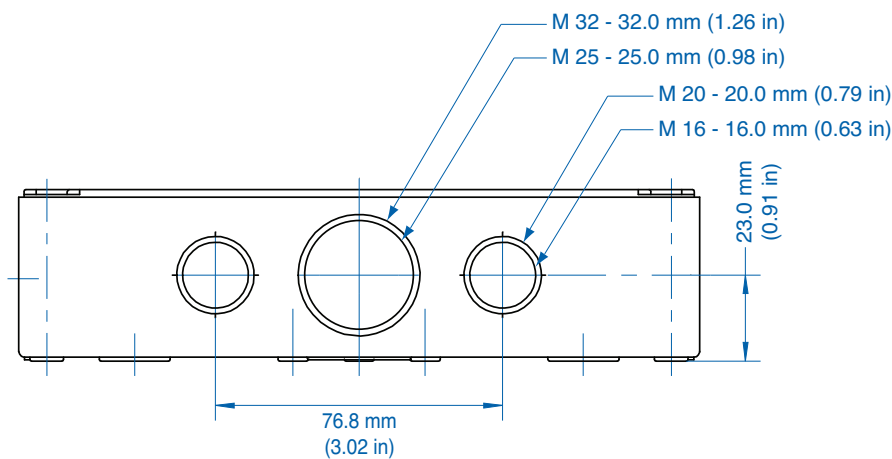
| Ordering Information | Cat. No. | Type | Std. Pk. |
|--------------------------|----------|------------|----------|
| Mounting Plate (plastic) | 195-007 | TKMPI-1818 | 1 |
| Mounting Plate (steel) | 197-007 | TKMPS-1818 | 1 |
| DIN Rail TS35-144mm | 198-144 | TS 35/144 | 1 |
| Hinge Kit Set | 190-005 | HK2 | 1 |
| Mounting Tab Kit | 194-001 | MT1 | 1 |

Please refer to pages 149-152 for additional accessories and detailed information.

Dimensions



Knockout Positions



TK 1818 – Polystyrene and Polycarbonate – 182 x 180 mm (7.17 x 7.09 in.)

Standard Features

- **Protection Level:** IP66 (NEMA Type: 4X and 12/12K)
- **Technical:** Smooth or Knockout Sidewalls
Gray or Tinted Transparent Cover
Multiple Enclosure Mounting Options
- **UL Recognized**
Enclosure Materials: Polystyrene or Polycarbonate
- **Gasket Material:** Polyurethane
- **Color:** Light Gray
- **Material**
Temperature Range: Polystyrene
-40°C to 70°C (-40°F to 158°F)
Polycarbonate
-40°C to 120°C (-40°F to 248°F)
- **Accessories:** See section below



Smooth Sidewalls

Polystyrene

Polycarbonate

| Ordering Information | Height mm (in) | Cat. No. | Type | Cover Color | Std. Pk. | Cat. No. | Type | Cover Color | Std. Pk. |
|--|------------------|----------|---------------|-------------|----------|----------|---------------|-------------|----------|
| <input type="checkbox"/> Enclosure - low cover | 90 mm (3.54 in) | 110-407 | PS 1818-9-o | gray | 2 | 120-407 | PC 1818-9-o | gray | 2 |
| <input type="checkbox"/> Enclosure - high cover | 111 mm (4.37 in) | 110-907 | PS 1818-11-o | gray | 2 | 120-907 | PC 1818-11-o | gray | 2 |
| <input type="checkbox"/> Enclosure - top hat cover | 165 mm (6.50 in) | 109-407 | PS 1818-16-o | gray | 1 | 121-407 | PC 1818-16-o | gray | 1 |
| <input type="checkbox"/> Enclosure - low cover | 90 mm (3.54 in) | 111-007 | PS 1818-9-to | trans. | 2 | 130-007 | PC 1818-9-to | trans. | 2 |
| <input type="checkbox"/> Enclosure - high cover | 111 mm (4.37 in) | 111-507 | PS 1818-11-to | trans. | 2 | 130-507 | PC 1818-11-to | trans. | 2 |
| <input type="checkbox"/> Enclosure - top hat cover | 165 mm (6.50 in) | 112-007 | PS 1818-16-to | trans. | 1 | 131-007 | PC 1818-16-to | trans. | 1 |

Sidewalls with Metric Knockouts

Polystyrene

Polycarbonate

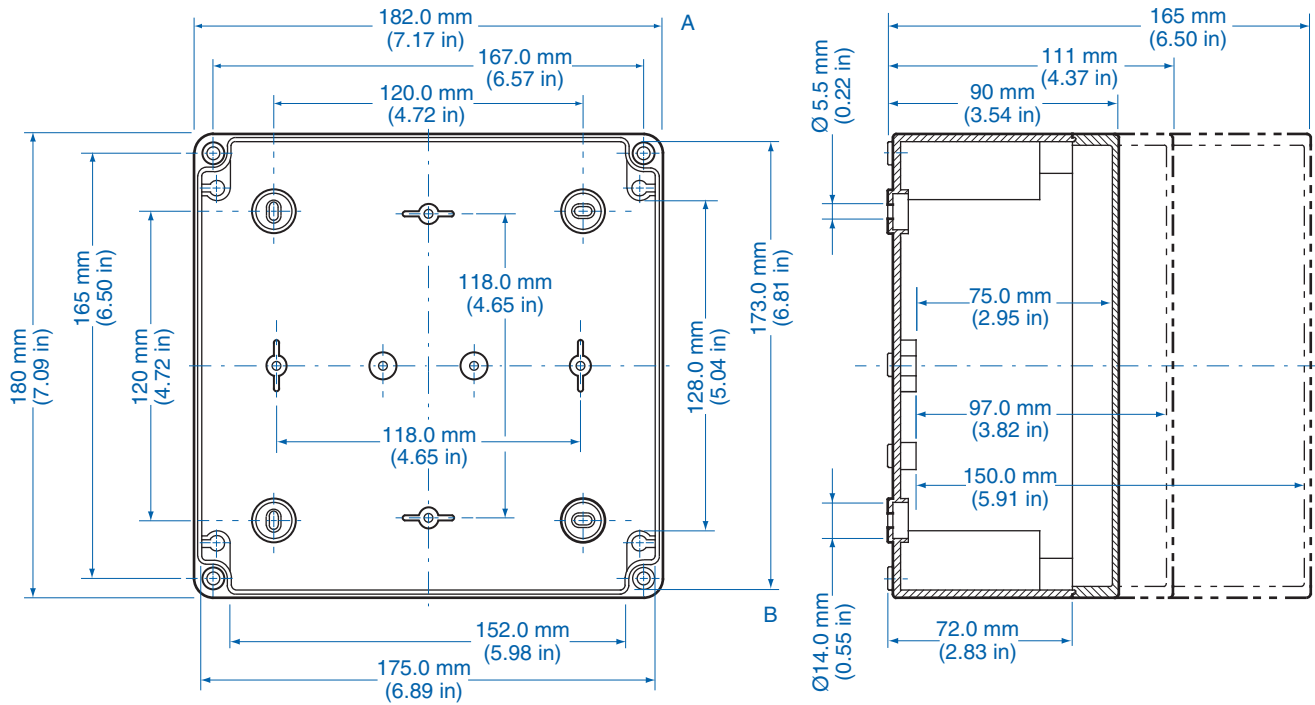
| Ordering Information | Height mm (in) | Cat. No. | Type | Cover Color | Std. Pk. | Cat. No. | Type | Cover Color | Std. Pk. |
|--|------------------|----------|---------------|-------------|----------|----------|---------------|-------------|----------|
| <input type="checkbox"/> Enclosure - low cover | 90 mm (3.54 in) | 105-407 | PS 1818-9-m | gray | 2 | 127-407 | PC 1818-9-m | gray | 2 |
| <input type="checkbox"/> Enclosure - high cover | 111 mm (4.37 in) | 105-907 | PS 1818-11-m | gray | 2 | 127-907 | PC 1818-11-m | gray | 2 |
| <input type="checkbox"/> Enclosure - top hat cover | 165 mm (6.50 in) | 104-407 | PS 1818-16-m | gray | 1 | 128-407 | PC 1818-16-m | gray | 1 |
| <input type="checkbox"/> Enclosure - low cover | 90 mm (3.54 in) | 106-007 | PS 1818-9-tm | trans. | 2 | 137-007 | PC 1818-9-tm | trans. | 2 |
| <input type="checkbox"/> Enclosure - high cover | 111 mm (4.37 in) | 106-507 | PS 1818-11-tm | trans. | 2 | 137-507 | PC 1818-11-tm | trans. | 2 |
| <input type="checkbox"/> Enclosure - top hat cover | 165 mm (6.50 in) | 107-007 | PS 1818-16-tm | trans. | 1 | 138-007 | PC 1818-16-tm | trans. | 1 |

Accessories

| Ordering Information | Cat. No. | Type | Std. Pk. |
|--------------------------|----------|------------|----------|
| Mounting Plate (plastic) | 195-007 | TKMPI-1818 | 1 |
| Mounting Plate (steel) | 197-007 | TKMPS-1818 | 1 |
| DIN Rail TS35-144mm | 198-144 | TS 35/144 | 1 |
| Hinge Kit Set | 190-005 | HK2 | 1 |
| Mounting Tab Kit | 194-001 | MT1 | 1 |

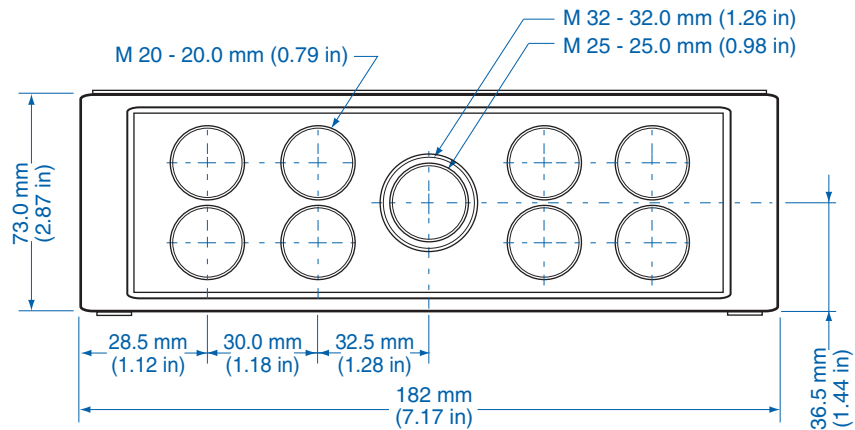
Please refer to pages 149-152 for additional accessories and detailed information.

Dimensions

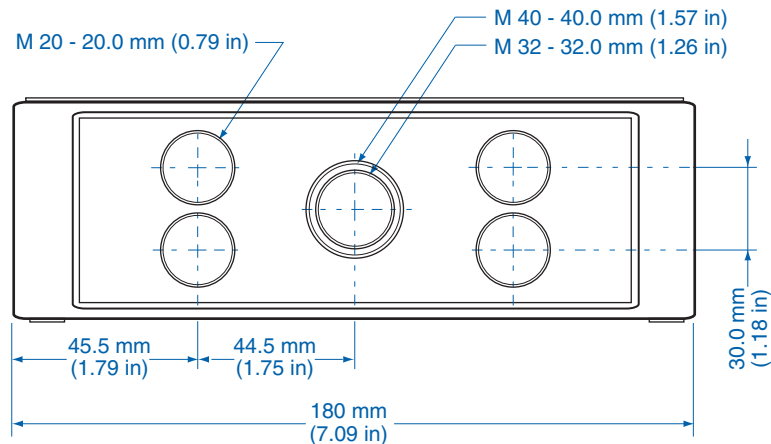


Knockout Positions

Side A



Side B



TK 2518f – Polystyrene and Polycarbonate – 254 x 180 mm (10.0 x 7.09 in.)

Standard Features

- **Protection Level:** IP66 (NEMA Type: 4X and 12/12K)
- **Technical:** Smooth or Knockout Sidewalls
Gray or Tinted Transparent Cover
Multiple Enclosure Mounting Options
- **UL Recognized**
Enclosure Materials: Polystyrene or Polycarbonate
- **Gasket Material:** Polyurethane
- **Color:** Light Gray
- **Material**
Temperature Range: Polystyrene
-40°C to 70°C (-40°F to 158°F)
Polycarbonate
-40°C to 120°C (-40°F to 248°F)
- **Accessories:** See section below



Smooth Sidewalls

Polystyrene

Polycarbonate

| Ordering Information | Height mm (in) | Cat. No. | Type | Cover Color | Std. Pk. | Cat. No. | Type | Cover Color | Std. Pk. |
|-----------------------------|------------------|----------|----------------|-------------|----------|----------|----------------|-------------|----------|
| ☐ Enclosure - low cover | 63 mm (2.48 in) | 110-411 | PS 2518-6f-o | gray | 1 | 120-411 | PC 2518-6f-o | gray | 1 |
| ☐ Enclosure - high cover | 84 mm (3.31 in) | 110-911 | PS 2518-8f-o | gray | 1 | 120-911 | PC 2518-8f-o | gray | 1 |
| ☐ Enclosure - top hat cover | 137 mm (5.39 in) | 109-411 | PS 2518-14f-o | gray | 1 | 121-411 | PC 2518-14f-o | gray | 1 |
| ☐ Enclosure - low cover | 63 mm (2.48 in) | 111-011 | PS 2518-6f-to | trans. | 1 | 130-011 | PC 2518-6f-to | trans. | 1 |
| ☐ Enclosure - high cover | 84 mm (3.31 in) | 111-511 | PS 2518-8f-to | trans. | 1 | 130-511 | PC 2518-8f-to | trans. | 1 |
| ☐ Enclosure - top hat cover | 137 mm (5.39 in) | 112-011 | PS 2518-14f-to | trans. | 1 | 131-011 | PC 2518-14f-to | trans. | 1 |

Sidewalls with Metric Knockouts

Polystyrene

Polycarbonate

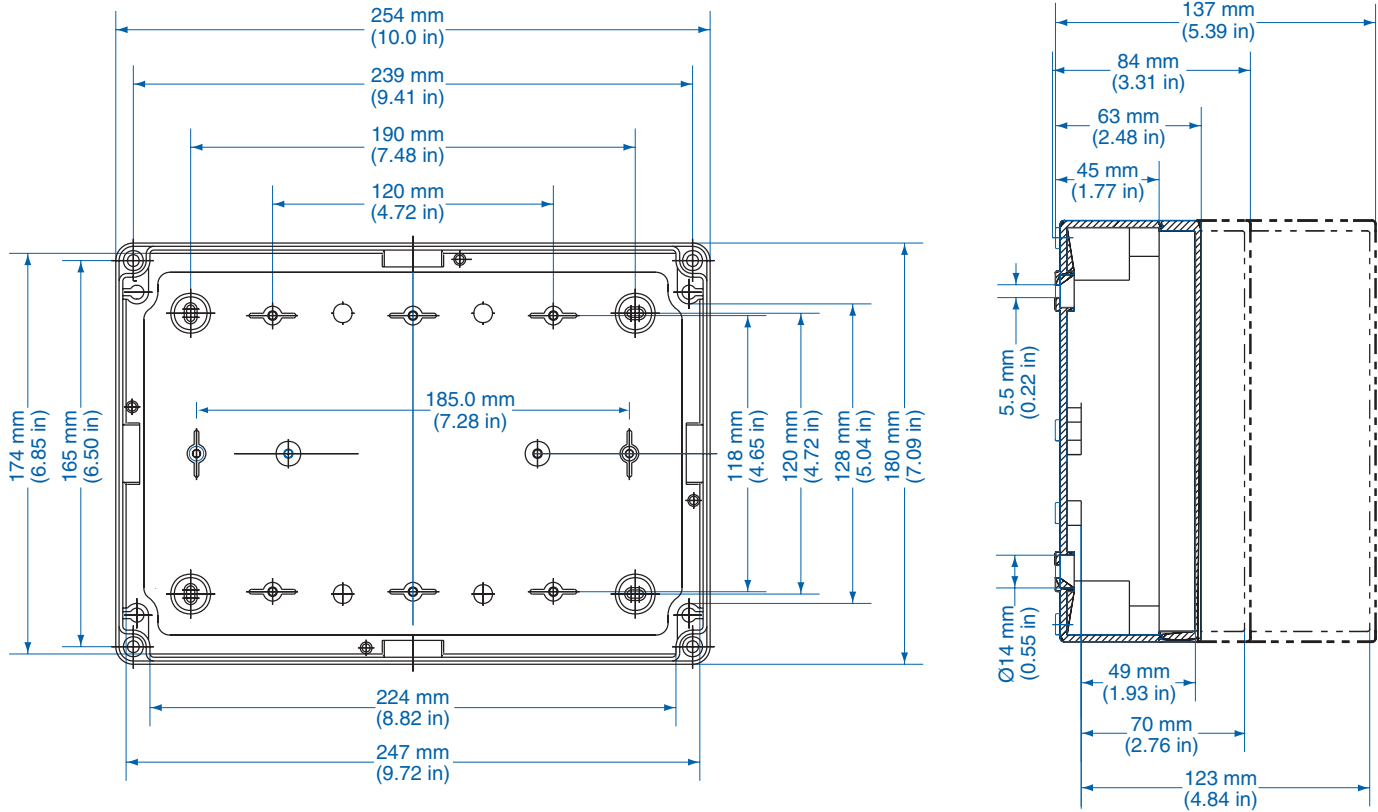
| Ordering Information | Height mm (in) | Cat. No. | Type | Cover Color | Std. Pk. | Cat. No. | Type | Cover Color | Std. Pk. |
|-----------------------------|------------------|----------|----------------|-------------|----------|----------|----------------|-------------|----------|
| ☐ Enclosure - low cover | 63 mm (2.48 in) | 105-411 | PS 2518-6f-m | gray | 1 | 127-411 | PC 2518-6f-m | gray | 1 |
| ☐ Enclosure - high cover | 84 mm (3.31 in) | 105-911 | PS 2518-8f-m | gray | 1 | 127-911 | PC 2518-8f-m | gray | 1 |
| ☐ Enclosure - top hat cover | 137 mm (5.39 in) | 104-411 | PS 2518-14f-m | gray | 1 | 128-411 | PC 2518-14f-m | gray | 1 |
| ☐ Enclosure - low cover | 63 mm (2.48 in) | 106-011 | PS 2518-6f-tm | trans. | 1 | 137-011 | PC 2518-6f-tm | trans. | 1 |
| ☐ Enclosure - high cover | 84 mm (3.31 in) | 106-511 | PS 2518-8f-tm | trans. | 1 | 137-511 | PC 2518-8f-tm | trans. | 1 |
| ☐ Enclosure - top hat cover | 137 mm (5.39 in) | 107-011 | PS 2518-14f-tm | trans. | 1 | 138-011 | PC 2518-14f-tm | trans. | 1 |

Accessories

| Ordering Information | Cat. No. | Type | Std. Pk. |
|--------------------------|----------|------------|----------|
| Mounting Plate (plastic) | 195-008 | TKMPI-2518 | 1 |
| Mounting Plate (steel) | 197-008 | TKMPS-2518 | 1 |
| DIN Rail TS35-216mm | 198-216 | TS 35/216 | 1 |
| Hinge Kit Set | 190-005 | HK2 | 1 |
| Mounting Tab Kit | 194-001 | MT1 | 1 |

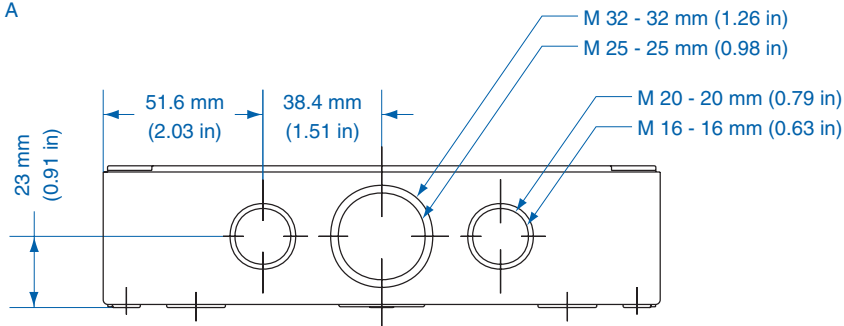
Please refer to pages 149-152 for additional accessories and detailed information.

Dimensions

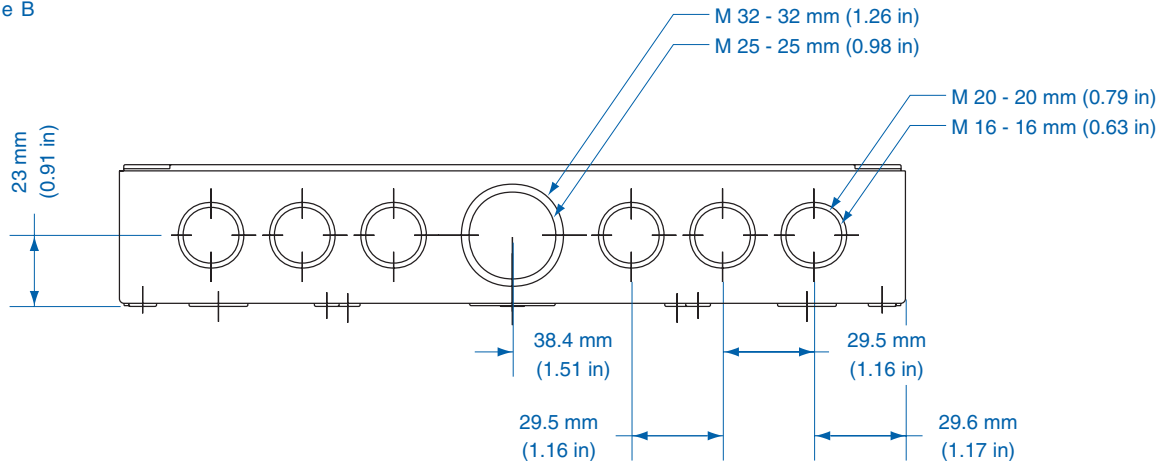


Knockout Positions

Side A



Side B



TK 2518 – Polystyrene and Polycarbonate – 254 x 180 mm (10.0 x 7.09 in.)

Standard Features

- **Protection Level:** IP66 (NEMA Type: 4X and 12/12K)
- **Technical:** Smooth or Knockout Sidewalls
Gray or Tinted Transparent Cover
Multiple Enclosure Mounting Options
- **UL Recognized**
 - Enclosure Materials:** Polystyrene or Polycarbonate
 - Gasket Material:** Polyurethane
 - Color:** Light Gray
 - Material**
 - Temperature Range:** Polystyrene
-40°C to 70°C (-40°F to 158°F)
Polycarbonate
-40°C to 120°C (-40°F to 248°F)
- **Accessories:** See section below



Smooth Sidewalls

Polystyrene

Polycarbonate

| Ordering Information | Height mm (in) | Cat. No. | Type | Cover Color | Std. Pk. | Cat. No. | Type | Cover Color | Std. Pk. |
|-----------------------------|------------------|----------|---------------|-------------|----------|----------|---------------|-------------|----------|
| ☐ Enclosure - low cover | 90 mm (3.54 in) | 110-408 | PS 2518-9-o | gray | 1 | 120-408 | PC 2518-9-o | gray | 1 |
| ☐ Enclosure - high cover | 111 mm (4.37 in) | 110-908 | PS 2518-11-o | gray | 1 | 120-908 | PC 2518-11-o | gray | 1 |
| ☐ Enclosure - top hat cover | 165 mm (6.50 in) | 109-408 | PS 2518-16-o | gray | 1 | 121-408 | PC 2518-16-o | gray | 1 |
| ☐ Enclosure - low cover | 90 mm (3.54 in) | 111-008 | PS 2518-9-to | trans. | 1 | 130-008 | PC 2518-9-to | trans. | 1 |
| ☐ Enclosure - high cover | 111 mm (4.37 in) | 111-508 | PS 2518-11-to | trans. | 1 | 130-508 | PC 2518-11-to | trans. | 1 |
| ☐ Enclosure - top hat cover | 165 mm (6.50 in) | 112-008 | PS 2518-16-to | trans. | 1 | 131-008 | PC 2518-16-to | trans. | 1 |

Sidewalls with Metric Knockouts

Polystyrene

Polycarbonate

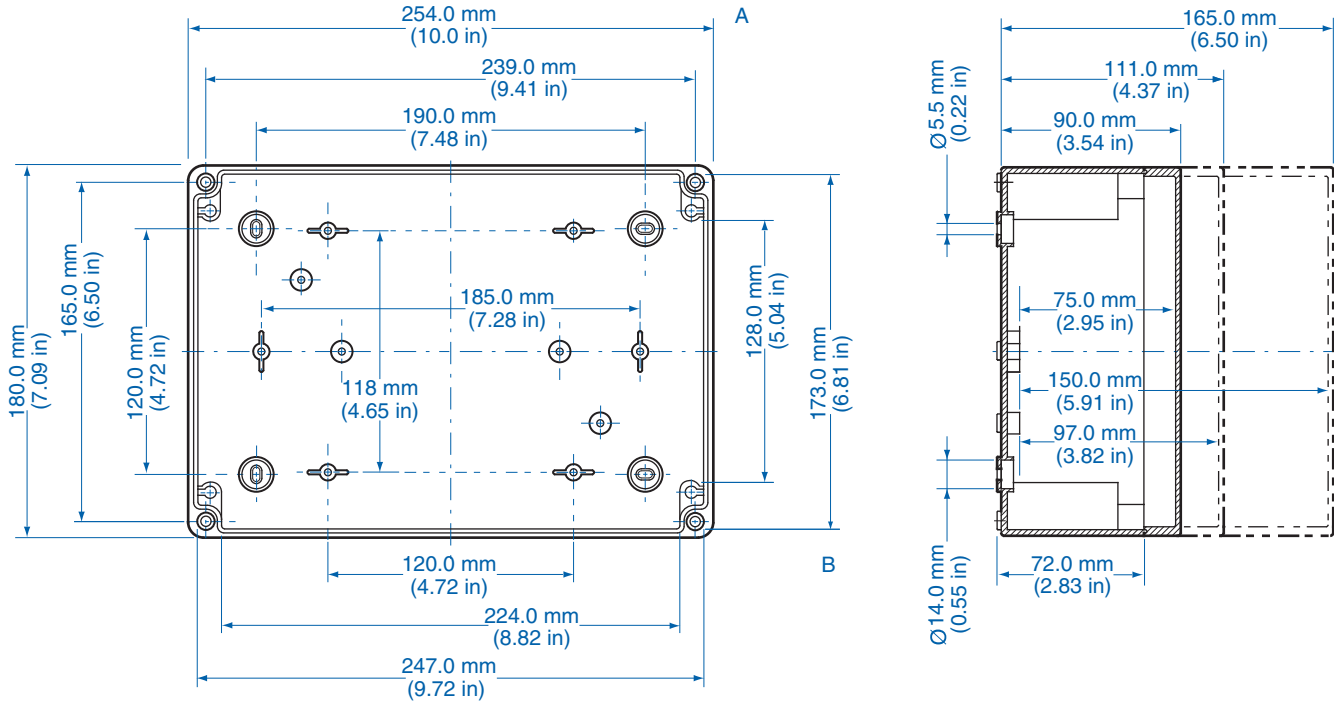
| Ordering Information | Height mm (in) | Cat. No. | Type | Cover Color | Std. Pk. | Cat. No. | Type | Cover Color | Std. Pk. |
|-----------------------------|------------------|----------|---------------|-------------|----------|----------|---------------|-------------|----------|
| ☐ Enclosure - low cover | 90 mm (3.54 in) | 105-408 | PS 2518-9-m | gray | 1 | 127-408 | PC 2518-9-m | gray | 1 |
| ☐ Enclosure - high cover | 111 mm (4.37 in) | 105-908 | PS 2518-11-m | gray | 1 | 127-908 | PC 2518-11-m | gray | 1 |
| ☐ Enclosure - top hat cover | 165 mm (6.50 in) | 104-408 | PS 2518-16-m | gray | 1 | 128-408 | PC 2518-16-m | gray | 1 |
| ☐ Enclosure - low cover | 90 mm (3.54 in) | 106-008 | PS 2518-9-tm | trans. | 1 | 137-008 | PC 2518-9-tm | trans. | 1 |
| ☐ Enclosure - high cover | 111 mm (4.37 in) | 106-508 | PS 2518-11-tm | trans. | 1 | 137-508 | PC 2518-11-tm | trans. | 1 |
| ☐ Enclosure - top hat cover | 165 mm (6.50 in) | 107-008 | PS 2518-16-tm | trans. | 1 | 138-008 | PC 2518-16-tm | trans. | 1 |

Accessories

| Ordering Information | Cat. No. | Type | Std. Pk. |
|--------------------------|----------|------------|----------|
| Mounting Plate (plastic) | 195-008 | TKMPI-2518 | 1 |
| Mounting Plate (steel) | 197-008 | TKMPS-2518 | 1 |
| DIN Rail TS35-216mm | 198-216 | TS 35/216 | 1 |
| Hinge Kit Set | 190-005 | HK2 | 1 |
| Mounting Tab Kit | 194-001 | MT1 | 1 |

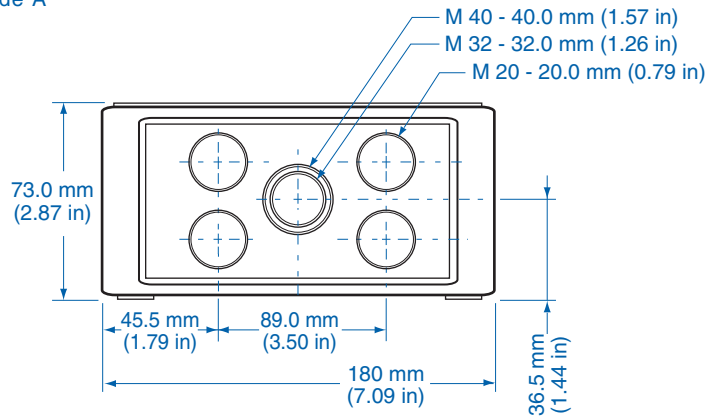
Please refer to pages 149-152 for additional accessories and detailed information.

Dimensions

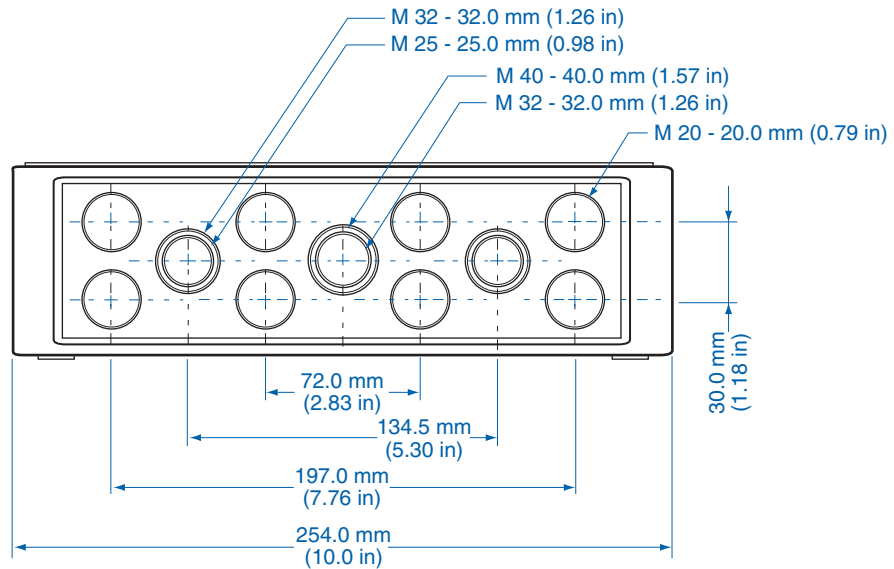


Knockout Positions

Side A



Side B



TK 3625 – Polystyrene and Polycarbonate – 360 x 254 mm (14.2 x 10.0 in.)

Standard Features

- **Protection Level:** IP66 (NEMA Type: 4X and 12/12K)
- **Technical:** Smooth or Knockout Sidewalls
Gray or Tinted Transparent Cover
Multiple Enclosure Mounting Options
- **UL Recognized**
Enclosure Materials: Polystyrene or Polycarbonate
- **Gasket Material:** Polyurethane
- **Color:** Light Gray
- **Material**
Temperature Range: Polystyrene
-40°C to 70°C (-40°F to 158°F)
Polycarbonate
-40°C to 120°C (-40°F to 248°F)
- **Accessories:** See section below



Smooth Sidewalls

Polystyrene

Polycarbonate

| Ordering Information | Height mm (in) | Cat. No. | Type | Cover Color | Std. Pk. | Cat. No. | Type | Cover Color | Std. Pk. |
|------------------------|------------------|----------|---------------|-------------|----------|----------|---------------|-------------|----------|
| Enclosure - low cover | 111 mm (4.37 in) | 110-412 | PS 3625-11-o | gray | 1 | 120-412 | PC 3625-11-o | gray | 1 |
| Enclosure - high cover | 165 mm (6.50 in) | 110-912 | PS 3625-16-o | gray | 1 | 120-912 | PC 3625-16-o | gray | 1 |
| Enclosure - low cover | 111 mm (4.37 in) | 111-012 | PS 3625-11-to | trans. | 1 | 130-012 | PC 3625-11-to | trans. | 1 |
| Enclosure - high cover | 165 mm (6.50 in) | 111-512 | PS 3625-16-to | trans. | 1 | 130-512 | PC 3625-16-to | trans. | 1 |

Sidewalls with Metric Knockouts

Polystyrene

Polycarbonate

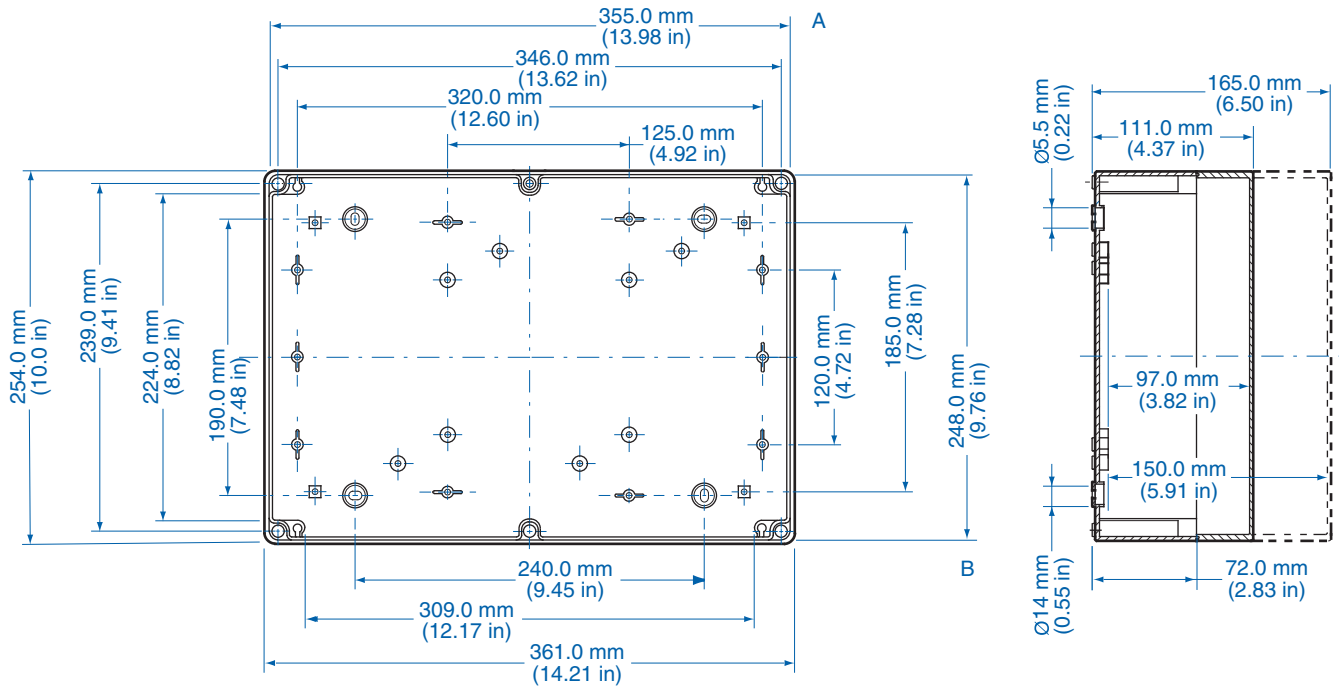
| Ordering Information | Height mm (in) | Cat. No. | Type | Cover Color | Std. Pk. | Cat. No. | Type | Cover Color | Std. Pk. |
|------------------------|------------------|----------|---------------|-------------|----------|----------|---------------|-------------|----------|
| Enclosure - low cover | 111 mm (4.37 in) | 105-412 | PS 3625-11-m | gray | 1 | 127-412 | PC 3625-11-m | gray | 1 |
| Enclosure - high cover | 165 mm (6.50 in) | 105-912 | PS 3625-16-m | gray | 1 | 127-912 | PC 3625-16-m | gray | 1 |
| Enclosure - low cover | 111 mm (4.37 in) | 106-012 | PS 3625-11-tm | trans. | 1 | 137-012 | PC 3625-11-tm | trans. | 1 |
| Enclosure - high cover | 165 mm (6.50 in) | 106-512 | PS 3625-16-tm | trans. | 1 | 137-512 | PC 3625-16-tm | trans. | 1 |

Accessories

| Ordering Information | Cat. No. | Type | Std. Pk. |
|--------------------------|----------|------------|----------|
| Mounting Plate (plastic) | 195-012 | TKMPI-3625 | 1 |
| Mounting Plate (steel) | 197-012 | TKMPS-3625 | 1 |
| DIN Rail TS35-336mm | 198-336 | TS 35/ 336 | 1 |
| Hinge Kit Set | 190-005 | HK2 | 1 |
| Mounting Tab Kit | 194-001 | MT1 | 1 |

Please refer to pages 149-152 for additional accessories and detailed information.

Dimensions



Knockout Positions

