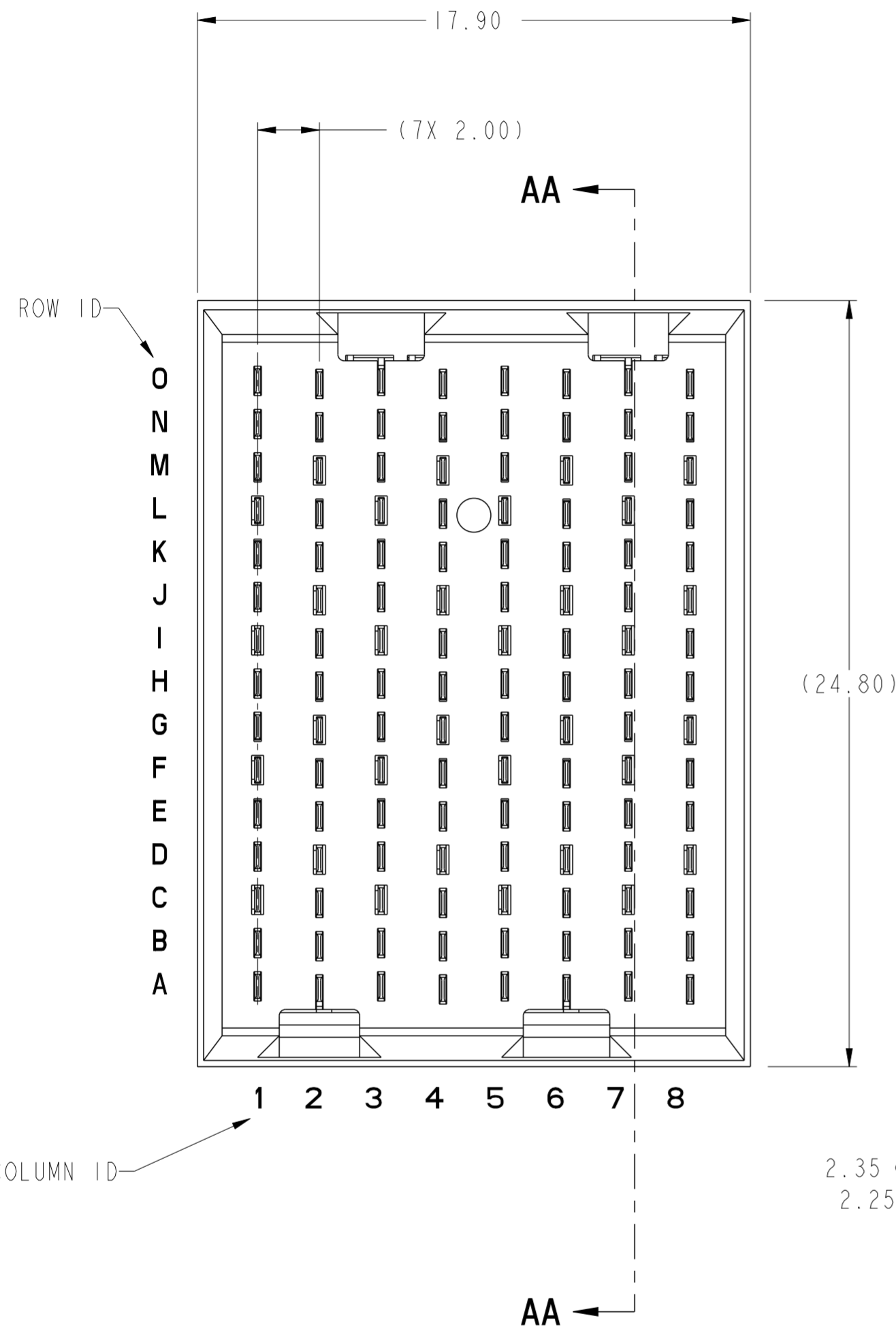
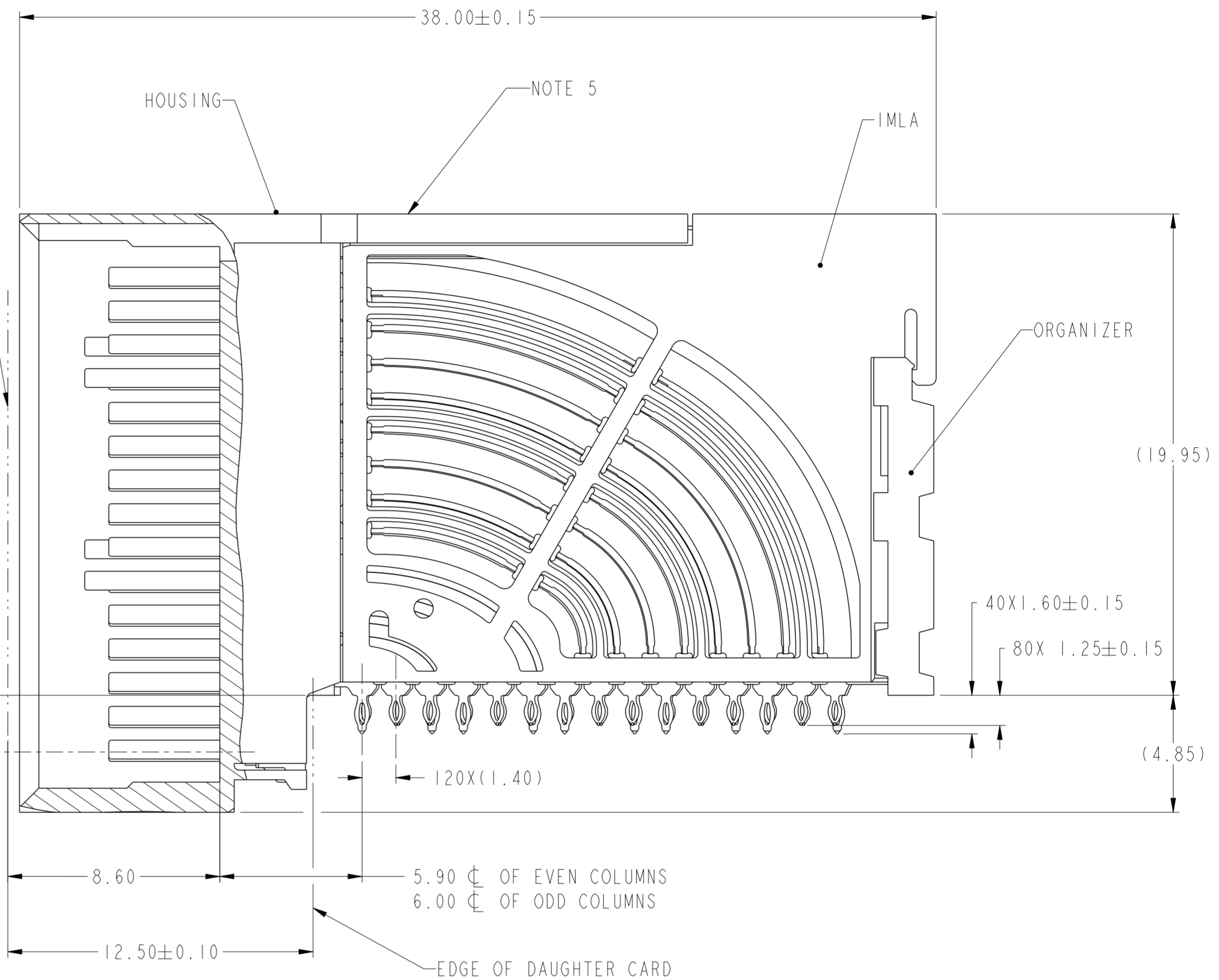


PRODUCT NUMBER  
SEE SHEET 3



2.35  $\phi$  OF EVEN COLUMNS  
2.25  $\phi$  OF ODD COLUMNS



SECTION AA-AA

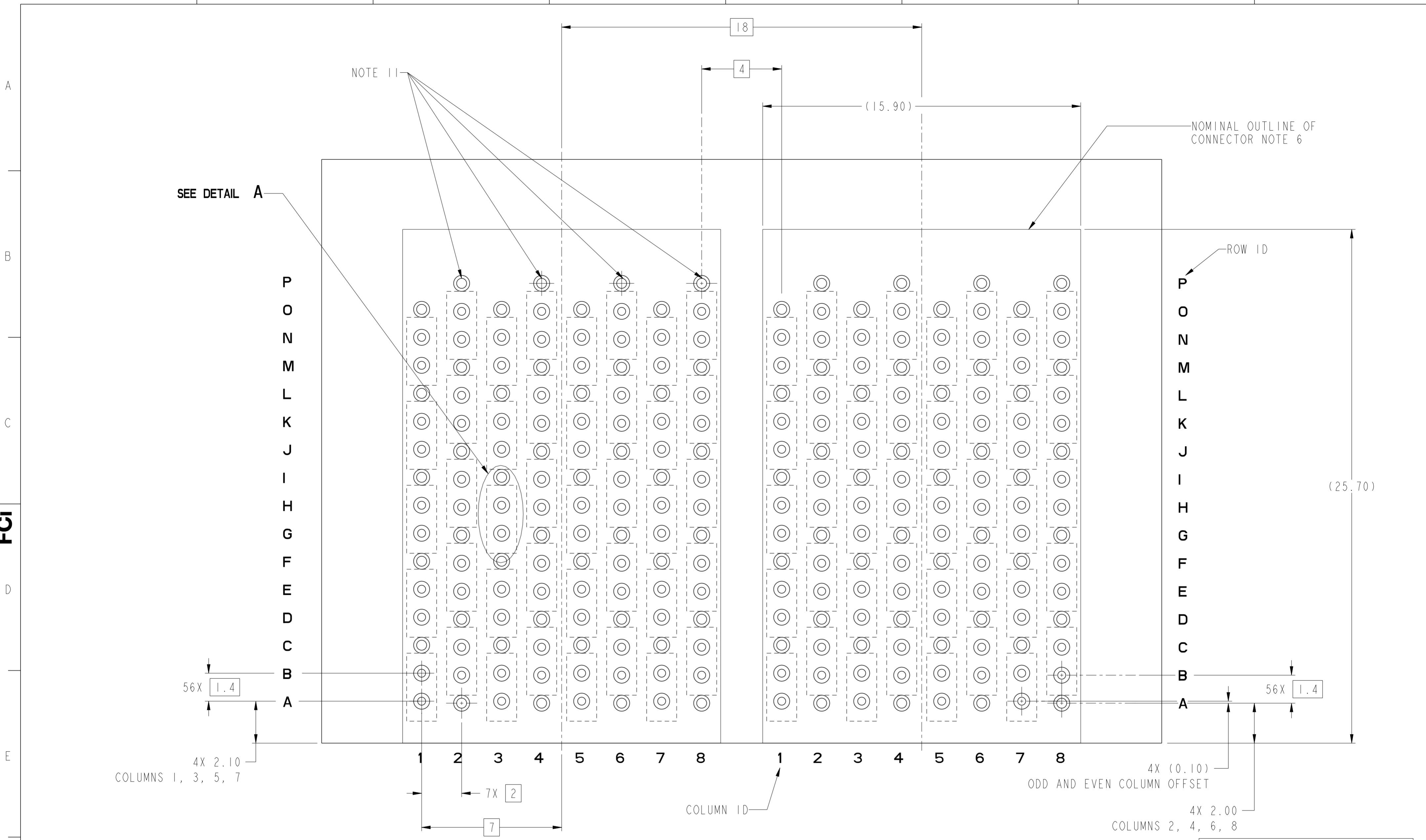
NOT TOOLED

PRELIMINARY

spec ref	---	dr	Tao Zhan	2015/10/13	projection	MM	size	A2	scale	10:1
tolerance std	ASME Y14.5M	eng	Tao Zhan	2016/03/15			ecn no	-	rel level	Preliminary
TOLERANCES UNLESS OTHERWISE SPECIFIED		chr	-	appr						
surface	-	linear	0.X	±.3			<b>AIRMAX VS2 RA HEADER</b> 5 PAIR 120 POS 2MM 8 COL SMALL PRESS FIT		dwg no	10136595
		angular	0°	±2°	cat. no.	-	Product - Customer Drw	sheet 1 of 3	rev	1

Amphenol  
FCI

© 2016 APCI



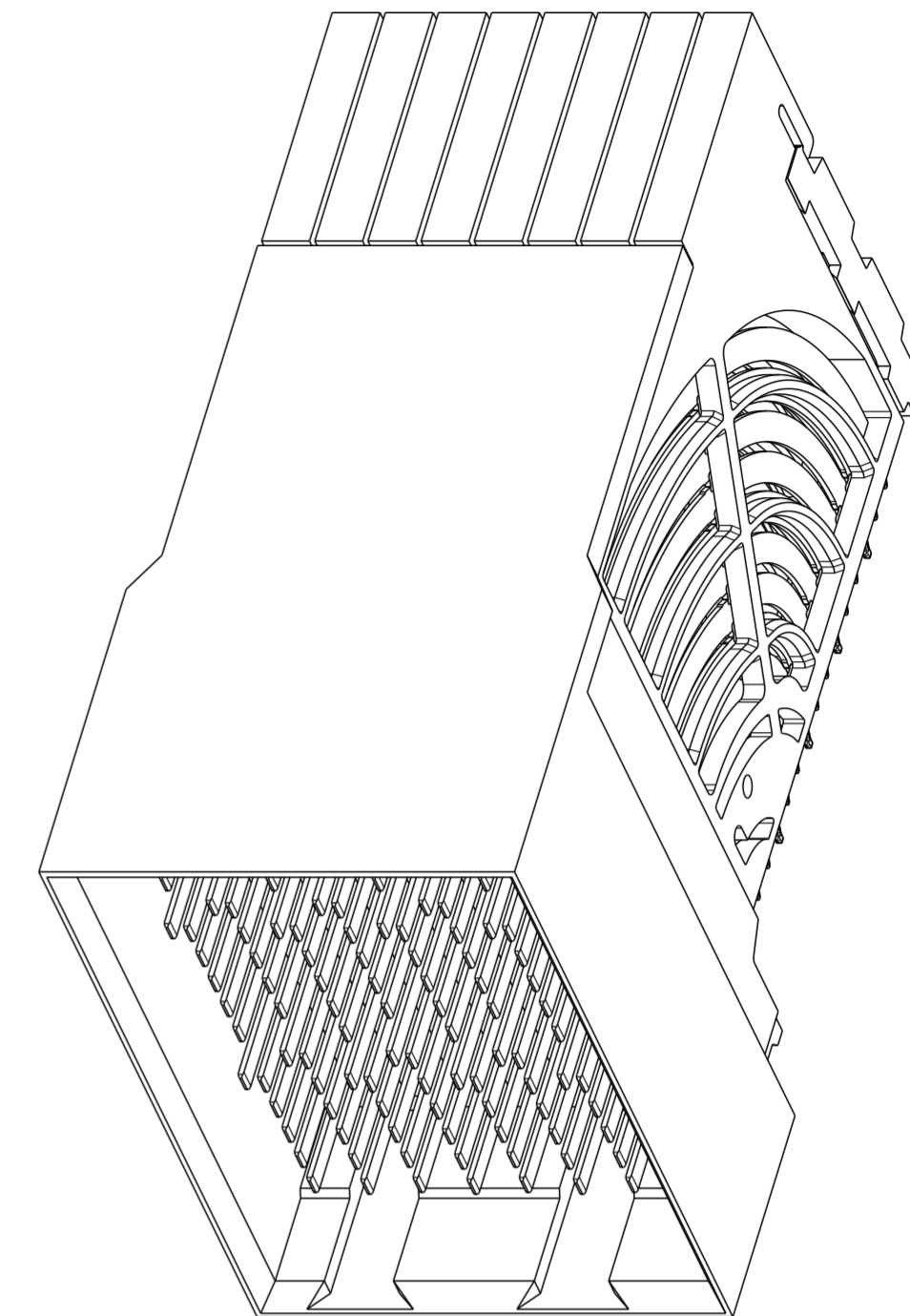
RECOMMENDED PCB LAYOUT  
FOR DIFFERENTIAL APPLICATIONS  
COMPONENT SIDE  
(TWO ADJACENT FOOTPRINTS SHOWN)  
NOTES 7 & 10  
SCALE 8:1

**PRELIMINARY**

spec ref	---	dr	Tao Zhan	2015/10/13	projection	MM	size	A2	scale	8:1
tolerance std	ASME Y14.5M	eng	Tao Zhan	2016/03/15			ecn no	-	rel level	Preliminary
TOLERANCES UNLESS OTHERWISE SPECIFIED		chr	-	product family			-			
surface	-	linear	0.X	±.3		<b>AIRMAX VS2 RA HEADER</b> 5 PAIR 120 POS 2MM 8 COL SMALL PRESS FIT	dwg no	10136595	rev	1
			0.XX	±.10			cat. no.	-	Product - Customer Drw	sheet 2 of 3
		angular	0°	±2°						

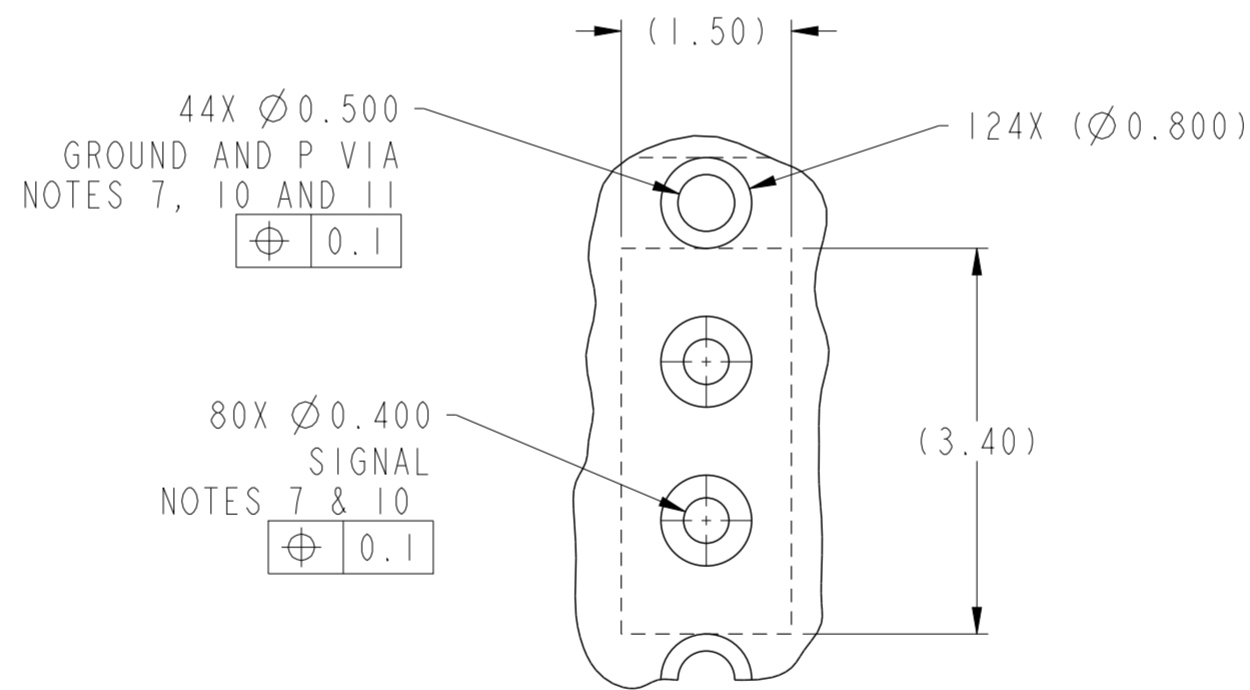
PRODUCT NUMBER	PRESS-FIT TAIL PLATING TYPE	REMARKS
10136595-101LF	TIN OVER NICKEL (LEAD FREE)	1-SIDE PLATING CUSTOMER SPECIAL
10136595-102LF	TIN OVER NICKEL (LEAD FREE)	2-SIDES PLATING

- 1 - CONNECTOR MATERIALS:  
HOUSING: HIGH TEMP THERMOPLASTIC, NATURAL, UL94-V0  
IMLA PLASTIC: HIGH TEMP THERMOPLASTIC, BLACK, UL94-V0  
CONTACT: COPPER ALLOY  
ORGANIZER: HIGH TEMP THERMOPLASTIC, NATURAL, UL94-V0
- 2 - CONTACT PLATING:  
SEPARABLE INTERFACE:  
PERFORMANCE-BASED PLATING, QUALIFIED TO MEET THE REQUIREMENTS OF FCI PRODUCT SPECIFICATION GS-12-0956 INCLUDING TELCORDIA GR-1217-CORE (NOVEMBER 1995) CENTRAL OFFICE TEST SEQUENCE
- PRESS-FIT TAILS: SEE TABLE
- 3 - PRODUCT SPECIFICATION: GS-12-0956
- 4 - APPLICATION SPECIFICATION: GS-20-0305
- 5 - PRODUCT MARKING, (PROTOTYPE, PART NUMBER & LOT CODE), ON THIS SURFACE.
- 6 - CONNECTOR OUTLINE MAY BE SCREEN PRINTED ONTO CUSTOMER PCB TO BE USED AS A GUIDE FOR CONNECTOR PLACEMENT.
- 7 - REFER TO CUSTOMER DRAWING 10104444 FOR INFORMATION ON PCB HOLE DIAMETERS AND PLATING OPTIONS
- 8 - LEAD FREE PRODUCT MEETS THE EUROPEAN UNION DIRECTIVES & OTHER COUNTRY REGULATIONS AS DESCRIBED IN GS-22-008
- 9 - PACKAGING MEETS GS-14-920 LEAD FREE LABELING SPECIFICATION.
- 10 - GROUND CONTACTS (C, F, I, L, & O IN ODD COLUMNS AND A, D, G, J, & M IN EVEN COLUMNS) REQUIRE ( $\varnothing 0.500$ ) FINISHED HOLES. SIGNAL LOCATIONS REQUIRE ( $\varnothing 0.400$ ) FINISHED HOLES
- 11 - THESE OUTER VIAS (P) ARE OPTIONAL. WHILE NO CONNECTOR EONS ARE PRESSED INTO THESE HOLES WE RECCOMEND ( $\varnothing 0.500$ ) FINISHED HOLES AT THESE LOCATIONS TO PROVIDE GROUND SYMMETRY THROUGH THE PCB.
- 12 - A  $\triangle$  SYMBOL WILL BE NEXT TO ANY DIMENSION, VIEW, OR NOTE, WHICH HAS BEEN MODIFIED WITH THE CURRENT DRAWING REVISION.



10136595-101LF

SCALE 4:1



DETAIL A  
SCALE 15:1

**PRELIMINARY**

spec ref	---	dr	Tao Zhan	2015/10/13	projection	MM	size	A2	scale	8:1
tolerance std	ASME Y14.5M	eng	Tao Zhan	2016/03/15	chr	-	ecn no	-	rel level	Preliminary
TOLERANCES UNLESS OTHERWISE SPECIFIED		appr	-	-	product family	-	rel level	-	rev	1
surface	-	linear	0.X	$\pm .3$	Amphenol FCI		title	AIRMAX VS2 RA HEADER		cat. no.
			0.XX	$\pm .10$			5 PAIR 120 POS 2MM 8 COL SMALL PRESS FIT	10136595	Product - Customer Drw	sheet 3 of 3
			0.XXX	$\pm .050$						
		angular	0°	$\pm 2^\circ$						