



Sensors > Position Sensors > LVDT/LVIT Sensors > HEAVY DUTY DC GAGE HEAD



Linearity Error (Full Range): $\pm 0.25\%$

Case Material: **Stainless Steel**

Product Diameter: **19.05 mm [.75 in]**

Product Shape: **Cylindrical**

Supply Voltage Range: **-15 - 15 V**

Features

Product Type Features

Product Shape	Cylindrical
---------------	-------------

Configuration Features

Electrical Connection	6-Pin Connector
-----------------------	-----------------

Electrical Characteristics

Supply Voltage Range	-15 - 15 V
----------------------	------------

Body Features

Case Material	Stainless Steel
Core Configuration	Spring Loaded

Dimensions

Product Diameter	19.05 mm [.75 in]
------------------	-------------------

Usage Conditions

Operating Temperature Range	0 - 70 °C [32 - 158 °F]
Environmental Specifications	1,000 PSI Pressure

Operation/Application

Output Signal Type	± 10 V
--------------------	------------

Industry Standards

IP Rating	IP68
-----------	------



Other

Linearity Error (Full Range)	±.25 %
------------------------------	--------

Product Compliance

[For compliance documentation, visit the product page on TE.com>](#)

EU RoHS Directive 2011/65/EU	Compliant
EU ELV Directive 2000/53/EC	Compliant
China RoHS 2 Directive MIIT Order No 32, 2016	No Restricted Materials Above Threshold
EU REACH Regulation (EC) No. 1907/2006	Current ECHA Candidate List: JAN 2024 (240) Candidate List Declared Against: JUN 2020 (209) Does not contain REACH SVHC
Halogen Content	Not Yet Reviewed for halogen content
Solder Process Capability	Not reviewed for solder process capability

Product Compliance Disclaimer

This information is provided based on reasonable inquiry of our suppliers and represents our current actual knowledge based on the information they provided. This information is subject to change. The part numbers that TE has identified as EU RoHS compliant have a maximum concentration of 0.1% by weight in homogenous materials for lead, hexavalent chromium, mercury, PBB, PBDE, DBP, BBP, DEHP, DIBP, and 0.01% for cadmium, or qualify for an exemption to these limits as defined in the Annexes of Directive 2011/65/EU (RoHS2). Finished electrical and electronic equipment products will be CE marked as required by Directive 2011/65/EU. Components may not be CE marked. Additionally, the part numbers that TE has identified as EU ELV compliant have a maximum concentration of 0.1% by weight in homogenous materials for lead, hexavalent chromium, and mercury, and 0.01% for cadmium, or qualify for an exemption to these limits as defined in the Annexes of Directive 2000/53/EC (ELV). Regarding the REACH Regulation, the information TE provides on SVHC in articles for this part number is based on the latest European Chemicals Agency (ECHA) 'Guidance on requirements for substances in articles' posted at this URL: <https://echa.europa.eu/guidance-documents/guidance-on-reach>

Compatible Parts

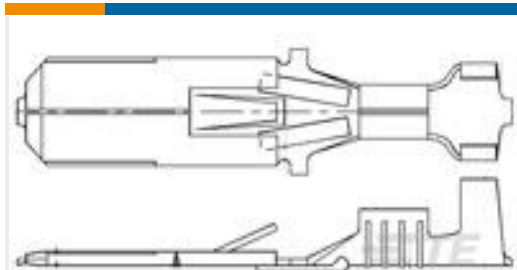


Also in the Series | **MEAS GCD**

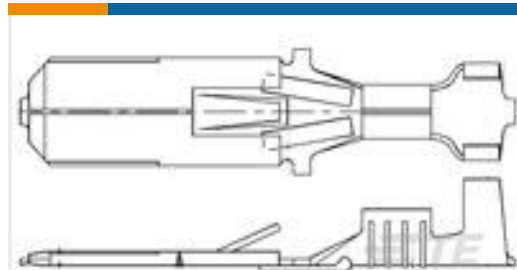


LVDT/LVIT Sensors(11)

Customers Also Bought



TE Part # 180409-2
FF 250 TAB 4-6MM2 PTBR LP



TE Part # 42241-2
FF 250 TAB 18-14 AWG .032 TPBR



TE Part # 42238-2
FF 250 REC 18-14AWG TPBR PRE CRIMPED



TE Part # 180384-2
FF 250 REC 4-6MM2 PTBR LP



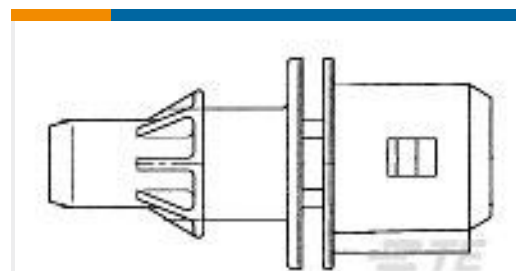
TE Part # 3-1437622-8
KN1751BS1/4=KNOB SPINNER L/HAI



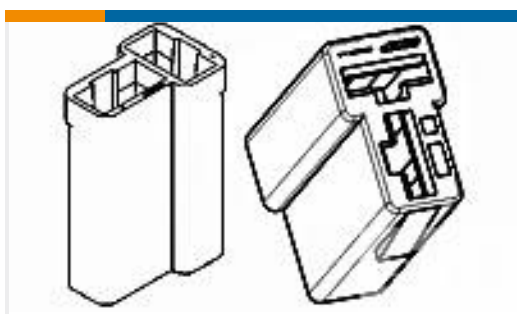
TE Part # 1SNG601196R0000
EP-SG-PG11-LGR-B



TE Part # NB11802001
ATUM-8/2-0-STK



TE Part # 106462-1
2P.FASTIN-ON HSG.



TE Part # 180907
FF 250 REC HSG 2P NYLON NAT

Documents

[Datasheets & Catalog Pages](#)

[DC Operated Gage Heads](#)

English