

4515DO-DS3BK020DPL ✓ ACTIVE

MEAS | MEAS MS4515DO

TE Internal #: 4515DO-DS3BK020DPL

Digital Pressure and Altimeter Sensor Modules, Differential, 20 inH₂O, 300 psi, 14 bit ADC, ±0.25% Span Pressure Accuracy, MEAS MS4515DO

[View on TE.com >](#)



Sensors > Pressure Sensors > Board Mount Pressure Sensors > PCB MOUNTED DIGITAL PRESSURE SENSOR



Pressure Sensor Type: **Digital Pressure and Altimeter Sensor Modules**

Pressure Type: **Differential**

Pressure: [**300 psi**]

Output Signal Type: **14 bit ADC**

Features

Product Type Features

Sensor Package	8 pin DIL
Pressure Sensor Type	Digital Pressure and Altimeter Sensor Modules
Pressure Type	Differential

Electrical Characteristics

Supply Voltage Range	3.3 V
----------------------	-------

Dimensions

Product Width	17.4 mm[.685 in]
Product Length	12.7 mm[.5 in]
Product Height	7.2 mm[.283 in]

Usage Conditions

Operating Temperature Range	-10 - 85 °C[14 - 185 °F]
-----------------------------	--------------------------

Operation/Application

	300 psi
Output Signal Type	14 bit ADC
Pressure Accuracy	±0.25% Span

Other

Sensor Options	Low Power
----------------	-----------

Product Compliance

[For compliance documentation, visit the product page on TE.com>](#)

EU RoHS Directive 2011/65/EU	Compliant with Exemptions
EU ELV Directive 2000/53/EC	Compliant with Exemptions
China RoHS 2 Directive MIIT Order No 32, 2016	Restricted Materials Above Threshold
EU REACH Regulation (EC) No. 1907/2006	Current ECHA Candidate List: JAN 2024 (240) Candidate List Declared Against: JAN 2024 (240) Does not contain REACH SVHC
Halogen Content	Not Yet Reviewed for halogen content
Solder Process Capability	Not reviewed for solder process capability

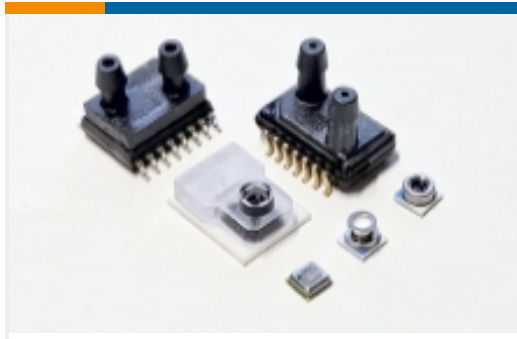
Product Compliance Disclaimer

This information is provided based on reasonable inquiry of our suppliers and represents our current actual knowledge based on the information they provided. This information is subject to change. The part numbers that TE has identified as EU RoHS compliant have a maximum concentration of 0.1% by weight in homogenous materials for lead, hexavalent chromium, mercury, PBB, PBDE, DBP, BBP, DEHP, DIBP, and 0.01% for cadmium, or qualify for an exemption to these limits as defined in the Annexes of Directive 2011/65/EU (RoHS2). Finished electrical and electronic equipment products will be CE marked as required by Directive 2011/65/EU. Components may not be CE marked. Additionally, the part numbers that TE has identified as EU ELV compliant have a maximum concentration of 0.1% by weight in homogenous materials for lead, hexavalent chromium, and mercury, and 0.01% for cadmium, or qualify for an exemption to these limits as defined in the Annexes of Directive 2000/53/EC (ELV). Regarding the REACH Regulation, the information TE provides on SVHC in articles for this part number is based on the latest European Chemicals Agency (ECHA) 'Guidance on requirements for substances in articles' posted at this URL: <https://echa.europa.eu/guidance-documents/guidance-on-reach>

Compatible Parts

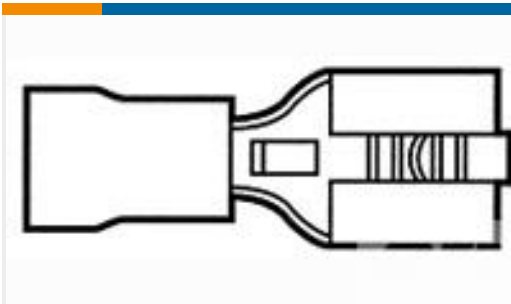
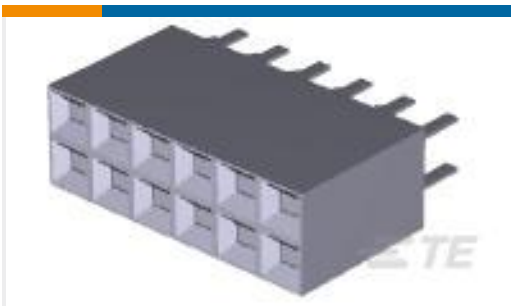
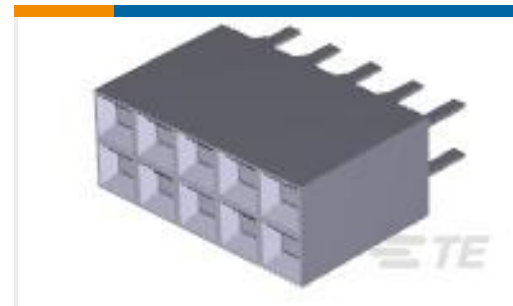
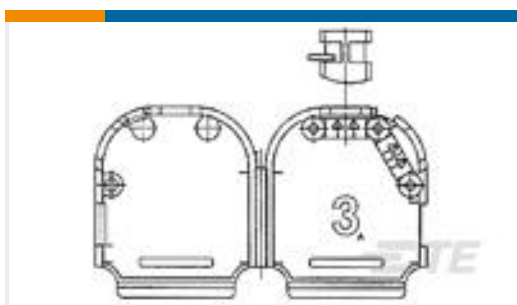


Also in the Series | [MEAS MS4515DO](#)



Board Mount Pressure Sensors(35)

Customers Also Bought

TE Part # 640931-1
RECEPT,PIDG FASTON 16-14 110TE Part # 640905-1
RECEPT,PIDG FASTON 16-14 250TE Part # 52935
TERMINAL,PIDG SPR SPD 16-14 6TE Part # 102154-4
020 UNIV HDR SP 4S 30DP STDTE Part # 5558065-1
MJ ASSY,10POS,R/A,LPFTE Part # 5-534206-6
12 MODII VRT DR CE 100/115TE Part # 5211450-1
5 CIRC DIN RCPT GRND CLIPTE Part # 534206-5
10 MODII VRT DR CE 100/115TE Part # 5750100-1
KIT,SZ 1 CABLE CLAMP

Documents

CAD Files

[3D PDF](#)

[3D](#)

Customer View Model

[ENG_CVM_CVM_4515DO-DS3BK020DPL_D.2d_dxf.zip](#)

English

Customer View Model

[ENG_CVM_CVM_4515DO-DS3BK020DPL_D.3d_igs.zip](#)



English

Customer View Model

[ENG_CVM_CVM_4515DO-DS3BK020DPL_D.3d_stp.zip](#)

English

By downloading the CAD file I accept and agree to the [Terms and Conditions](#) of use.

Datasheets & Catalog Pages

[Data sheet](#)

English