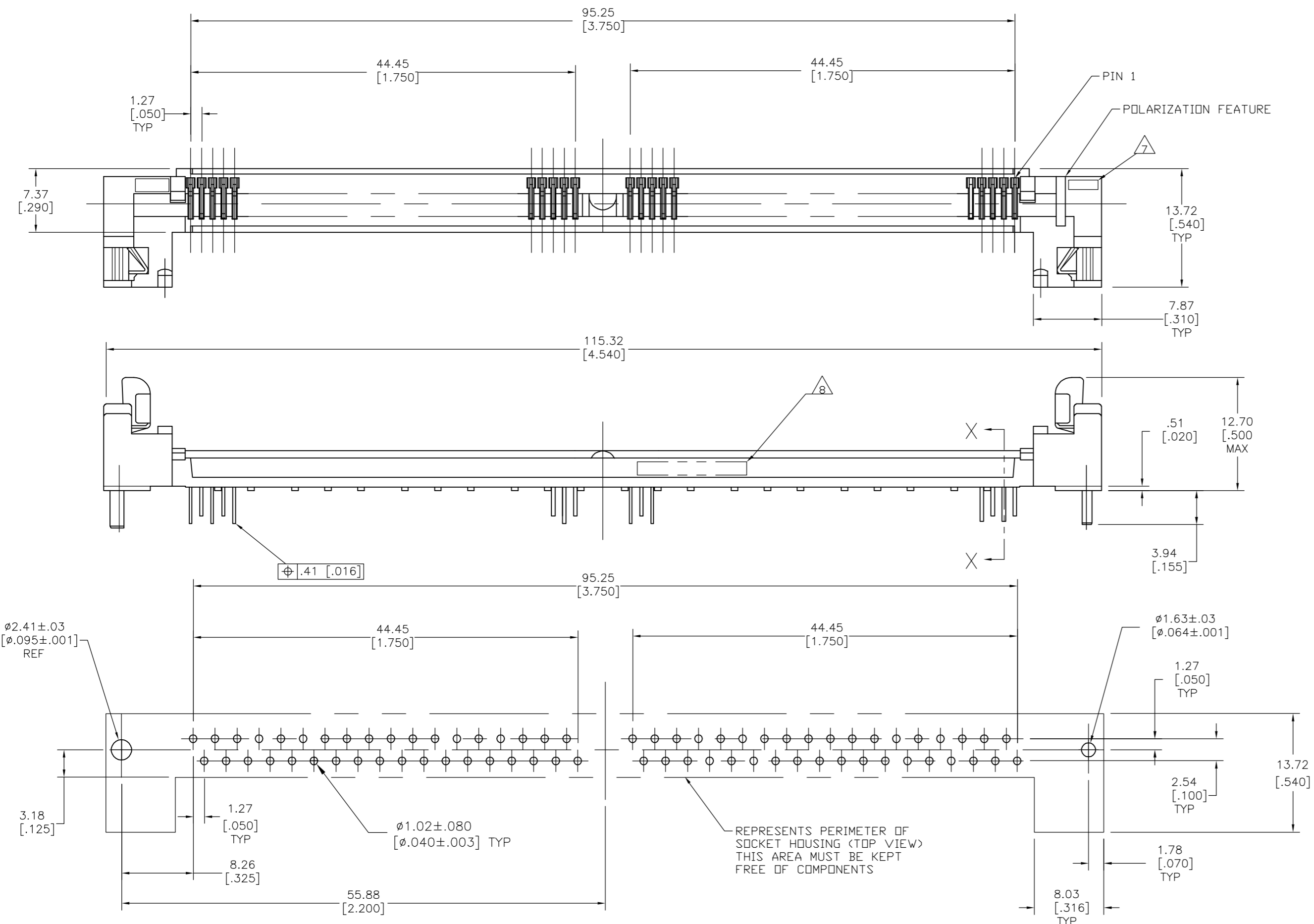
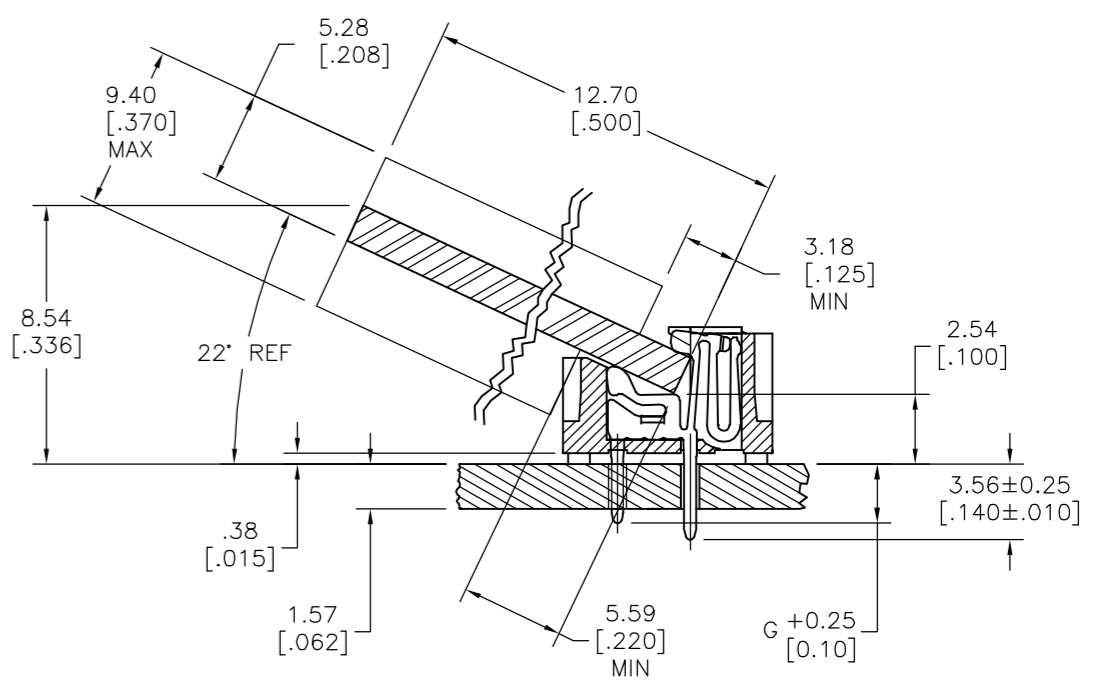
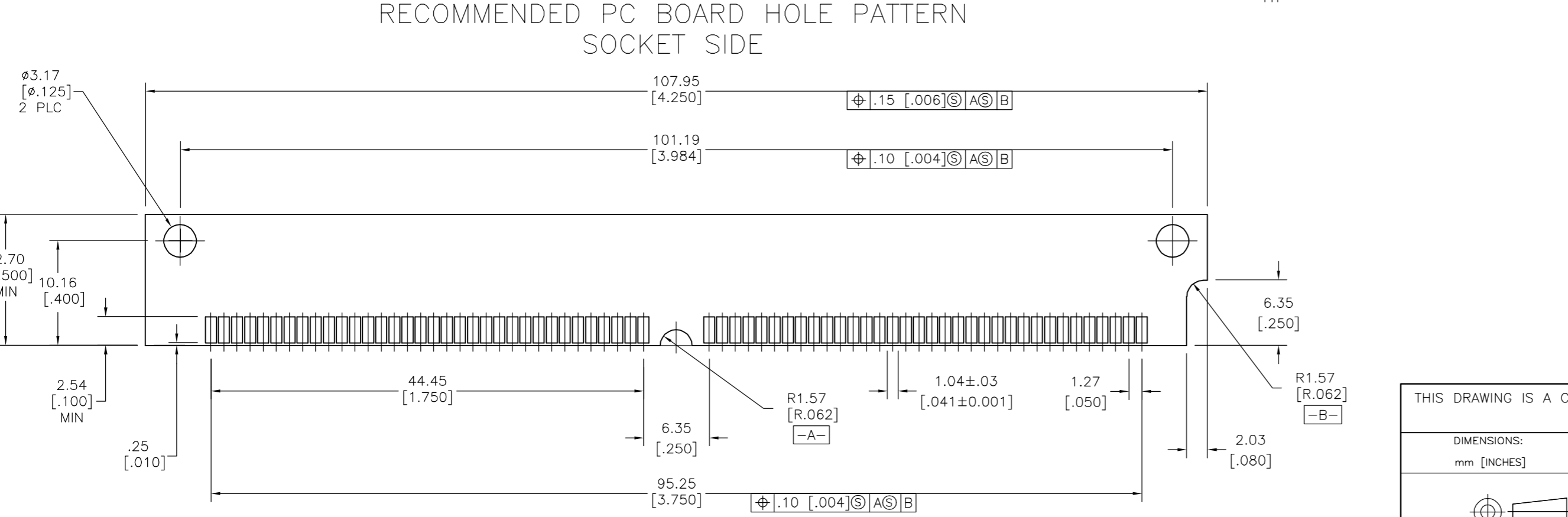


THIS DRAWING IS UNPUBLISHED. RELEASED FOR PUBLICATION
 © COPYRIGHT BY TYCO ELECTRONICS CORPORATION. ALL RIGHTS RESERVED.

LOC		DIST		REVISIONS			
P	LTR	DESCRIPTION	DATE	DWN	APVD		
B		REVISED PER ECO-06-007841	19JUL06	JDP	MB		



- △ HOUSING MATERIAL: LIQUID CRYSTAL POLYMER.
- △ CONTACT MATERIAL: PHOS. BRONZE.
- △ LATCH MATERIAL: STAINLESS STEEL.
- △ CONTACT PLATE: .00508 [.000200] MIN MATTE TIN OVER .00127 [.000050] MIN NICKEL.
- 5. IN ADDITION TO THOSE RECOMMENDED "SIMM" PC BOARD DIMENSIONS AND TOLERANCES SHOWN, ALL JEDEC SPECIFICATIONS APPLY AS SHOWN ON MO-116, ISSUE A.
- 6. RECOMMENDED MATING SIMM TAB METALLURGY: .00762 [.000300] MIN TIN/LEAD OVER .00127 [.000050] MIN NICKEL.
- △ "S" IDENTIFICATION SHALL BE LOCATED IN APPROX LOCATION SHOWN.
- △ DATE CODE INFORMATION (YEAR WEEK), LOCATED APPROXIMATELY AS SHOWN ON OPPOSITE SIDE.



SECTION X-X
 SCALE 5:1
 (BOARD SHOWN FOR REF ONLY)

3.56 [.140]	72	5822330-4
2.92 [.115]	72	5822330-3
G ± 0.25 [.010]	NO. OF POSNS	PART NUMBER

THIS DRAWING IS A CONTROLLED DOCUMENT.		DWN B.MCMMASTER 06JAN05	Tyco Electronics Corporation Harrisburg, PA 17105-3608	NAME				
DIMENSIONS: mm [INCHES]		CHK M.YEOMANS 06JAN05		PRODUCT SPEC				
TOLERANCES UNLESS OTHERWISE SPECIFIED:		APVD M.YEOMANS 06JAN05		APPLICATION SPEC				
0 PLC ± - 1 PLC ± - 2 PLC ± - 3 PLC ± .13 [.005] 4 PLC ± - ANGLES ± - FINISH		WEIGHT -		SIZE A2	CAGE CODE 00779	DRAWING NO C=5822330	RESTRICTED TO -	
				CUSTOMER DRAWING		SCALE 4:1	SHEET 1 of 1	REV B