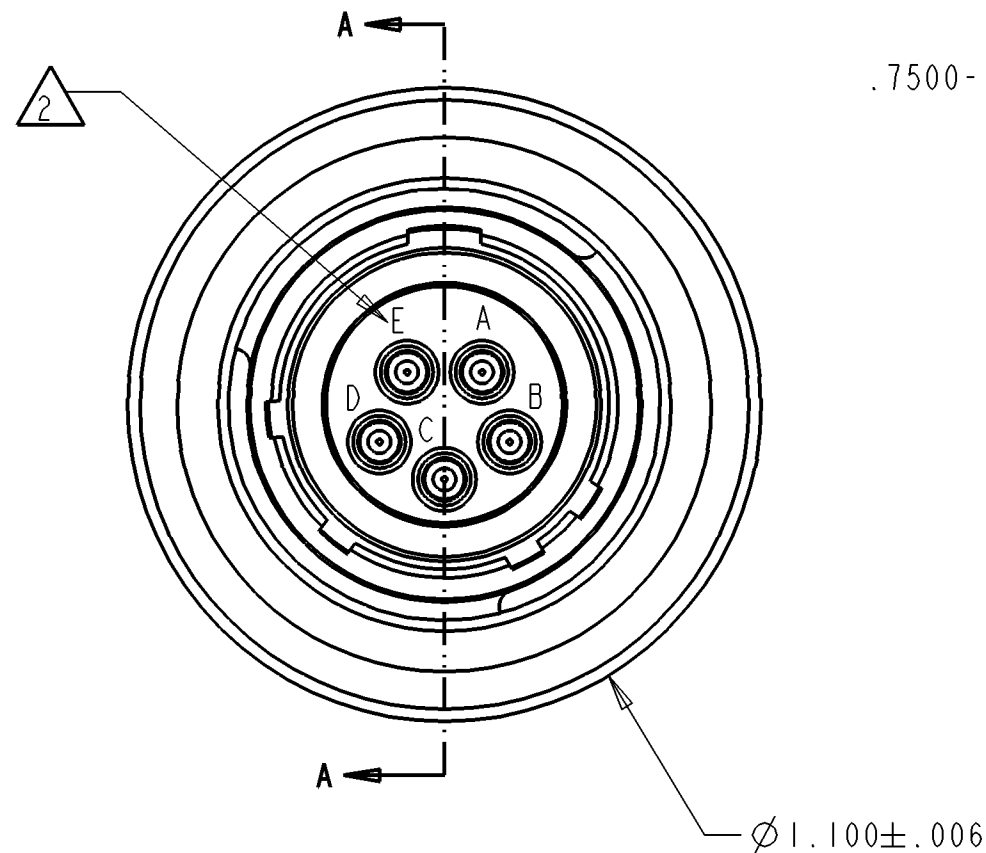
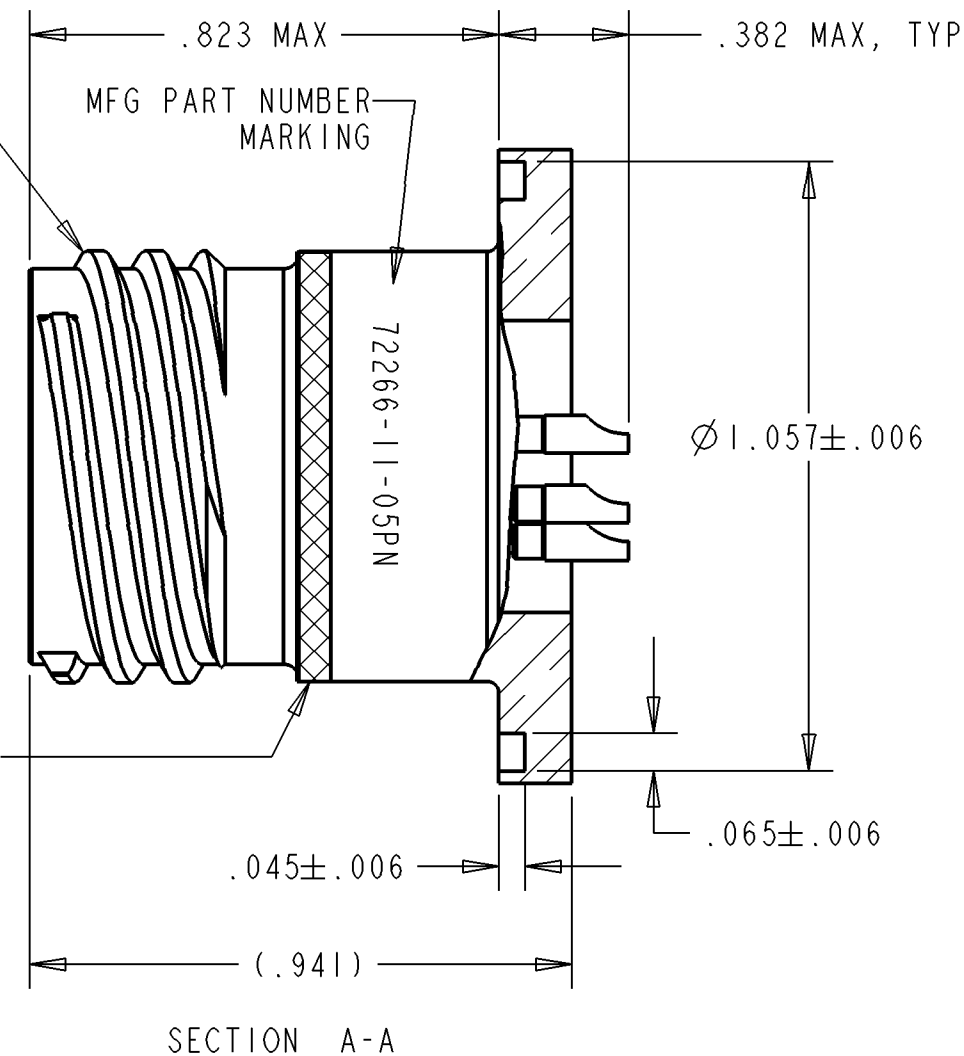


REV	DESCRIPTIONS	DATE	APPROVED
N/C	NEW RELEASE PER E.O.H3995	1-21-04	S.L.



STUB 60° MOD
3 START THREAD
.7500-.1P-.3L CLASS 2A



1. DIMENSIONS ARE IN INCHES UNLESS OTHERWISE NOTED.

2. INSERT ARRANGEMENT PER MIL-STD-1560.

3. CONNECTOR MEETS REQUIRMENTS OF MIL-DTL-38999 SERIES III EXCEPT SHELL MATERIAL IS TITANIUM ALLOY.

4. MATERIAL:
SHELL - TITANIUM ALLOY
INSULATOR - COMPRESSION GLASS INSERT
CONTACT - KOVAR
SEAL RING, PIN FRONT - ELASTOMER

5. FINISH:
SHELL - UNPLATED
CONTACT - GOLD OVER NICKEL


FILE:72266-11-05PX-ENV

	SIGNATURE & DATE
DR	M.ALLEN 1-20-04
CHK	S.LUI 1-21-04
PE	J.AGUILERA 1-21-04
APPD	J.AGUILERA 1-21-04
SCALE:	

CONNECTOR, RECEPTACLE

WELD MOUNTING
THREAD COUPLING
MIL-DTL-38999 SERIES III TYPE
WITH TITANIUM ALLOY SHELL
HERMETIC

ENVELOPE

CP	MATL CODE 72
DEUTSCH ENGINEERED INTERCONNECT SOLUTIONS  250 Eddie Jones Way Oceanside, CA 92054	
B	72266-11-05PX
DWG SIZE	CAGE CODE 11139
	SHEET 1 OF 1

NOTE(S):