

Part No. 1002649 / 1002649N

GPS/GLONASS/Beidou/Galileo Patch Dual Feed Antenna

1.575 GHz, 1.598 GHz, 1.606 GHz

Supports: Tracking, Smart Home, Agriculture, Automotive, Healthcare, Digital Signage, Wearables, Industrial Devices



GPS / GLONASS / Beidou / Galileo Dual Feed Patch Antenna

1.575 GHz, 1.598 GHz, 1.606 GHz

KEY BENEFITS

Reduced Costs and Time-to-Market

Standard antenna eliminates design fees and cycle time associated with a custom solution; getting products to market faster.

Quicker Time-to-Market

By optimizing antenna size, performance and emissions, customer and regulatory specifications are more easily met.

Reliability

Products are the latest RoHS version compliant.

APPLICATIONS

- Embedded design
- POS, Headsets, Tablets
- Gateway, Access Point
- Handheld
- Telematics
- Tracking
- Healthcare
- M2M, Industrial devices
- Smart Grid
- OBD-II

KYOCERA AVX antennas deliver on the key needs of device designers for higher functionality and performance in smaller/thinner designs. These innovative antennas provide compelling advantages for a GNSS enabled handheld devices, media players and other mobile devices.

Electrical Specifications

Typical characteristics, measured on a 70 x 70 mm PCB ground plane.

Frequency (GHz)	1.559 – 1.563	1.575	1.559 – 1.591	1.593 – 1.610
GNSS Bands	Beidou	GPS	Galileo	Glonass
Peak Gain (dBi)	5	5.5	5.5	5.5
Center Frequency f_0 (GHz)	1.561	1.575	1.575	1.603
Average Return Loss	< -15			
Axial Ratio	1 dB			
Feed Point Impedance	50 Ω unbalanced			

Mechanical Specifications & Ordering Part Number

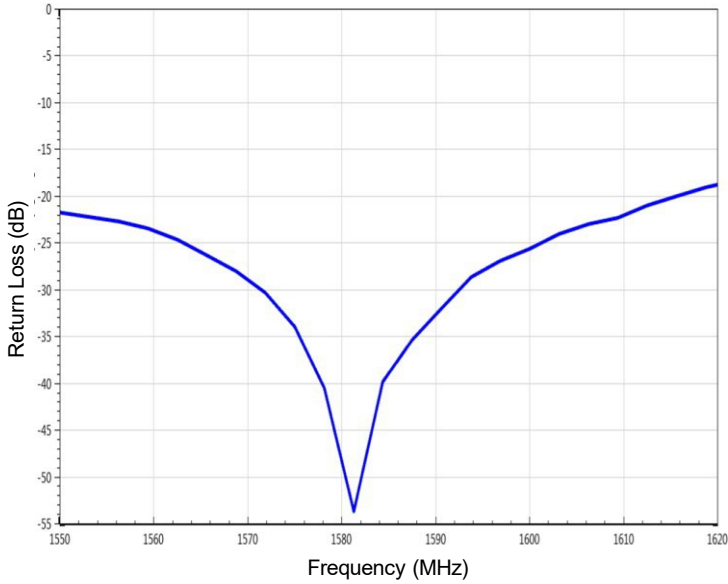
Ordering Part Number	1002649	1002649N
Size (mm)	25.0 x 25.0 x 6.7	
Mounting (mm)	Adhesive (Nitto 5000NS 22 x 22 x 0.16) & 2 through-hole Soldered Pins	Non-Adhesive 2 through-hole Soldered Pins
Weight (grams)	14.3	
Packaging	Plastic Tray	

GPS / GLONASS / Beidou / Galileo Dual Feed Patch KYOCERA AVX Embedded Antenna Specifications
 KYOCERA AVX produces a wide variety of standard and custom antennas to meet user needs.

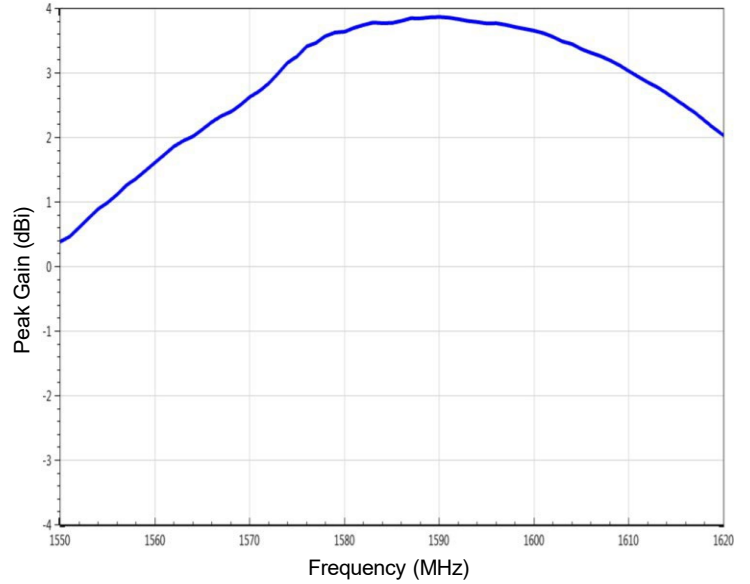
VSWR and Peak Gain Plots

Typical performance on 70 x 70 mm PCB

Return Loss



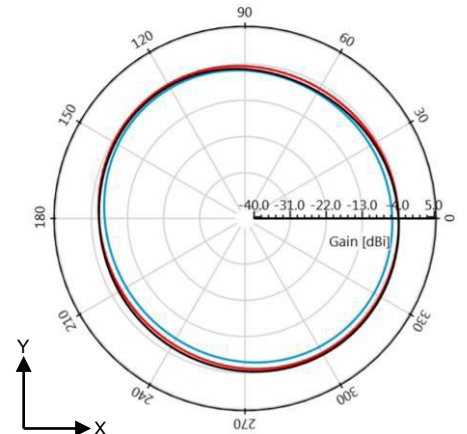
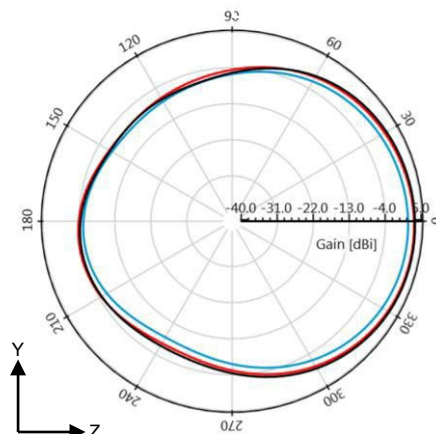
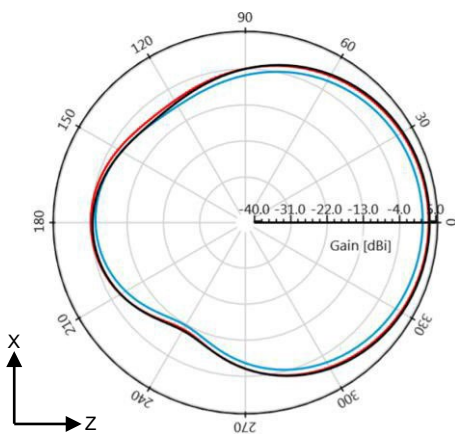
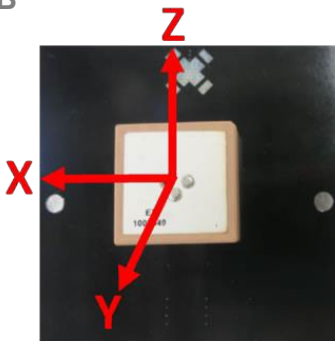
Peak Gain



Antenna Radiation Patterns

Typical performance on 70 x 70 mm PCB
 Measured @ 1561, 1575, 1603 MHz

- 1561 MHz
- 1575 MHz
- 1603 MHz



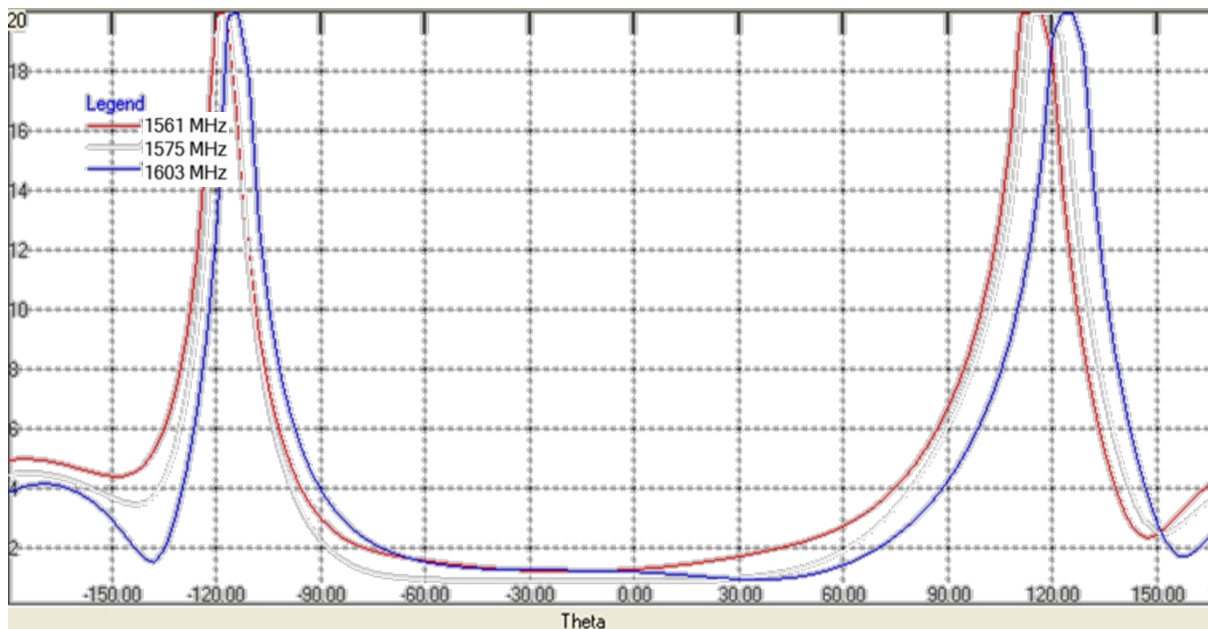
GPS / GLONASS / Beidou / Galileo Dual Feed Patch KYOCERA AVX Embedded Antenna Specifications
 KYOCERA AVX produces a wide variety of standard and custom antennas to meet user needs.

Axial Ratio Plots

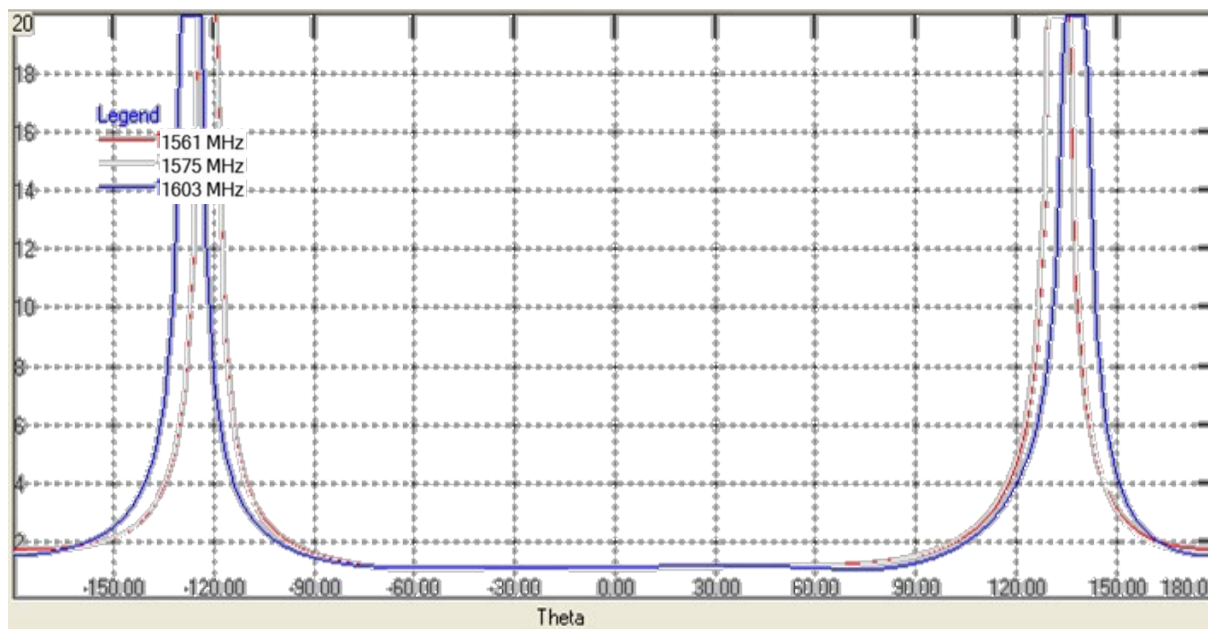
Typical performance on 70 x 70 mm PCB

Measured @ 1561, 1575, 1603 MHz

Phi = 0



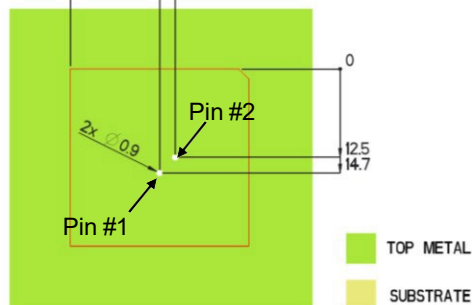
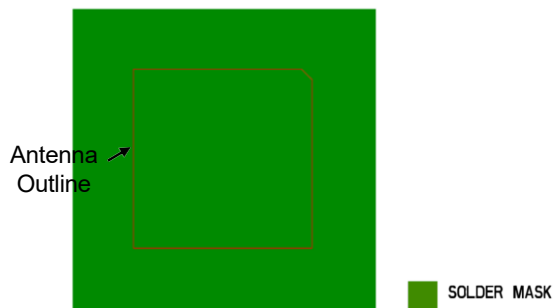
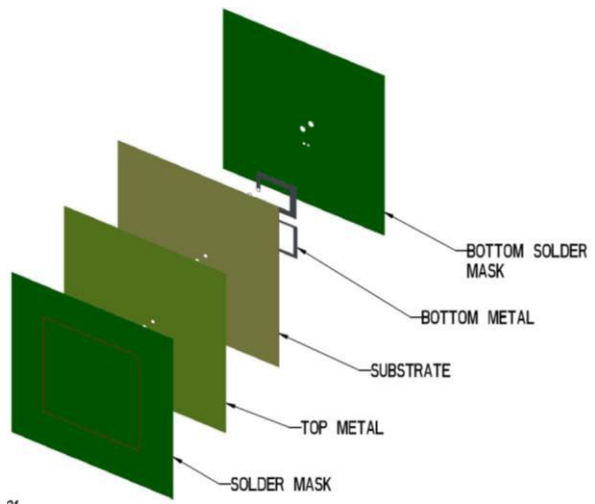
Phi = 90



GPS / GLONASS / Beidou / Galileo Dual Feed Patch KYOCERA AVX Embedded Antenna Specifications
 KYOCERA AVX produces a wide variety of standard and custom antennas to meet user needs.

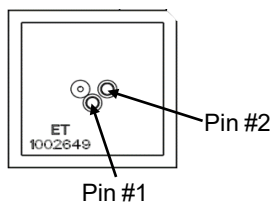
Antenna Layout

Typical layout dimensions (mm)



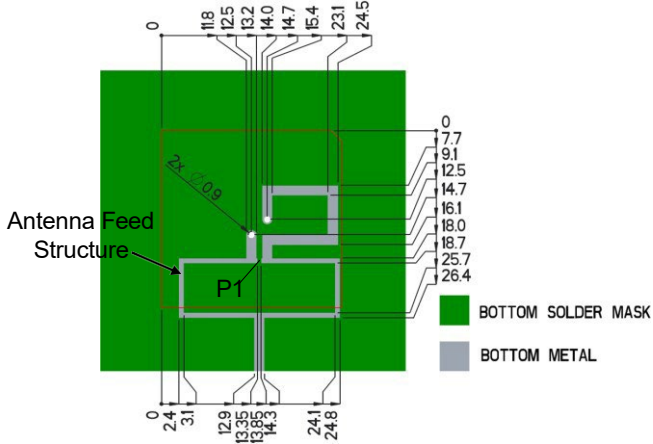
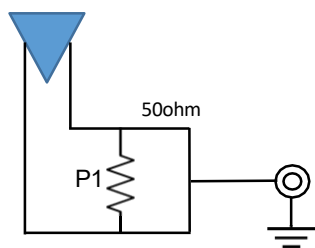
Pin Descriptions

Pin#	Description
1	Feed
2	Feed

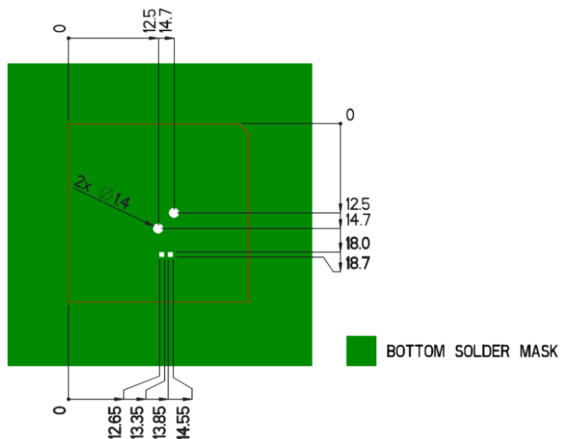
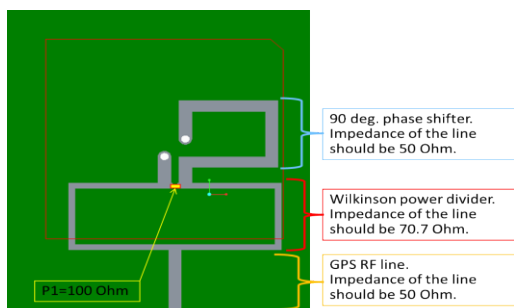


Matching Pi Network

Component	Value	Tolerance
P1	100Ω	±5%



Impedance Definition

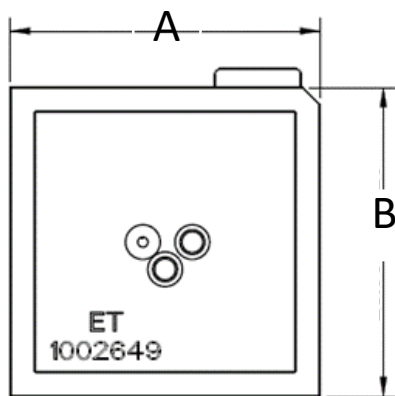


GPS / GLONASS / Beidou / Galileo Dual Feed Patch KYOCERA AVX Embedded Antenna Specifications
 KYOCERA AVX produces a wide variety of standard and custom antennas to meet user needs.

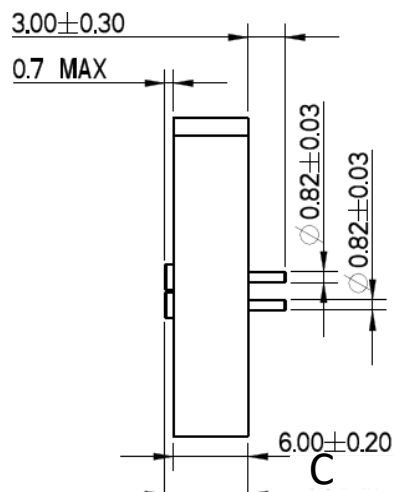
Mechanical Dimensions

Typical antenna dimensions, in mm.

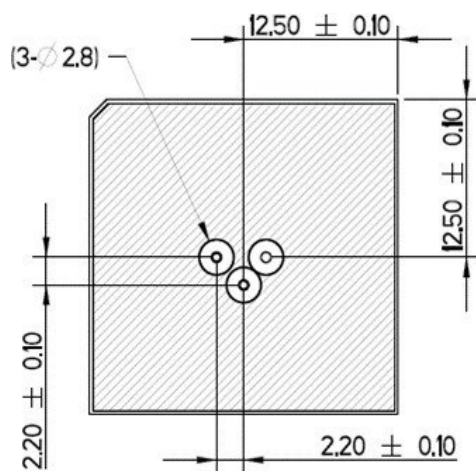
Part Number	A (mm)	B (mm)	C (mm)
1002649	25.0 ± 0.2	25.0 ± 0.2	6.7 (+0.2/-0.4)
1002649N	25.0 ± 0.2	25.0 ± 0.2	6.7 (+0.2/-0.4)



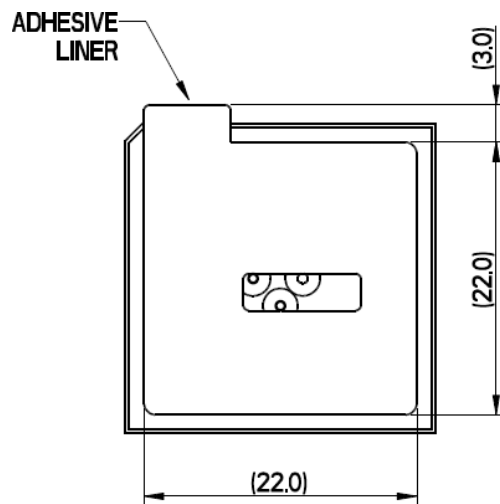
Top View



Side View



Bottom View



Adhesive Liner View (Bottom)