

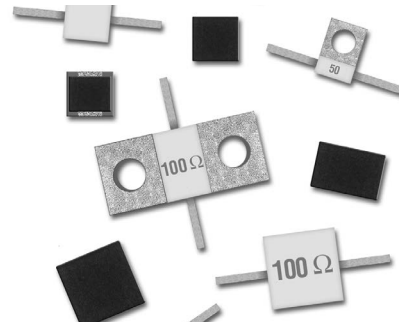
High Power Resistive Products

Resistors

KYOCERA AVX introduces its line of High Power Resistive Products. All products are designed and manufactured at our ISO 9001 Facilities.

ELECTRICAL SPECIFICATIONS

- Resistance: 50 and 100 Ω standard (10 Ω - 200 Ω available)
- Resistance Tolerance: $\pm 5\%$ standard ($\pm 2\%$ available)
- Power: 4 Watts through 250 Watts
- Operating Temperature Range: -55°C - $+150^{\circ}\text{C}$
- Temperature Coefficient: < 150 ppm/ $^{\circ}\text{C}$
- Low Capacitance

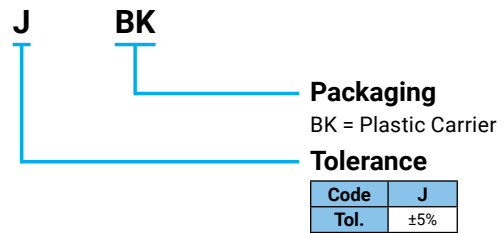
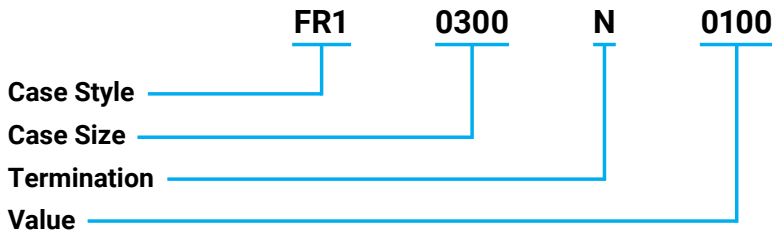


MECHANICAL SPECIFICATIONS

- Package: Surface Mount Chips, Chips, Leaded Chips, Flanged
- Substrate Material: Aluminum Nitride
- Process: Thin Film
- Resistive Material: Tantalum
- Terminals: Silver
- Cover: Alumina
- Mounting Flange: 100% Cu, Ni or Ag Plated
- Mechanical Tolerance: $\pm .005$
- SMT and Chip products, supplied on Tape and Reel
- Non-Magnetic (exception CS and CW Style Surface Mount Resistors)
- Lead-Free, RoHS Compliant

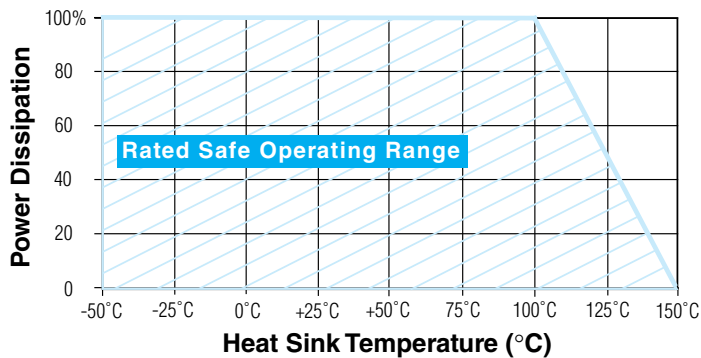


HOW TO ORDER



*G $\pm 2\%$ available - Consult Factory

POWER DERATING



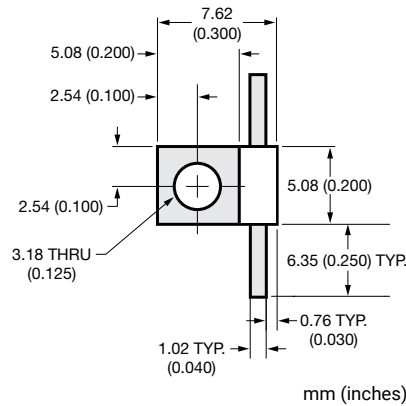
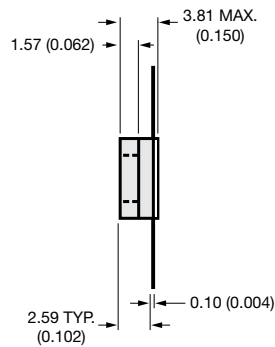
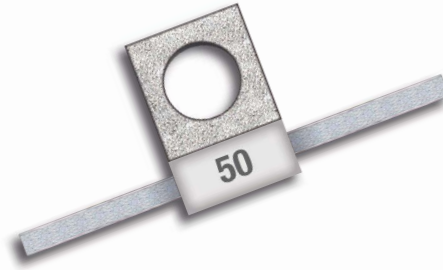
High Power Resistive Products

Flange Mount Resistors

P/N: FR10300NXXXXJ

ELECTRICAL SPECIFICATIONS

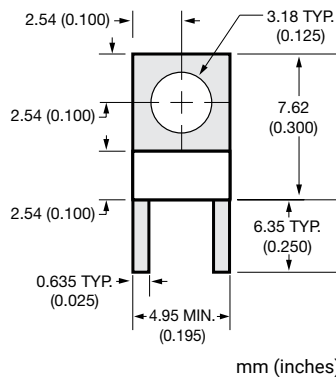
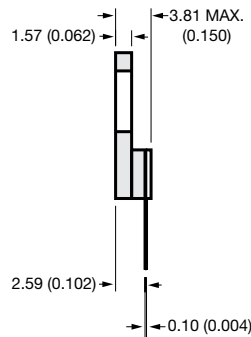
- **Resistance:** 100 Ω standard (other Ω values available)
- **Resistive Tolerance:** ±5% standard (±2% available)
- **Power:** 20 Watts
- **Capacitance:** 1.0 pF
- **Operating Temperature Range:** -55°C to +150°C
- **Temperature Coefficient:** <150 ppm/°C
- **Tabs:** Silver
- **Lead-Free, RoHS Compliant**
- **Non-Magnetic available**



P/N: FR10302NXXXXJ

ELECTRICAL SPECIFICATIONS

- **Resistance:** 100 Ω standard (other Ω values available)
- **Resistive Tolerance:** ±5% standard (±2% available)
- **Power:** 20 Watts
- **Capacitance:** 1.0 pF
- **Operating Temperature Range:** -55 to +150°C
- **Temperature Coefficient:** <150 ppm/°C
- **Tabs:** Silver
- **Lead-Free, RoHS Compliant**
- **Non-Magnetic available**



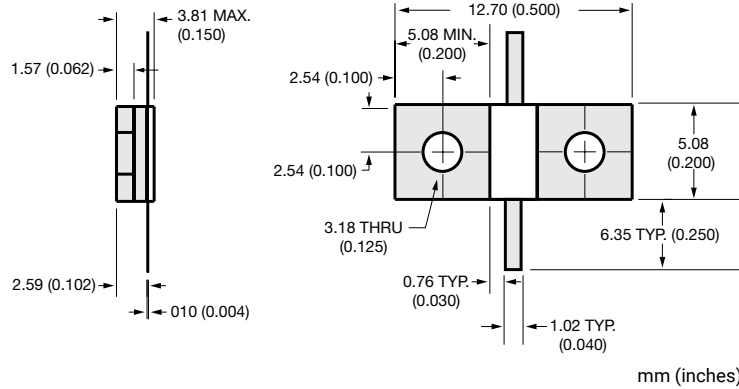
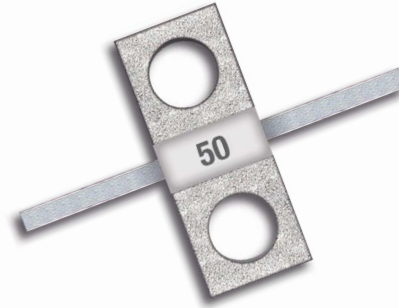
High Power Resistive Products

Flange Mount Resistors

P/N: FR10500NXXXXJ

ELECTRICAL SPECIFICATIONS

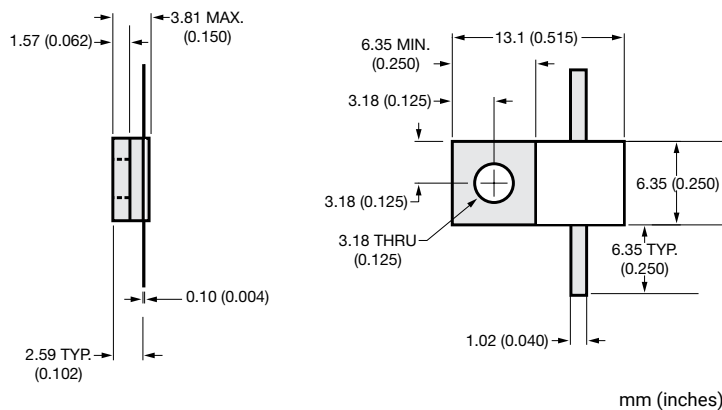
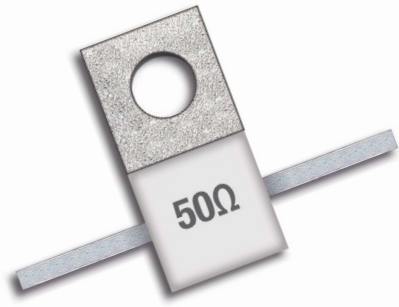
- **Resistance:** 100 Ω standard (other Ω values available)
- **Resistive Tolerance:** ±5% standard (±2% available)
- **Power:** 25 Watts
- **Capacitance:** 1.0pF
- **Operating Temperature Range:** -55 to +150°C
- **Temperature Coefficient:** <150 ppm/°C
- **Tabs:** Silver
- **Lead-Free, RoHS Compliant**
- **Non-Magnetic available**



P/N: FR10515NXXXXJ

ELECTRICAL SPECIFICATIONS

- **Resistance:** 100 Ω standard (other Ω values available)
- **Resistive Tolerance:** ±5% standard (±2% available)
- **Power:** 60 Watts
- **Capacitance:** 2.0 pF
- **Operating Temperature Range:** -55°C to +150°C
- **Temperature Coefficient:** <150 ppm/°C
- **Tabs:** Silver
- **Lead-Free, RoHS Compliant**
- **Non-Magnetic available**



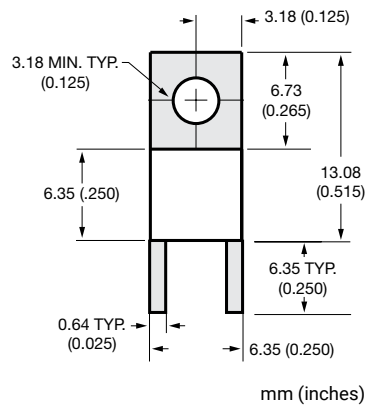
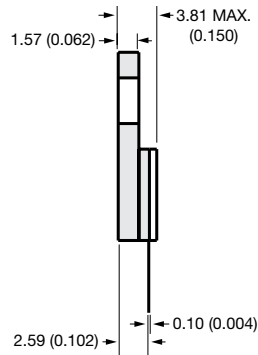
High Power Resistive Products

Flange Mount Resistors

P/N: FR10517NXXXXJ

ELECTRICAL SPECIFICATIONS

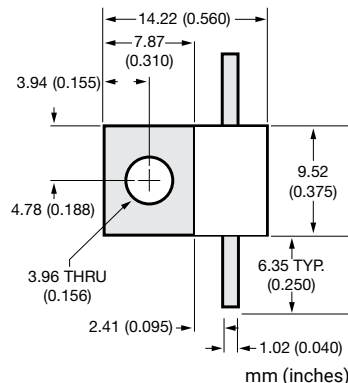
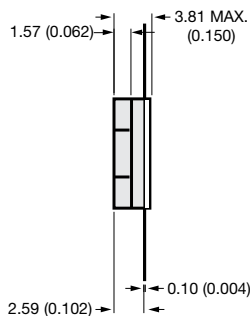
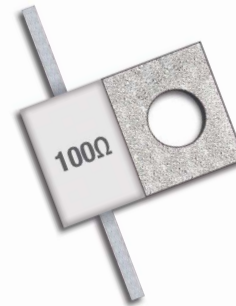
- **Resistance:** 100 Ω standard (other Ω values available)
- **Resistive Tolerance:** ±5% standard (±2% available)
- **Power:** 60 Watts
- **Capacitance:** 2.2 pF
- **Operating Temperature Range:** -55 to +150°C
- **Temperature Coefficient:** <150 ppm/°C
- **Tabs:** Silver
- **Lead-Free, RoHS Compliant**
- **Non-Magnetic available**



P/N: FR10560NXXXXJ

ELECTRICAL SPECIFICATIONS

- **Resistance:** 100 Ω standard (other Ω values available)
- **Resistive Tolerance:** ±5% standard (±2% available)
- **Power:** 75 Watts
- **Capacitance:** 4.15 pF
- **Operating Temperature Range:** -55°C to +150°C
- **Temperature Coefficient:** <150 ppm/°C
- **Tabs:** Silver
- **Lead-Free, RoHS Compliant**
- **Non-Magnetic available**



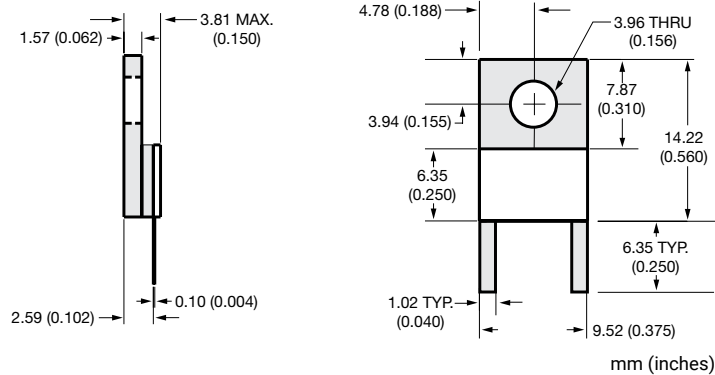
High Power Resistive Products

Flange Mount Resistors

P/N: FR10562NXXXXJ

ELECTRICAL SPECIFICATIONS

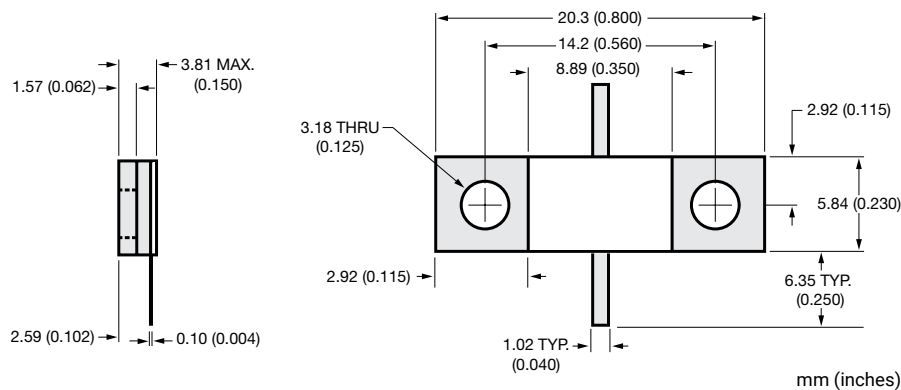
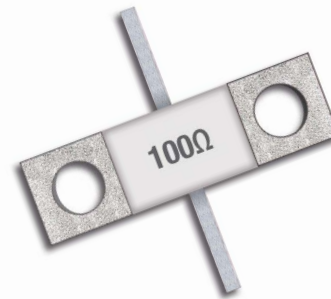
- **Resistance:** 100 Ω standard (other Ω values available)
- **Resistive Tolerance:** ±5% standard (±2% available)
- **Power:** 75 Watts
- **Capacitance:** 4.15 pF
- **Operating Temperature Range:** -55 to +150°C
- **Temperature Coefficient:** <150 ppm/°C
- **Tabs:** Silver
- **Lead-Free, RoHS Compliant**
- **Non-Magnetic available**



P/N: FR10800NXXXXJ

ELECTRICAL SPECIFICATIONS

- **Resistance:** 100 Ω standard (other Ω values available)
- **Resistive Tolerance:** ±5% standard (±2% available)
- **Power:** 100 Watts
- **Capacitance:** 3.10 pF
- **Operating Temperature Range:** -55°C to +150°C
- **Temperature Coefficient:** <150 ppm/°C
- **Tabs:** Silver
- **Lead-Free, RoHS Compliant**
- **Non-Magnetic available**



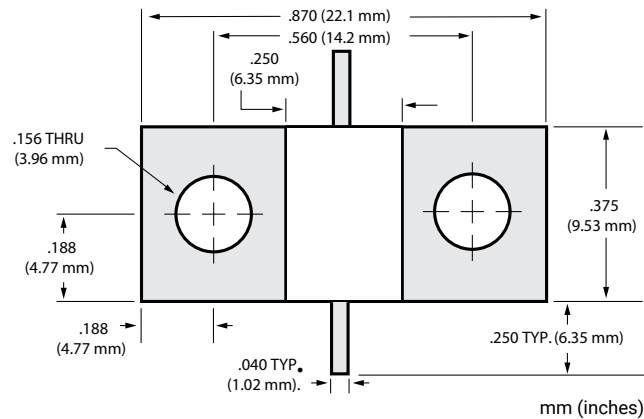
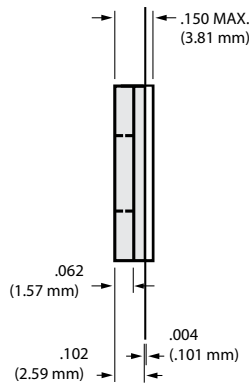
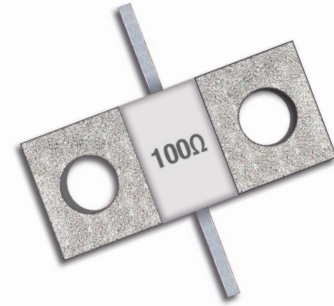
High Power Resistive Products

Flange Mount Resistors

P/N: FR10870NXXXXJ

ELECTRICAL SPECIFICATIONS

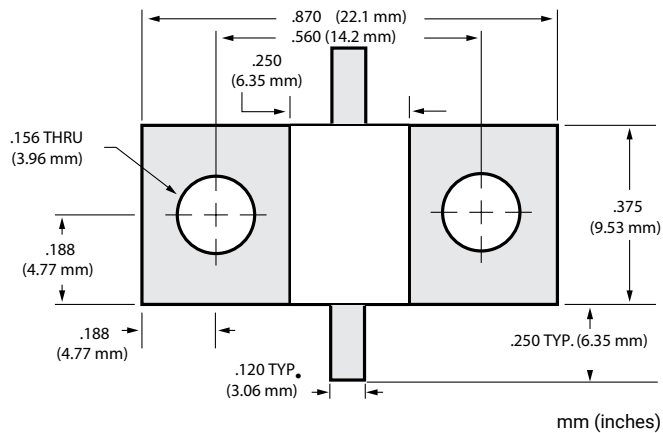
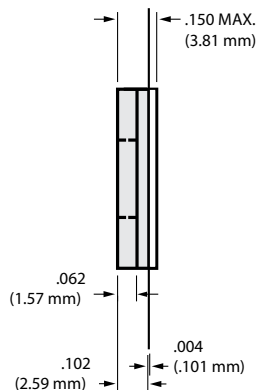
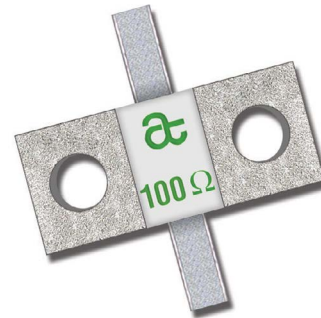
- **Resistance:** 100 Ω standard (other Ω values available)
- **Resistive Tolerance:** ±5% standard (±2% available)
- **Power:** 150 Watts
- **Capacitance:** 4.15 pF
- **Operating Temperature Range:** -55°C to +150°C
- **Temperature Coefficient:** <150 ppm/°C
- **Tabs:** Silver
- **Lead-Free, RoHS Compliant**
- **Non-Magnetic available**



P/N: FR10870NXXXXJ01

ELECTRICAL SPECIFICATIONS

- **Resistance:** 100 Ω standard (other Ω values available)
- **Resistive Tolerance:** ±5% standard (±2% available)
- **Power:** 150 Watts
- **Capacitance:** 4.15 pF
- **Operating Temperature Range:** -55°C to +150°C
- **Temperature Coefficient:** <150 ppm/°C
- **Tabs:** Silver
- **Lead-Free, RoHS Compliant**
- **Non-Magnetic available**



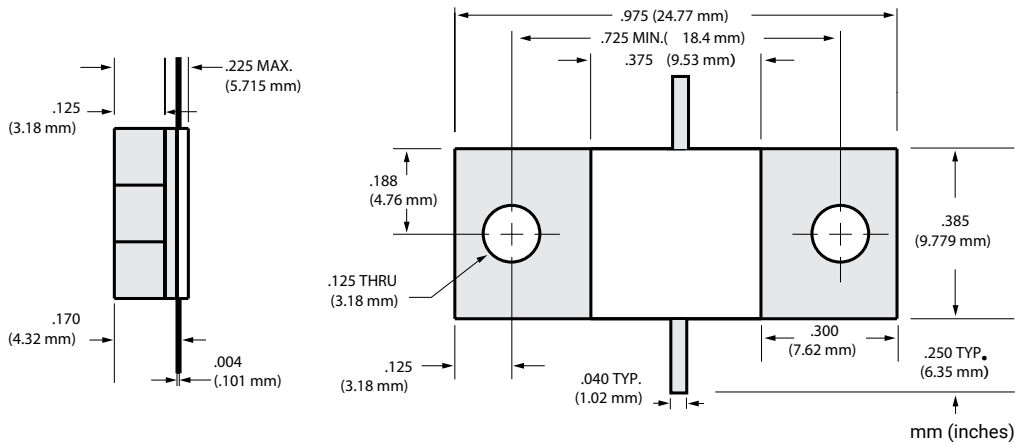
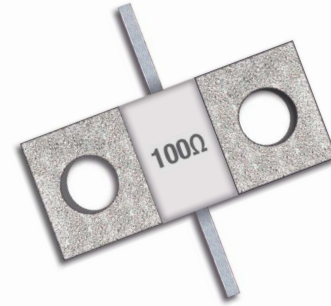
High Power Resistive Products

Flange Mount Resistors

P/N: FR10975NXXXXJ

ELECTRICAL SPECIFICATIONS

- **Resistance:** 100 Ω standard (other Ω values available)
- **Resistive Tolerance:** :±5% standard (±2% available)
- **Power:** 250 Watts
- **Capacitance:** 6.5 pF
- **Operating Temperature Range:** -55 to +150°C
- **Temperature Coefficient:** <150 ppm/°C
- **Tabs:** Silver
- **Lead-Free, RoHS Compliant**
- **Non-Magnetic available**



P/N: FR10975N0100J01

ELECTRICAL SPECIFICATIONS

- **Resistance:** 100 Ω standard (other Ω values available)
- **Resistive Tolerance:** :±5% standard (±2% available)
- **Power:** 250 Watts
- **Capacitance:** 6.5 pF
- **Operating Temperature Range:** -55 to +150°C
- **Temperature Coefficient:** <150 ppm/°C
- **Tabs:** Silver
- **Lead-Free, RoHS Compliant**
- **Non-Magnetic available**

