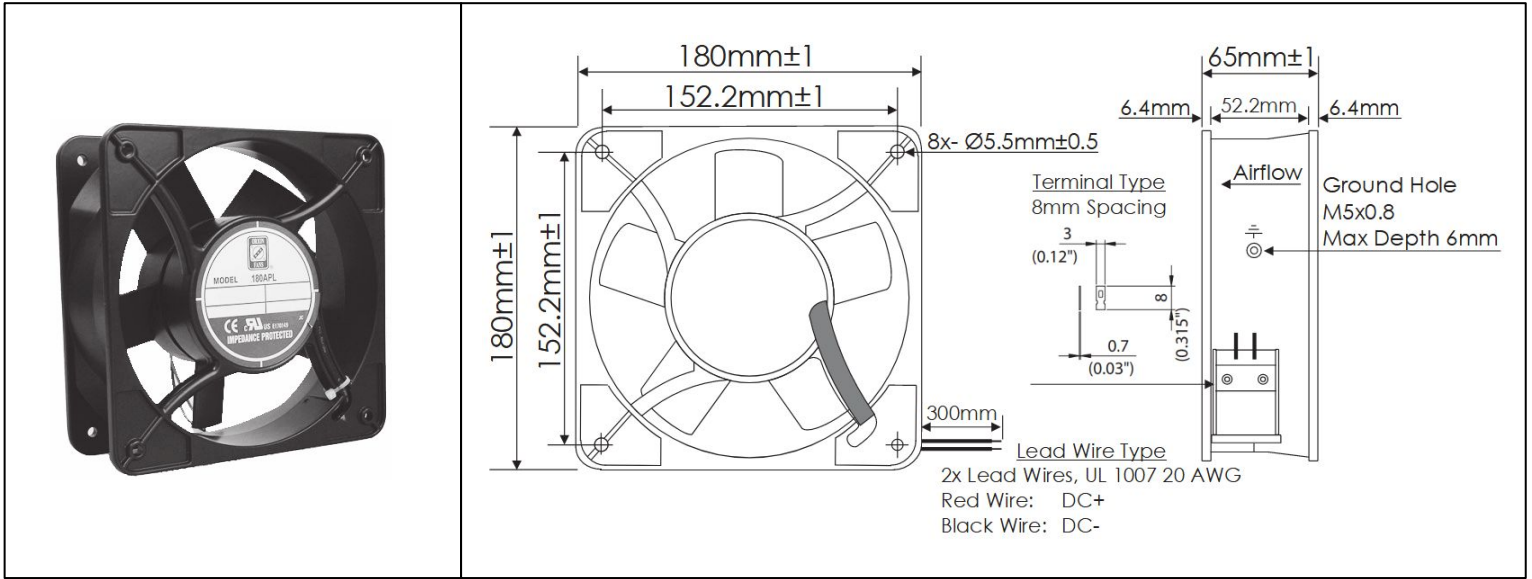


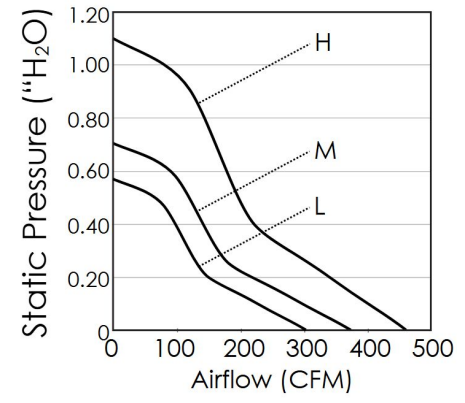
OD180APL Series



DC Fans - 12, 24, 48V
180mm x 180mm x 65mm (7" x 2.5")



Frame	Die Cast Aluminum, Black Finish	Operating Temperature -20°C ~ +65°C
Impeller	PBT, UL94 V-0 Plastic	
Connection	2x Wire Leads, 20 AWG, or Terminals	Storage Temperature -20°C ~ +75°C
Motor	Brushless DC, Auto Cutoff, Auto Restart, Electronically Protected, Polarity Protected	
Bearing System	Ball Bearings	Life Expectancy 60,000 Hours (L10 at 40°C)
Dielectric Strength	500VDC/min, <5mA	
Insulation Resistance	≥10M Ohm @ 500 VDC	Available Options PWM Speed Control Input Thermal Speed Control Tachometer Output Alarm Output IP Ratings
		Weight: 3.2 lbs.



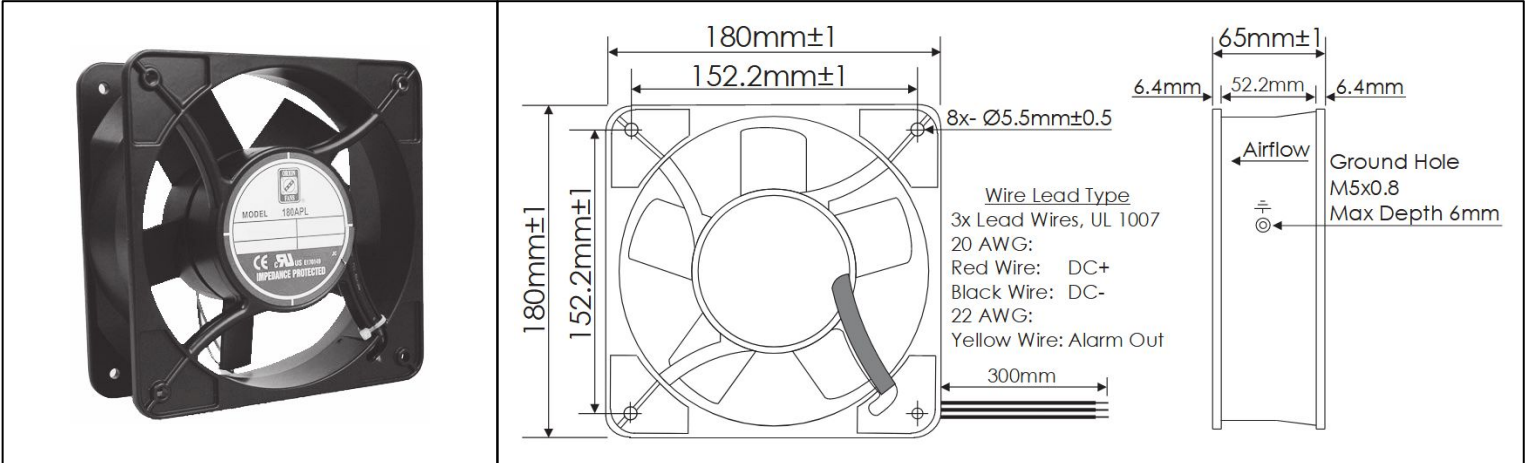
Part Number	Rated Voltage (Volts DC)	Voltage Range (Volts DC)	Rated Current (Amps)(Max)	Rated Power (Watts)	Rated Speed (RPM)	Max Airflow (CFM)	Noise Level (dBA)	Max Static Pressure (\"H ₂ O)
OD180APL-12H*B	12	9 ~ 13.8	4.20	50.4	3375	460	65.2	1.10
OD180APL-12M*B	12	9 ~ 13.8	1.90	23.5	2800	375	53.4	0.70
OD180APL-12L*B	12	9 ~ 13.8	1.50	19.0	2150	300	46.1	0.58
OD180APL-24H*B	24	20 ~ 26.4	2.50	60.2	3375	460	65.2	1.10
OD180APL-24M*B	24	20 ~ 26.4	1.15	27.6	2800	375	53.4	0.70
OD180APL-24L*B	24	20 ~ 26.4	0.62	15.6	2150	300	46.1	0.58
OD180APL-48H*B	48	28 ~ 52.0	1.03	49.4	3375	460	65.2	1.10
OD180APL-48M*B	48	28 ~ 52.0	0.48	24.2	2800	375	53.4	0.70
OD180APL-48L*B	48	28 ~ 52.0	0.30	15.4	2150	300	46.1	0.58

* Insert letter "T" for Terminal connection type

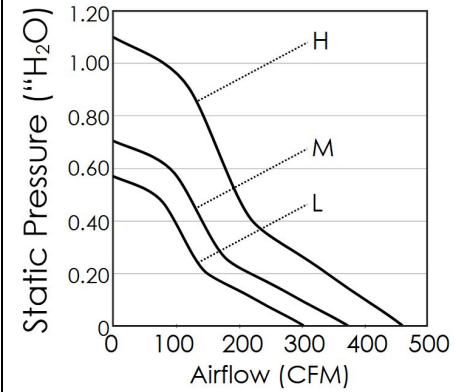
OD180APL Series with Alarm



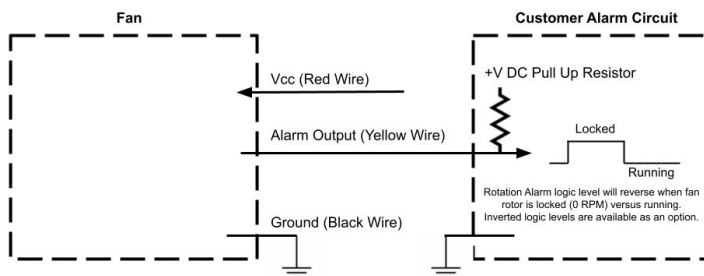
DC Fans - 12, 24, 48V
180mm x 180mm x 65mm (7" x 2.5")



Frame	Die Cast Aluminum, Black Finish	Operating Temperature -20°C ~ +65°C
Impeller	PBT, UL94 V-0 Plastic	
Connection	3x Wire Leads, 20/22 AWG	Storage Temperature -20°C ~ +75°C
Motor	Brushless DC, Auto Cutoff, Auto Restart, Electronically Protected, Polarity Protected	
Bearing System	Ball Bearings	Life Expectancy 60,000 Hours (L10 at 40°C)
Dielectric Strength	500VDC/min, <5mA	Installed Options Open Collector Alarm Output
Insulation Resistance	≥10M Ohm @ 500 VDC	Available Options Inverted Alarm Type
		Weight: 3.2 lbs



Part Number	Rated Voltage (Volts DC)	Voltage Range (Volts DC)	Rated Current (Amps)(Max)	Rated Power (Watts)	Rated Speed (RPM)	Max Airflow (CFM)	Noise Level (dBA)	Max Static Pressure ("H ₂ O)
OD180APL-12HB02A	12	9 ~ 13.8	4.20	50.4	3375	460	65.2	1.10
OD180APL-12MB02A	12	9 ~ 13.8	1.90	23.5	2800	375	53.4	0.70
OD180APL-12LB02A	12	9 ~ 13.8	1.50	19.0	2150	300	46.1	0.58
OD180APL-24HB02A	24	20 ~ 26.4	2.50	60.2	3375	460	65.2	1.10
OD180APL-24MB02A	24	20 ~ 26.4	1.15	27.6	2800	375	53.4	0.70
OD180APL-24LB02A	24	20 ~ 26.4	0.62	15.6	2150	300	46.1	0.58
OD180APL-48HB02A	48	28 ~ 52.0	1.03	49.4	3375	460	65.2	1.10
OD180APL-48MB02A	48	28 ~ 52.0	0.48	24.2	2800	375	53.4	0.70
OD180APL-48LB02A	48	28 ~ 52.0	0.30	15.4	2150	300	46.1	0.58

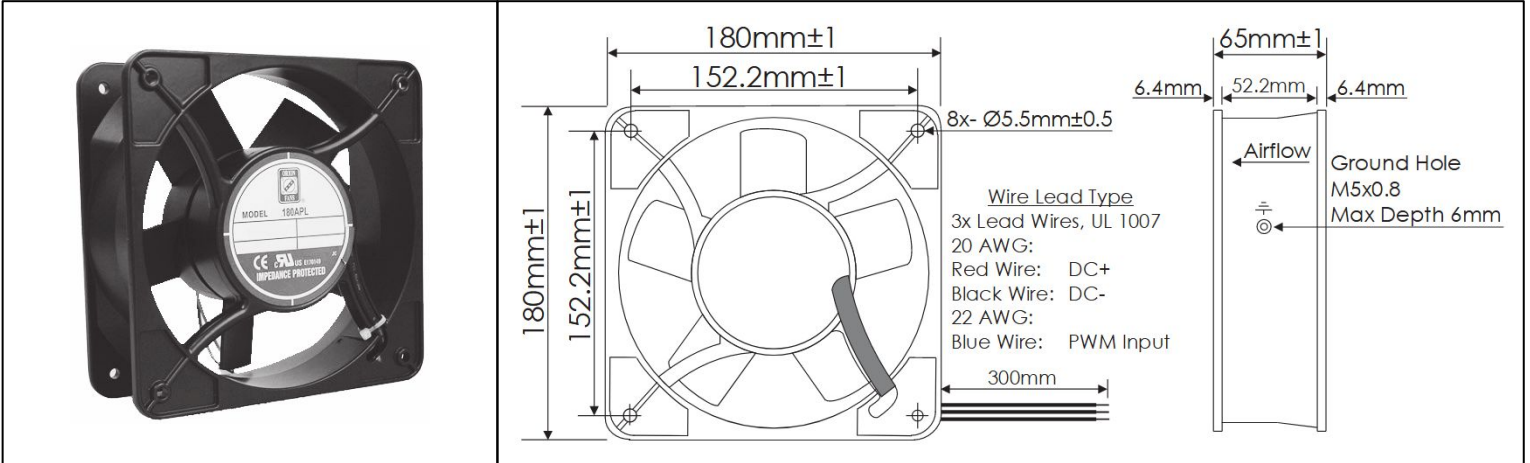


Alarm Max Pullup Voltage: Fan Vcc
 Alarm Max Sink Current: 5mA
 Alarm ACTIVE (0 RPM) State: HIGH

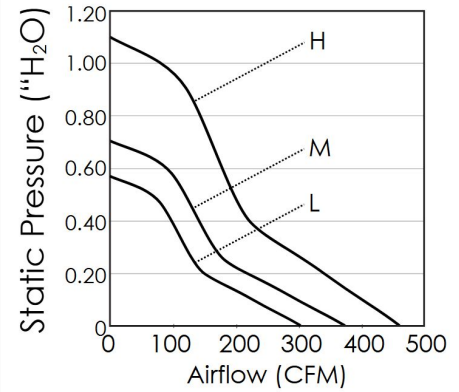
OD180APL Series with PWM



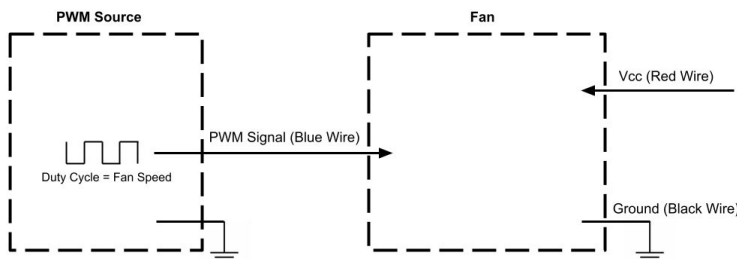
DC Fans - 12, 24, 48V
180mm x 180mm x 65mm (7" x 2.5")



Frame	Die Cast Aluminum, Black Finish	Operating Temperature -20°C ~ +65°C
Impeller	PBT, UL94 V-0 Plastic	
Connection	3x Wire Leads, 20/22 AWG	Storage Temperature -20°C ~ +75°C
Motor	Brushless DC, Auto Cutoff, Auto Restart, Electronically Protected, Polarity Protected	
Bearing System	Ball Bearings	Life Expectancy 60,000 Hours (L10 at 40°C)
Dielectric Strength	500VDC/min, <5mA	
Insulation Resistance	≥10M Ohm @ 500 VDC	Installed Options PWM Speed Control Input
		Available Options 0-10V Speed Control Input
		Weight: 3.2 lbs



Part Number	Rated Voltage (Volts DC)	Voltage Range (Volts DC)	Rated Current (Amps)(Max)	Rated Power (Watts)	Rated Speed (RPM)	Max Airflow (CFM)	Noise Level (dBA)	Max Static Pressure ("H ₂ O)
OD180APL-12HB05	12	9 ~ 13.8	4.20	50.4	3375	460	65.2	1.10
OD180APL-12MB05	12	9 ~ 13.8	1.90	23.5	2800	375	53.4	0.70
OD180APL-12LB05	12	9 ~ 13.8	1.50	19.0	2150	300	46.1	0.58
OD180APL-24HB05	24	20 ~ 26.4	2.50	60.2	3375	460	65.2	1.10
OD180APL-24MB05	24	20 ~ 26.4	1.15	27.6	2800	375	53.4	0.70
OD180APL-24LB05	24	20 ~ 26.4	0.62	15.6	2150	300	46.1	0.58
OD180APL-48HB05	48	28 ~ 52.0	1.03	49.4	3375	460	65.2	1.10
OD180APL-48MB05	48	28 ~ 52.0	0.48	24.2	2800	375	53.4	0.70
OD180APL-48LB05	48	28 ~ 52.0	0.30	15.4	2150	300	46.1	0.58



PWM Max High Voltage: 5V
 PWM Max Sink Current: 5mA
 PWM Frequency Range: 1KHz-100KHz
 PWM Typical Frequency: 25KHz
 RPM at 0% Duty Cycle: 0 RPM
 RPM will be full speed if PWM input is disconnected.