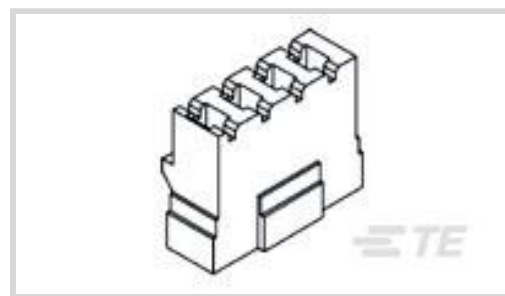




EMI & EMC Solutions > EMI & EMC Accessories



Filter Accessory Type: **Pins Only**

### Features

#### Product Type Features

Filter Accessory Type	Pins Only
-----------------------	-----------

#### Body Features

Primary Product Color	Black
-----------------------	-------

### Product Compliance

[For compliance documentation, visit the product page on TE.com>](#)

EU RoHS Directive 2011/65/EU	Compliant
EU ELV Directive 2000/53/EC	Compliant
China RoHS 2 Directive MIIT Order No 32, 2016	No Restricted Materials Above Threshold
EU REACH Regulation (EC) No. 1907/2006	Current ECHA Candidate List: JAN 2024 (240) Candidate List Declared Against: JAN 2024 (240) Does not contain REACH SVHC
Halogen Content	Low Halogen - Br, Cl, F, I < 900 ppm per homogenous material. Also BFR/CFR/PVC Free
Solder Process Capability	Not applicable for solder process capability

#### Product Compliance Disclaimer


This information is provided based on reasonable inquiry of our suppliers and represents our current actual knowledge based on the information they provided. This information is subject to change. The part numbers that TE has identified as EU RoHS compliant have a maximum concentration of 0.1% by weight in homogenous materials for lead, hexavalent chromium, mercury, PBB, PBDE, DBP, BBP, DEHP, DIBP, and 0.01% for cadmium, or qualify for an exemption to these limits as defined in the Annexes of Directive 2011/65/EU (RoHS2). Finished electrical and electronic equipment products will be CE marked as required by Directive 2011/65/EU. Components may not be CE marked. Additionally, the part numbers that TE has identified as EU ELV compliant have a maximum concentration of 0.1% by weight in homogenous materials for lead, hexavalent chromium, and mercury, and 0.01% for cadmium, or qualify for an exemption to these limits as defined in the Annexes of Directive 2000/53/EC (ELV). Regarding the REACH Regulation, the information TE provides

on SVHC in articles for this part number is based on the latest European Chemicals Agency (ECHA) 'Guidance on requirements for substances in articles' posted at this URL: <https://echa.europa.eu/guidance-documents/guidance-on-reach>

## Compatible Parts



TE Part # CAT-C8114-P2  
CORCOM P SERIES MULTI-FUNCTION INLET FIL




TE Part # CAT-C8114-P4  
High Performance Filters, Corcom P Series



TE Part # CAT-C8114-P3  
Power Entry Module: Medium Multi-Function, Corcom P Series

## Also in the Series | Corcom P



EMI & EMC Accessories(4)



Multi-Function Inlet Filters(368)

## Customers Also Bought



TE Part # 4-6609106-8  
PS0S0DH6B=C1290



TE Part # 5103308-6  
A/L LOW PRO HDR 26P VERT BLACK



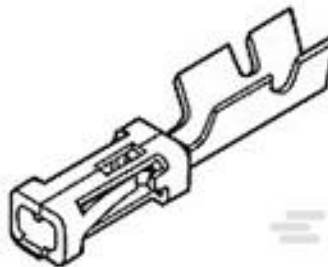
TE Part # 1217133-1  
187 FASTON,PCB TAB,TNBR



TE Part # 1658527-2  
622-0630LF FEM SOCKET,LEAD FREE



TE Part # 2-327934-2  
TERMINAL,PIDG RECT 16-14 8



TE Part # 87667-3  
MOD IV RECP LP



TE Part # 184246-1  
2X2 CAP ASY KEY A C4

## Documents

[CAD Files](#)



**3D PDF**

3D

**Customer View Model**

[ENG\\_CVM\\_CVM\\_1609146-2\\_B.2d\\_dxf.zip](#)

English

**Customer View Model**

[ENG\\_CVM\\_CVM\\_1609146-2\\_B.3d\\_igs.zip](#)

English

**Customer View Model**

[ENG\\_CVM\\_CVM\\_1609146-2\\_B.3d\\_stp.zip](#)

English

By downloading the CAD file I accept and agree to the [Terms and Conditions](#) of use.

**Datasheets & Catalog Pages**

[1654001\\_CORCOM\\_PRODUCT\\_GUIDE](#)

English

[Corcom Combined Selector Charts](#)

English