

# Customer Information Sheet

DRAWING No.: H3184-XX

SHEET 2 OF 2

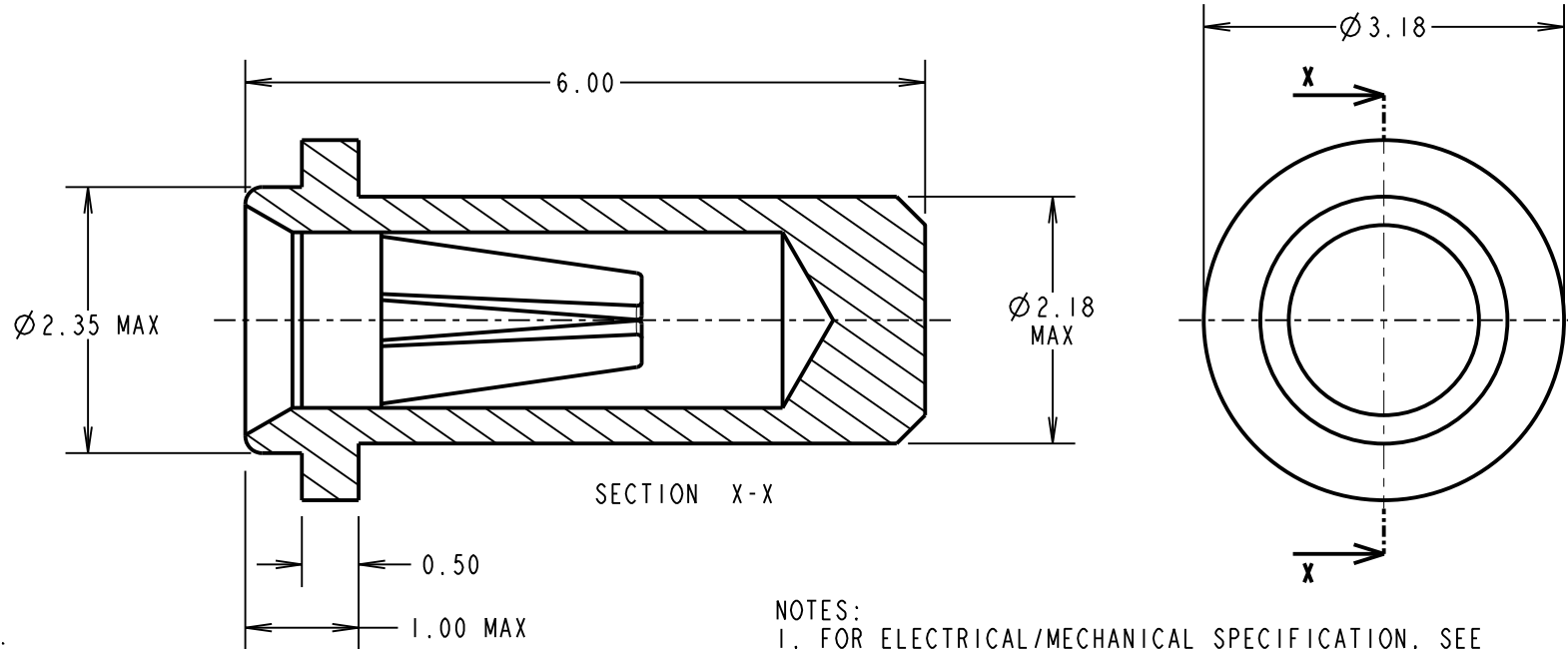
IF IN DOUBT - ASK

Ⓢ

NOT TO SCALE

THIRD ANGLE PROJECTION

ALL DIMENSIONS IN mm



**SPECIFICATION:**

**MATERIAL:**

CONTACT SHELL = BRASS  
CONTACT CLIP = BERYLLIUM COPPER

**FINISH: (ALL OVER NICKEL)**

01 = 4 $\mu$  100% TIN SHELL, 0.15 $\mu$  GOLD CLIP  
05 = 0.1 $\mu$  GOLD SHELL, 0.15 $\mu$  GOLD CLIP

**ELECTRICAL:**

CURRENT RATING AT 25°C = 10A MAX  
CURRENT RATING AT 85°C = 7.5A MAX  
CONTACT RESISTANCE (INITIAL) = 10 MILLIOHMS MAX  
CONTACT RESISTANCE (AFTER CONDITIONING) = 25 MILLIOHMS MAX

**MECHANICAL:**

INSERTION FORCE (INITIAL) = 9N MAX, 3N MIN ( $\varnothing$ 1mm GAUGE)  
WITHDRAWAL FORCE (INITIAL) = 3N MAX, 1N MIN ( $\varnothing$ 1mm GAUGE)  
DURABILITY = 1000 OPERATIONS

**ENVIRONMENTAL:**

OPERATING TEMPERATURE = -55°C TO +125°C

**NOTES:**

1. FOR ELECTRICAL/MECHANICAL SPECIFICATION, SEE COMPONENT SPECIFICATION C009XX (LATEST ISSUE).
2. MAXIMUM PIN LENGTH = 5.29mm.
3. RECOMMENDED MOUNTING HOLE SIZE =  $\varnothing$ 2.29-2.19mm.
4. RECOMMENDED PIN SIZE =  $\varnothing$ 1.05-0.90mm.
5. MAXIMUM CONTACT DEPTH = 3.90mm.

ORDER CODE:

**H3184-XX**

FINISH:

01 = 100% TIN SHELL, GOLD CLIP  
05 = GOLD SHELL, GOLD CLIP

MSP	8	21.04.17	20528
NAME	ISS.	DATE	C/NOTE
APPROVED:		M. PERREN	
CHECKED:		S. BENNETT	
DRAWN:		I. SANDY	
CUSTOMER REF.:			
ASSEMBLY DRG:			

**HARWIN**

www.harwin.com  
technical@harwin.com

THIS DRAWING AND ANY INFORMATION OR DESCRIPTIVE MATTER SET OUT HEREON ARE CONFIDENTIAL AND COPYRIGHT PROPERTY OF THE HARWIN GROUP AND MUST NOT BE DISCLOSED, LOANED, COPIED OR USED FOR MANUFACTURING, TENDERING OR FOR ANY OTHER PURPOSE WITHOUT THEIR WRITTEN PERMISSION.

**TOLERANCES**

X. =  $\pm$ 1mm  
X.X =  $\pm$ 0.50mm  
X.XX =  $\pm$ 0.10mm  
X.XXX =  $\pm$ 0.01mm

ANGLES =  $\pm$ 5°  
UNLESS STATED

**MATERIAL:**

SEE ABOVE

**FINISH:**

SEE ABOVE

**S/AREA:**

mm<sup>2</sup>

**TITLE:**

$\varnothing$ 1.00mm SOCKET ASSEMBLY

**DRAWING NUMBER:**

**H3184-XX**

SHT  
2  
OF  
2