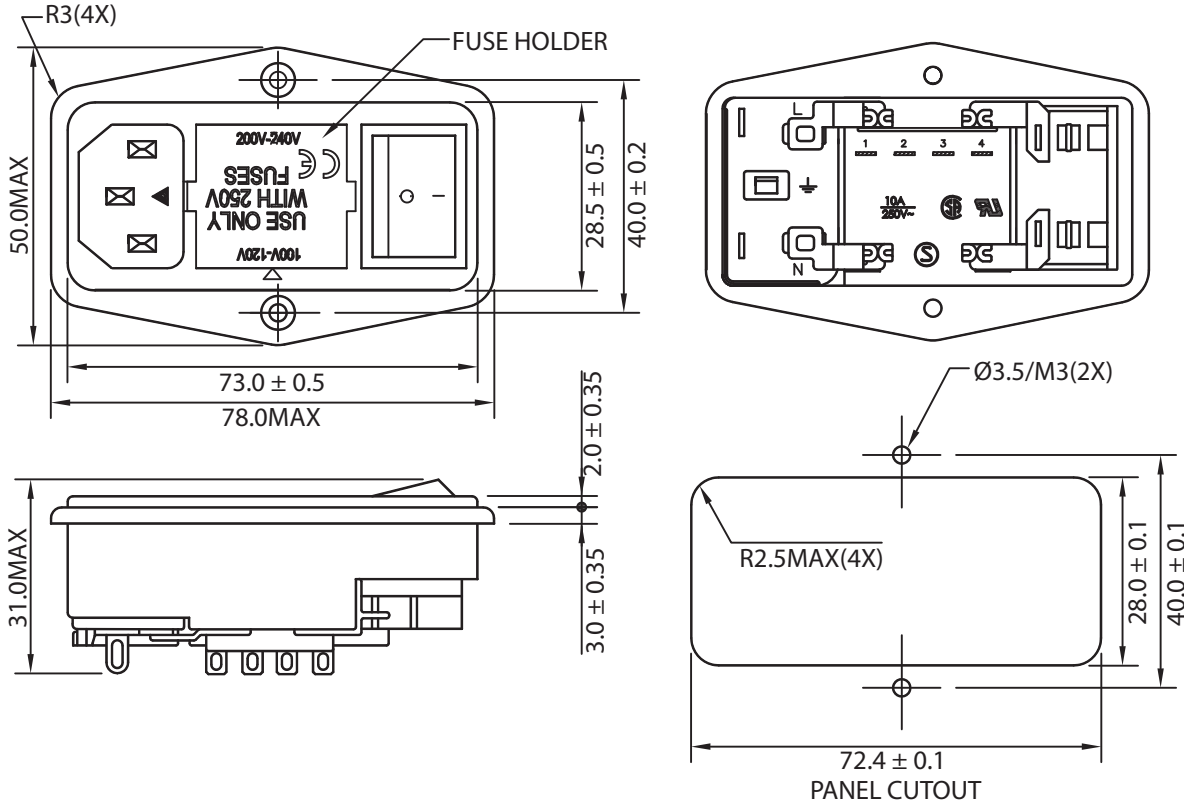


THESE DRAWINGS ARE THE PROPERTY OF QUALTEK ELECTRONICS AND NOT TO BE REPRODUCED FOR OR COMMUNICATED TO A THIRD PARTY WITHOUT THE EXPRESS WRITTEN PERMISSION OF AN OFFICER OF QUALTEK ELECTRONICS.

REVISION			
REV.	DESCRIPTION	DATE	APPROVED
B	RoHS Compliancy	06-01-06	DP
C	Updated Specifications	01-24-08	DP
D	Updated Graphics	05-30-13	LY

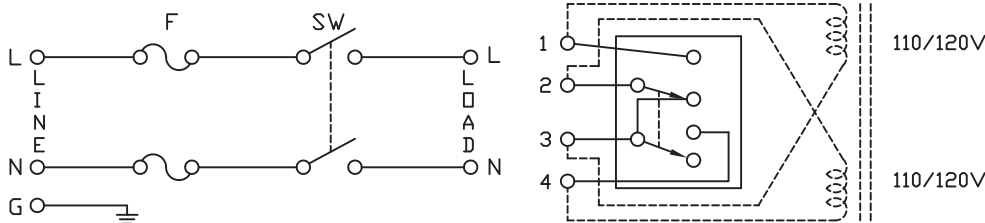
MECHANICAL DIMENSIONS:



ELECTRICAL CHARACTERISTICS:

- 1-1. VOLTAGE RATING.....250VAC
- 1-2. CURRENT RATING
A. @ 250 VAC (UL,CSA, SEMKO).....10 A RMS MAX
- 1-3. HIPOT RATING (FOR ONE MINUTE)
A. LINE TO GROUND 2000V AC
B. LINE TO LINE2000V AC
- 1-4. MINIMUM INSULATION RESISTANCE: @ 500V DC
A. LINE & NEUTRAL TO GROUND 100M OHM
B. LINE TO NEUTRAL 100M OHM
- 1-5. DOUBLE 5X20mm FUSEHOLDER, PLASTIC CASE
- 1-6. SOLDER TAB TERMINALS
- 1-7. APPROVALS:
- 1-8. RoHS COMPLIANT

ELECTRICAL SCHEMATIC:



CONTROLLED

		Qualtek Electronics Corp. PPC DIVISION		
Dim range (mm)	Tolerance +/- (mm)	Part Number: 764-00/003		
		Description: MULTI-FUNCTION MODULE		
0-1	0.15	UNIT: mm		REV. D
1-6	0.20	Drawn / Date		Checked / Date
6-18	0.30	B.ZHANG		09-24-03
18-50	0.50	09-24-03		JJH / 09-24-03
50-120	0.70			
120-250	0.90			
250-500	1.20			