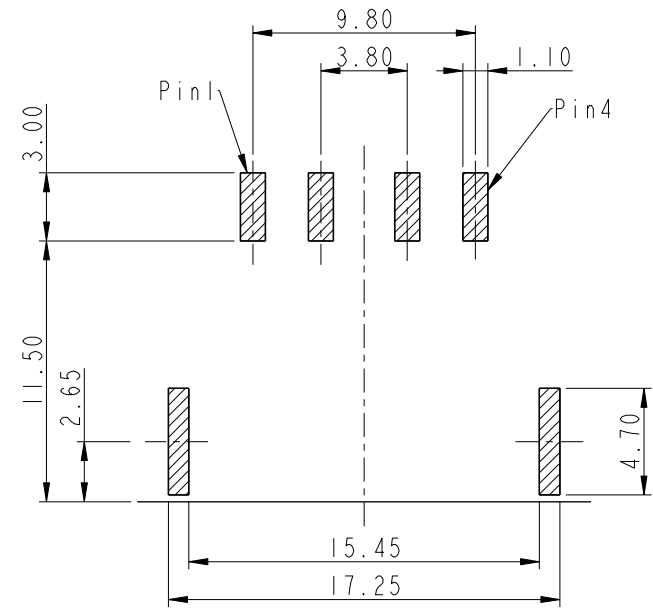
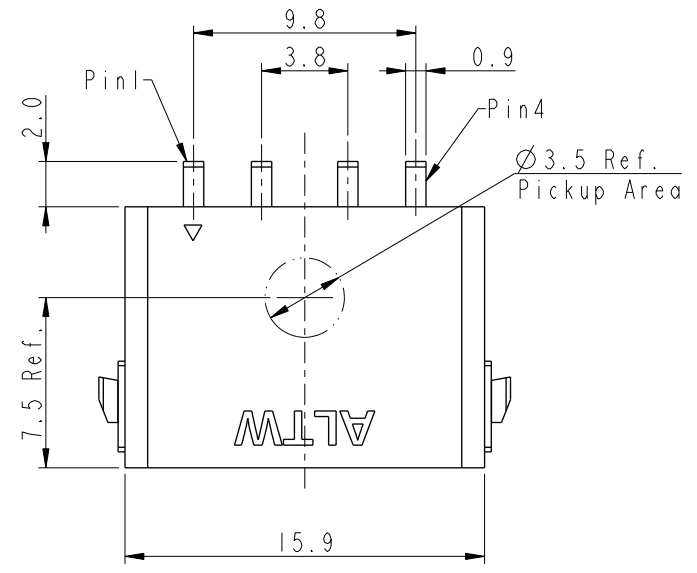
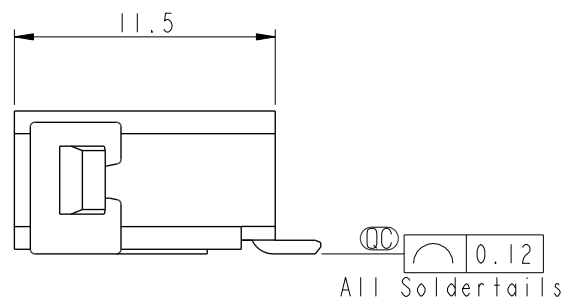
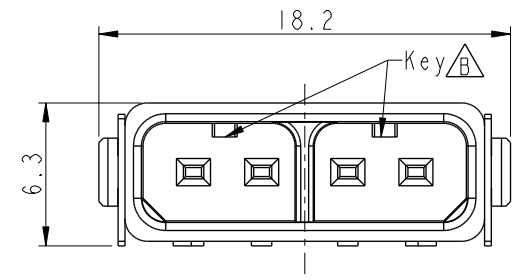


THIS DOCUMENT IS SUBJECT TO CHANGE WITHOUT NOTICE. IT IS CONFIDENTIAL AND A PROPERTY OF Amphenol LTW. DISCLOSURE TO THIRD PARTY HAS TO BE AUTHORIZED BY Amphenol LTW.

REV.	ECN NO.	DATE	SIGN	DESCRIPTION
C	LEN1620282	2016-02-29	Fisher	Update label
D	C220940	2022-06-22	Ruru	$\triangle D$ X3
E	C231462	2023-11-20	Ruru	$\triangle E$ XI



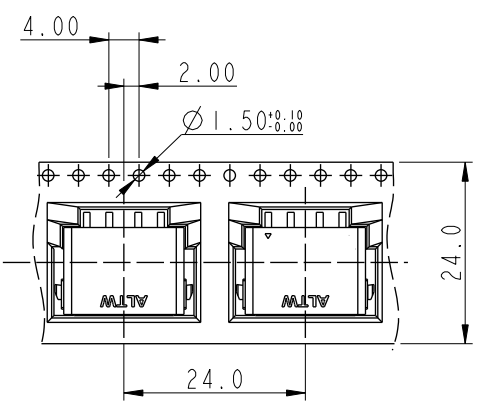
RECOMMENDED PCB LAYOUT
GENERAL TOLERANCE IS ± 0.05



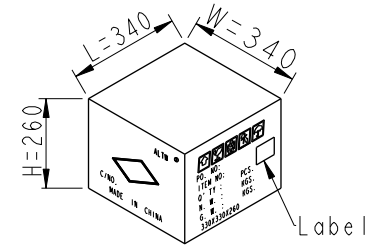
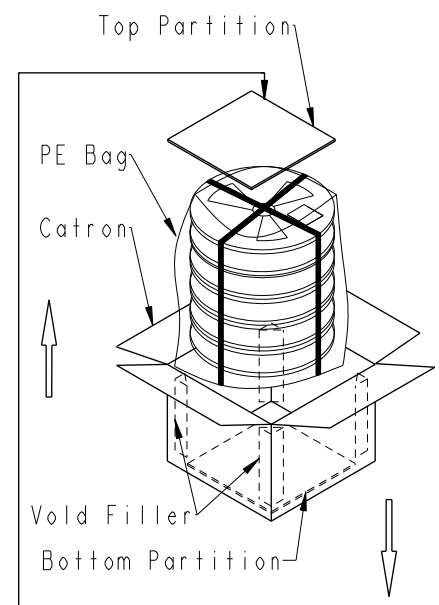
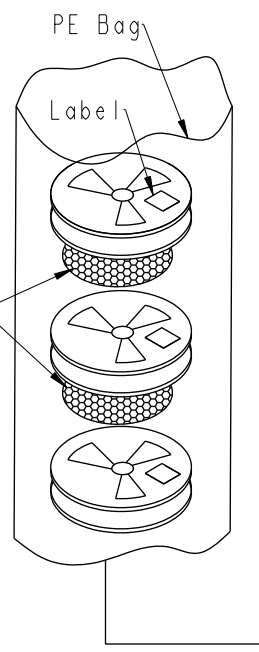
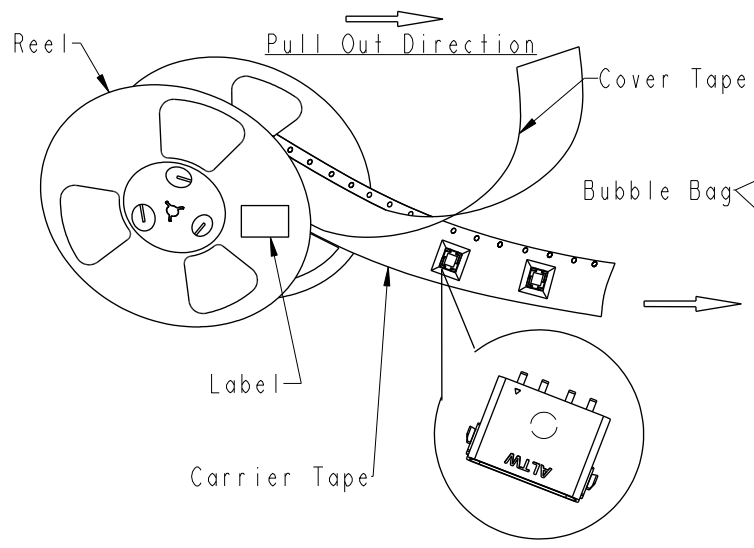
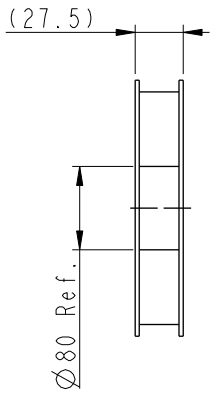
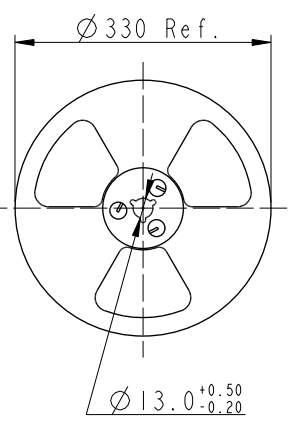
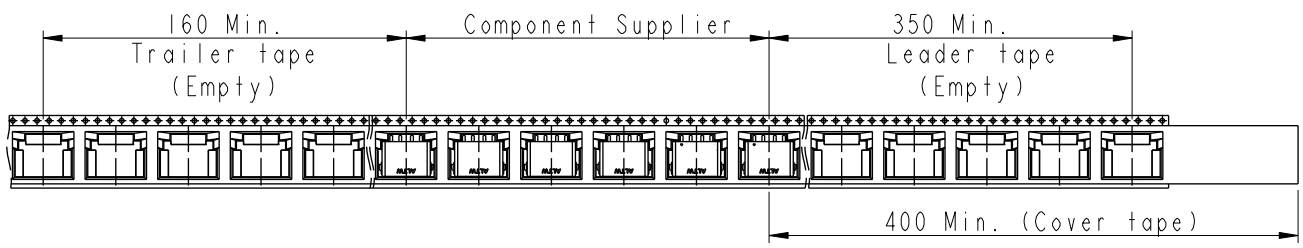
- Notes:
- * $\text{\textcircled{D}}$ Important Dimension To Check.
 - * Waterproof Rate: IP68(mating)
1M Depth Of Water In 24 Hours.
 - * Housing: High temperature thermoplastic.
UL94V-0, color is natural white.
 - * Terminal: Copper Alloy, Gold plated.
 - * Solder Peg: Copper Alloy, Tin plated.
 - * Current Rating: 5A maximum.
 - * Voltage Rating: 250V DC/AC maximum.
 - * Operating Temperature: -40 ~ +105°C

UNIT: mm TOLERANCE .X ± 0.25 .XX ± 0.1 .XXX ± 0.05 ANGLES $\pm 1^\circ$		TITLE SSL, 1.2 WP, F, 4P SMT R/A W/O POST, NONE $\triangle D$		<h1>Amphenol LTW</h1> 安費諾亮泰企業股份有限公司		ITEM NO SSL12-J4D00-000001	DRAWN BY Ruru	DATE 2023-11-20	
		SCALE 3:1	SIZE A4			SHEET 1 OF 2	DWG NO SSL12-J4D00-000001	CHECKED BY Rita	DATE 2023-11-20
		REV. E	WC-REV. A.1			$\text{\textcircled{C}}$: Inspection item	CUSTOMER ALTW	APPROVED BY Fred	DATE 2023-11-20

THIS DOCUMENT IS SUBJECT TO CHANGE WITHOUT NOTICE. IT IS CONFIDENTIAL AND A PROPERTY OF Amphenol LTW. DISCLOSURE TO THIRD PARTY HAS TO BE AUTHORIZED BY Amphenol LTW.



- MATERIALS**
- Carrier Tape: Polystyren (PS)
 - Cover Tape: Polystyren (PS)
 - Reel: Polystyren (PS)
- QUANTITY**
- 300Pcs Per Reel
 - 8 Reel Per Carton (2400Pcs/Carton)
 - Reference Standard: EIA-481-D
 - Net Weight: 2.7Kg/Carton
 - Gross Weight: 7.9Kg/Carton



UNIT:mm		
TOLERANCE	.X ±0.25	
	.XX ±0.1	
	.XXX ±0.05	
ANGLES	±1°	

TITLE SSL, 1.2 WP, F, 4P SMT R/A W/O POST, NONE		
SCALE Free	SIZE A4	SHEET 2 OF 2
REV. E	WC-REV. A.4	: Inspection item

Amphenol LTW
安費諾亮泰企業股份有限公司

ITEM NO SSL12-J4D00-000001	DRAWN BY Ruru	DATE 2023-11-20
DWG NO SSL12-J4D00-000001	CHECKED BY Rita	DATE 2023-11-20
CUSTOMER ALTW	APPROVED BY Fred	DATE 2023-11-20

DATE 2023-11-20
DATE 2023-11-20
DATE 2023-11-20