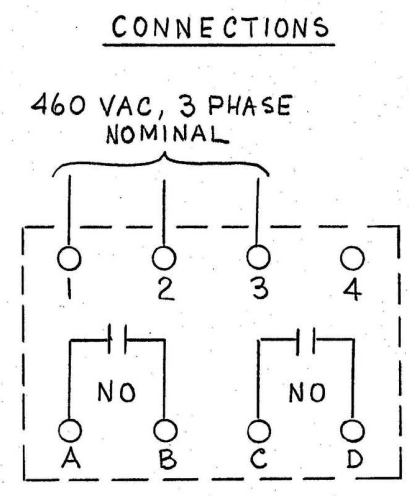
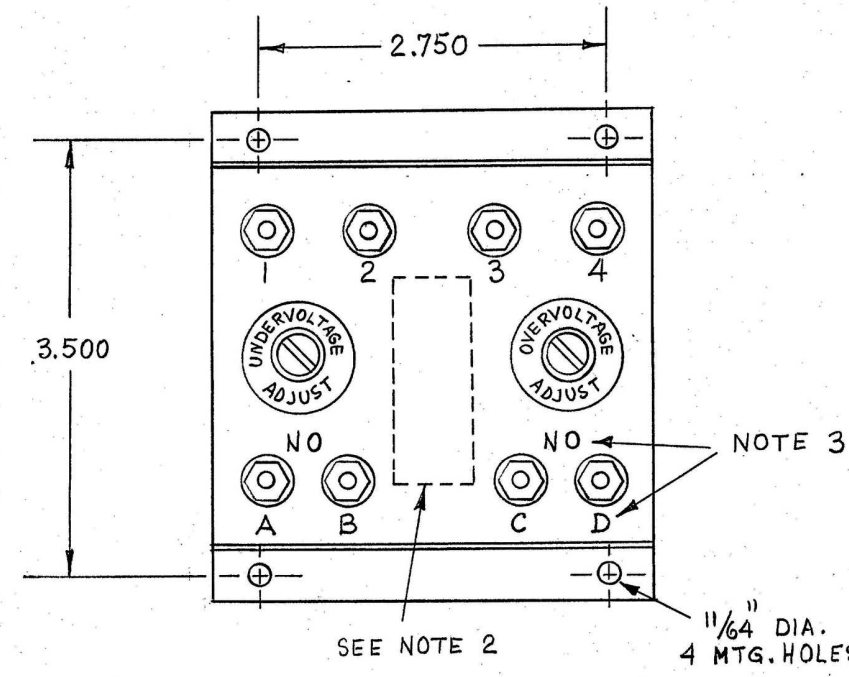
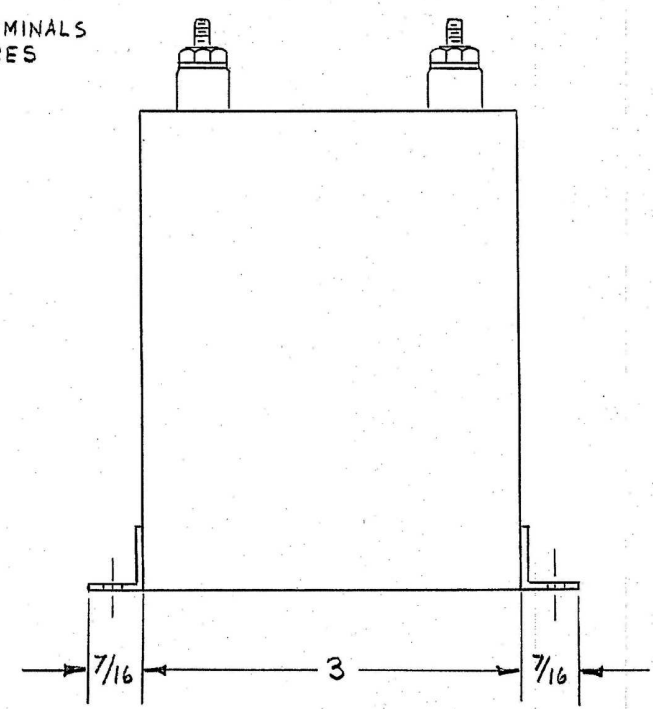
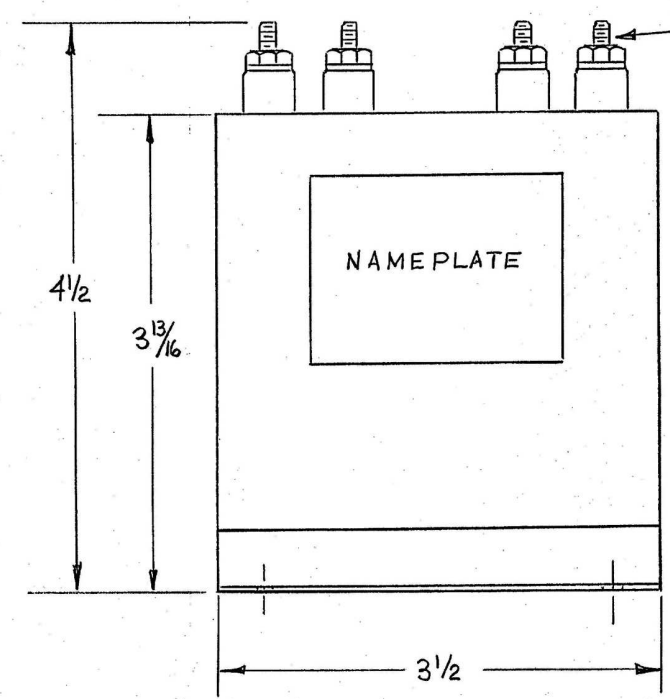


| REVISIONS |     |                      |         |          |
|-----------|-----|----------------------|---------|----------|
| ZONE      | LTR | DESCRIPTION          | DATE    | APPROVED |
|           | A   | DATE ADDED TO NOTE 2 | 8/25/78 | C.M.     |



SPECIFICATIONS

NOMINAL VOLTAGE: 460 VOLTS L-L, 3 PHASE  
 NOMINAL FREQUENCY: 50 - 400 Hz.  
 TRIP POINT RANGE:  
 UNDERVOLTAGE: 325 - 460 VOLTS, SCREWDRIVER ADJUSTABLE.  
 OVERVOLTAGE: 460 - 575 VOLTS, " "  
 PICK-UP TO DROP-OUT DIFFERENTIAL: 3% MAX.  
 OPERATING TEMPERATURE: -20°C TO +85°C  
 TEMPERATURE DRIFT: ±1% MAXIMUM VOLTAGE ERROR OVER THE TEMPERATURE RANGE.  
 OUTPUT CONTACTS: TWO SETS NORMALLY OPEN.  
 CONTACT RATING: 5 AMP RESISTIVE AT 120VAC OR 28VDC  
 OPERATION: THE CONTACTS ENERGIZE (CLOSE) AT NOMINAL VOLTAGE.  
 THE CONTACTS DE-ENERGIZE (OPEN) AT OVERVOLTAGE AND UNDERVOLTAGE.  
 CONSTRUCTION: SOLID STATE SENSOR WITH RELAY OUTPUT ENCLOSED IN A SEALED STEEL CAN.



NOTES

- THE VOLTAGE TRIP POINTS ARE FACTORY SET AS FOLLOWS:  
 UNDERVOLTAGE: 430 ± 10 VOLTS  
 OVERVOLTAGE: 530 ± 10 VOLTS
- "EMD P/N 9333490", DATE AND SERIAL NO. TO BE STAMPED IN AREA SHOWN ON FACE OF RELAY.
- STAMP LETTERS NO, NO, A, B, C & D IN LOCATIONS SHOWN.
- REMOVE SCREWS FOR ACCESS TO UNDERVOLTAGE AND OVERVOLTAGE TRIP ADJUSTMENTS. CLOCKWISE ROTATION OF THE ADJUSTMENT POTENTIOMETER WILL RAISE THE TRIP POINT.
- CONTACTS RESISTANCE IS FACTORY TESTED NOT TO EXCEED 100 mΩ AT 100 mA AND 28 VDC.

CUSTOMER DRAWING  
SD- 255-4X Rev. A

| QTY REQD.   | SYM | DESCRIPTION  | CODE IDENT NO.   | PART NO.       | SPEC          | MATERIAL OR NOTE | ITEM NO. |
|---|-----|--------------|--|----------------|---------------|------------------|----------|
| LIST OF MATERIAL  |     |              |  |                |               |                  |          |
| UNLESS OTHERWISE SPECIFIED DIMENSIONS ARE IN INCHES. TOLERANCES ON FRACTIONS DECIMALS ANGLES ± 1/32 ± .010 ± 1/2° |     | CONTRACT NO. | <div style="text-align: right;">  WILMAR ELECTRONICS, INC.<br/>           2430 AMSLER STREET TORRANCE, CALIFORNIA 90505         </div> |                |               |                  |          |
| DRAWN E.R.H.  |     | 10-4-77      | TITLE<br><b>OVER/UNDERVOLTAGE RELAY<br/>           MODEL 255-4X</b>  |                |               |                  |          |
| CHECKED [Signature]   |     | 10-4-77      |  |                |               |                  |          |
| DESIGN APPROVAL [Signature]   |     |              |  |                |               |                  |          |
| PROJECT APPROVAL [Signature]  |     |              |  |                |               |                  |          |
| DESIGN ACTIVITY APPROVAL [Signature]  |     |              | SIZE   | CODE IDENT NO. | DWG. NO.      |                  |          |
| APPROVAL [Signature]  |     |              | <b>C</b>   | <b>25248</b>   | <b>21-355</b> |                  |          |
|   |     | SCALE        | WEIGHT   |                | SHEET         |                  |          |