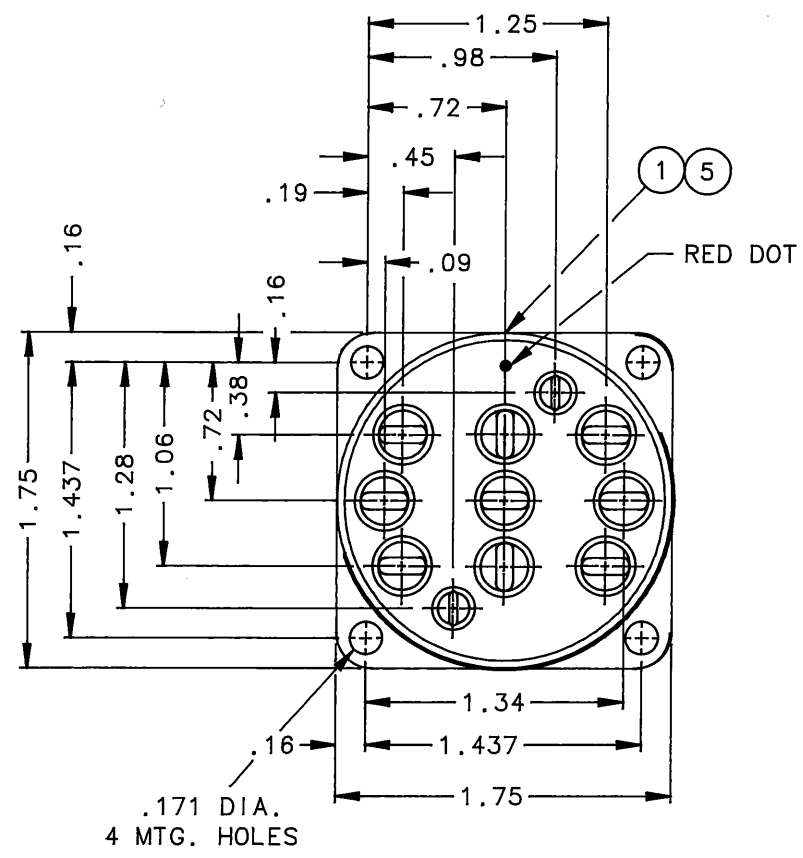
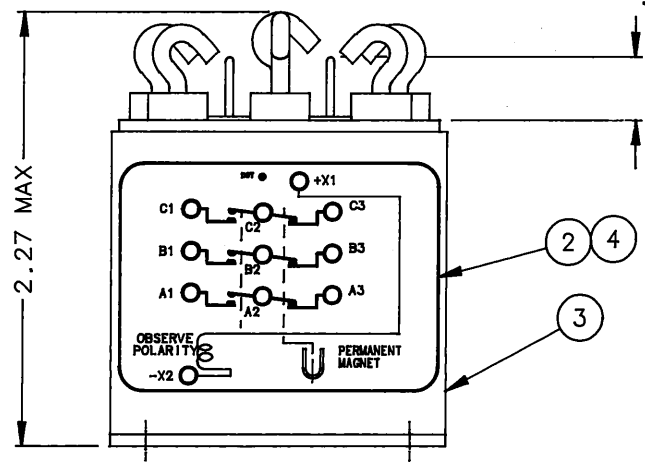
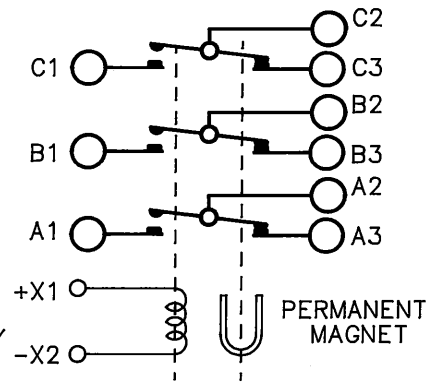


REV. NO.		DESCRIPTION	DATE	APPROVED
P	22814	16043-044 WAS 16043-001	2/19/93	WS
R	23296	REDRAWN TO CAEDS; ADD PARTS LIST	4/13/93	WS



CONSTRUCTION HERMETICALLY SEALED
 NOMINAL VOLTAGE 115V. 400 CPS
 CONTACT RATING (RES) 25A 115V. 400 CYCLES
 (RES) 10A., 28 VDC
 (IND) 15A., 115V, 400 CPS
 COIL RATING 28VDC
 PICKUP 18V MAX HOT
 DROPOUT 7V MAX HOT
 RATED DUTY CONTINUOUS
 VIBRATION MIL-E-5272 PROC 1
 MAX. WEIGHT 6-1/2 OZ.



FIND NO	QTY REQD	PART OR IDENTIFYING NO	NOMENCLATURE OR DESCRIPTION	DRAWING OR SPECIFICATION	MATERIAL OR NOTE
5	1	39529-023	OVERLAY		
4	1	39529-007	OVERLAY		
3	1	20473-010	CONTACTOR ASSY-PRIMARY		
2	1	19483-001	WIRING DIAGRAM		
1	1	16043-044	NAMEPLATE		

UNLESS OTHERWISE SPECIFIED DIMENSIONS ARE IN INCHES TOLERANCES ON			HARTMAN ELECTRICAL MANUFACTURING MANSFIELD, OHIO		
2 PL DEC.	3 PL DEC.	ANGLES	CONTACTOR - 3PDT HERMETICALLY SEALED 093		
* .03	* .010	* 1°	DR BY	LCB	5/25/93
MATERIAL			CHK BY	WS	5-26-93
			ENGR	FA	6-3-93
			MFG	DA	6-3-93
			RELEASE		
			CONTR. NO.		
			GOVT APPVL		
SIZE	CODE IDENT	DWG NO.			
C	74063	DH-14B			
SCALE	NONE		SHEET		