



SL-156

TE Internal #: 647402-7

Housing, Receptacle, Wire-to-Board, 7 Position, .156 in [3.96 mm]
Centerline, Crimp, 1 Row, Natural, Mating Retention, Wire & Cable,
SL-156

[View on TE.com >](#)

Connectors > PCB Connectors > Wire-to-Board Connectors > Wire-to-Board Connector Assemblies & Housings >

Receptacle Housing: Wire-to-Board, with Mating Alignment, SL156



Connector Product Type: **Housing**

Connector & Housing Type: **Receptacle**

Connector System: **Wire-to-Board**

Number of Positions: **7**

Centerline (Pitch): **3.96 mm [.156 in]**

[All Receptacle Housing: Wire-to-Board, with Mating Alignment, SL156 \(107\)](#)

Features

Product Type Features

| | |
|-----------------------------------|---------------|
| Connector Product Type | Housing |
| Connector & Housing Type | Receptacle |
| Connector System | Wire-to-Board |
| Sealable | No |
| Connector & Contact Terminates To | Wire & Cable |

Configuration Features

| | |
|---------------------|---|
| Number of Positions | 7 |
| Number of Rows | 1 |

Electrical Characteristics

| | |
|-------------------|---------|
| Operating Voltage | 250 VAC |
|-------------------|---------|

Body Features

| | |
|--|--|
| | |
|--|--|



| | |
|-----------------------|---------|
| Primary Product Color | Natural |
|-----------------------|---------|

Contact Features

| | |
|----------------------------------|---------|
| Contact Retention Within Housing | Without |
| Contact Layout | Inline |
| Contact Type | Socket |
| Contact Current Rating (Max) | 6.5 A |

Termination Features

| | |
|------------------------------------|-------|
| Termination Method to Wire & Cable | Crimp |
|------------------------------------|-------|

Mechanical Attachment

| | |
|-------------------------|----------------------------|
| Strain Relief | Without |
| PCB Mount Alignment | Without |
| Panel Mount Feature | Without |
| PCB Mount Retention | Without |
| Mating Retention Type | Locking Ramp |
| Mating Retention | With |
| Connector Mounting Type | Cable Mount (Free-Hanging) |

Housing Features

| | |
|-----------------------------|-------------------|
| Housing Entry Configuration | Left End Open |
| Housing Material | Nylon - GF |
| Centerline (Pitch) | 3.96 mm [.156 in] |

Dimensions

| | |
|------------------|------------------------------|
| | .97 in |
| Connector Height | 6.35 mm |
| Wire Size | .0509 - .823 mm ² |

Usage Conditions

| | |
|-----------------------------|-----------------------------|
| Operating Temperature Range | -55 - 105 °C [-67 - 221 °F] |
|-----------------------------|-----------------------------|

Operation/Application

| | |
|---------------------|----------------|
| Circuit Application | Power & Signal |
|---------------------|----------------|

Industry Standards

| | |
|---|----------|
| Compatible With Agency/Standards Products | CSA, UL |
| UL Flammability Rating | UL 94V-0 |

Packaging Features



| | |
|--------------------|---------|
| Packaging Quantity | 1 |
| Packaging Method | Package |

Product Compliance

[For compliance documentation, visit the product page on TE.com>](#)

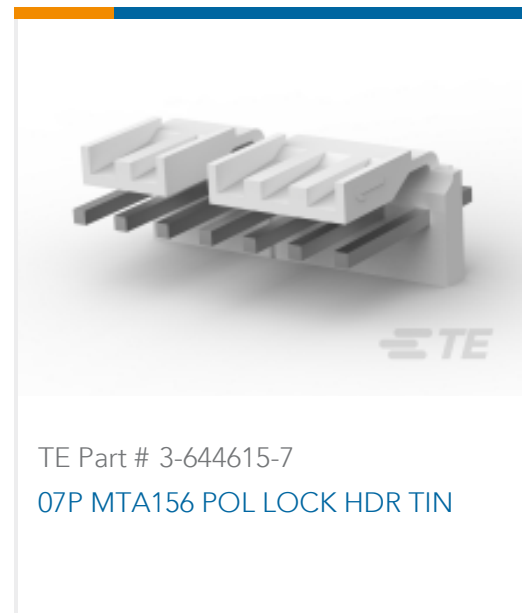
| | |
|---|---|
| EU RoHS Directive 2011/65/EU | Compliant |
| EU ELV Directive 2000/53/EC | Compliant |
| China RoHS 2 Directive MIIT Order No 32, 2016 | No Restricted Materials Above Threshold |
| EU REACH Regulation (EC) No. 1907/2006 | Current ECHA Candidate List: JAN 2024 (240) Candidate List Declared Against: JAN 2024 (240) Does not contain REACH SVHC |
| Halogen Content | Low Halogen - Br, Cl, F, I < 900 ppm per homogenous material. Also BFR/CFR/PVC Free |
| Solder Process Capability | Not applicable for solder process capability |

Product Compliance Disclaimer

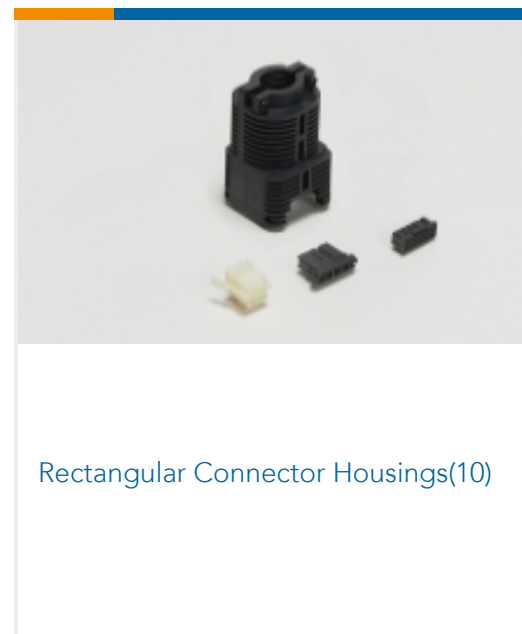
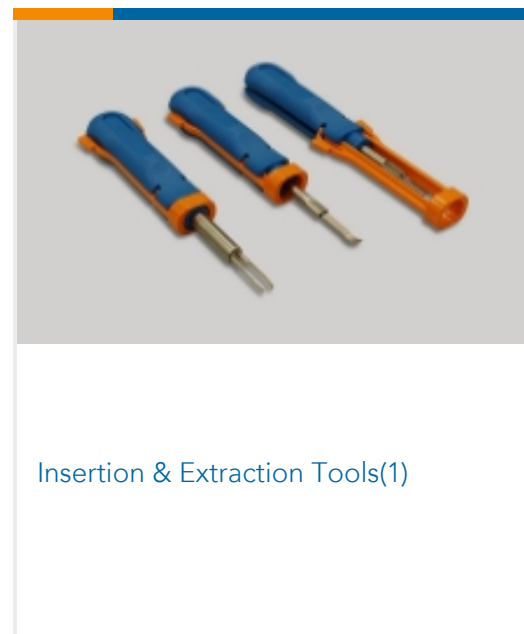
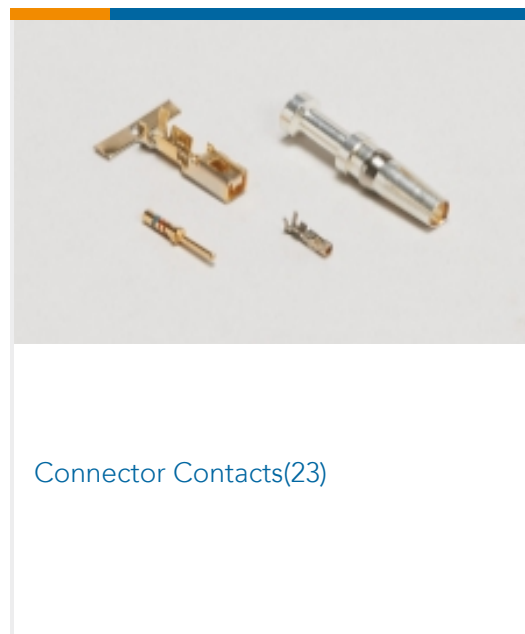
This information is provided based on reasonable inquiry of our suppliers and represents our current actual knowledge based on the information they provided. This information is subject to change. The part numbers that TE has identified as EU RoHS compliant have a maximum concentration of 0.1% by weight in homogenous materials for lead, hexavalent chromium, mercury, PBB, PBDE, DBP, BBP, DEHP, DIBP, and 0.01% for cadmium, or qualify for an exemption to these limits as defined in the Annexes of Directive 2011/65/EU (RoHS2). Finished electrical and electronic equipment products will be CE marked as required by Directive 2011/65/EU. Components may not be CE marked. Additionally, the part numbers that TE has identified as EU ELV compliant have a maximum concentration of 0.1% by weight in homogenous materials for lead, hexavalent chromium, and mercury, and 0.01% for cadmium, or qualify for an exemption to these limits as defined in the Annexes of Directive 2000/53/EC (ELV). Regarding the REACH Regulation, the information TE provides on SVHC in articles for this part number is based on the latest European Chemicals Agency (ECHA) 'Guidance on requirements for substances in articles' posted at this URL: <https://echa.europa.eu/guidance-documents/guidance-on-reach>

Compatible Parts

| | | | |
|---|--|---|--|
|  <p>TE Part # 640383-7 07P MTA156 HDR ASSY STR SQ SN</p> |  <p>TE Part # 640388-7 07P MTA156 HDR ASSY RN STR F/L</p> |  <p>TE Part # 643464-5 07P MTA156 HDR ASSY STR W/O#6</p> |  <p>TE Part # 644752-7 07P MTA156 HDR ASSY SQ STR F/L</p> |
|---|--|---|--|



Also in the Series | **SL-156**





Wire-to-Board Connector Assemblies
& Housings(140)

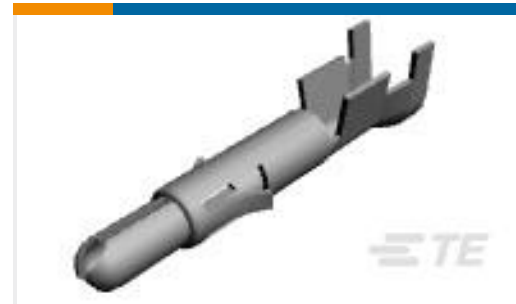
Customers Also Bought



TE Part # 320552
PIDG R 22-16 COMM 22-18 MIL 10



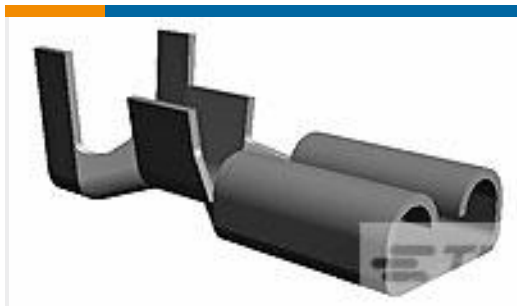
TE Part # 647402-3
Receptacle Housing: Wire-to-Board,
with Mating Alignment, SL156



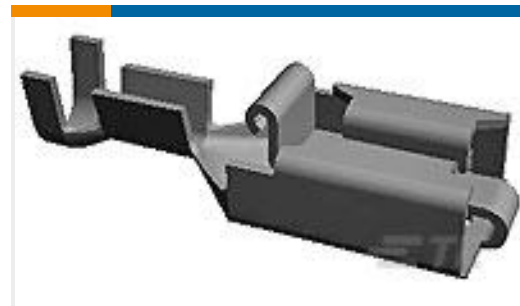
TE Part # 350687-7
UMNL SPLIT PIN AUNI/BR



TE Part # 61202-1
250 FASTON REC 26-22 AWG BR



TE Part # 63850-1
187 FASTON REC 20-16 AWG NPST



TE Part # 154718-6
250 PL MKI REC. 18-14AWG PTPB



TE Part # 63130-3
SPLICE REC. 1500-5000 .020 TPBR



TE Part # 175020-1
250 PL EX REC. 22-18AWG PTBR



TE Part # 160101-9
RING TONGUE 20-16 AWG 0.0253
NPBR

Documents

Product Drawings

[07P SL156 HSG W/RMP&TABS,OVSZ](#)

English

CAD Files

[Customer View Model](#)

[ENG_CVM_CVM_647402-7_C.2d_dxf.zip](#)

English

[3D PDF](#)



3D

Customer View Model

[ENG_CVM_CVM_647402-7_C.3d_igs.zip](#)

English

Customer View Model

[ENG_CVM_CVM_647402-7_C.3d_stp.zip](#)

English

By downloading the CAD file I accept and agree to the [Terms and Conditions](#) of use.

Product Specifications

[Application Specification](#)

English

Agency Approvals

[UL Report](#)

English