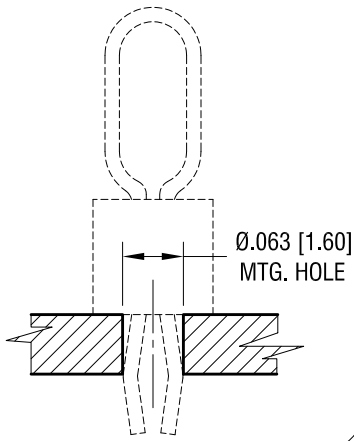
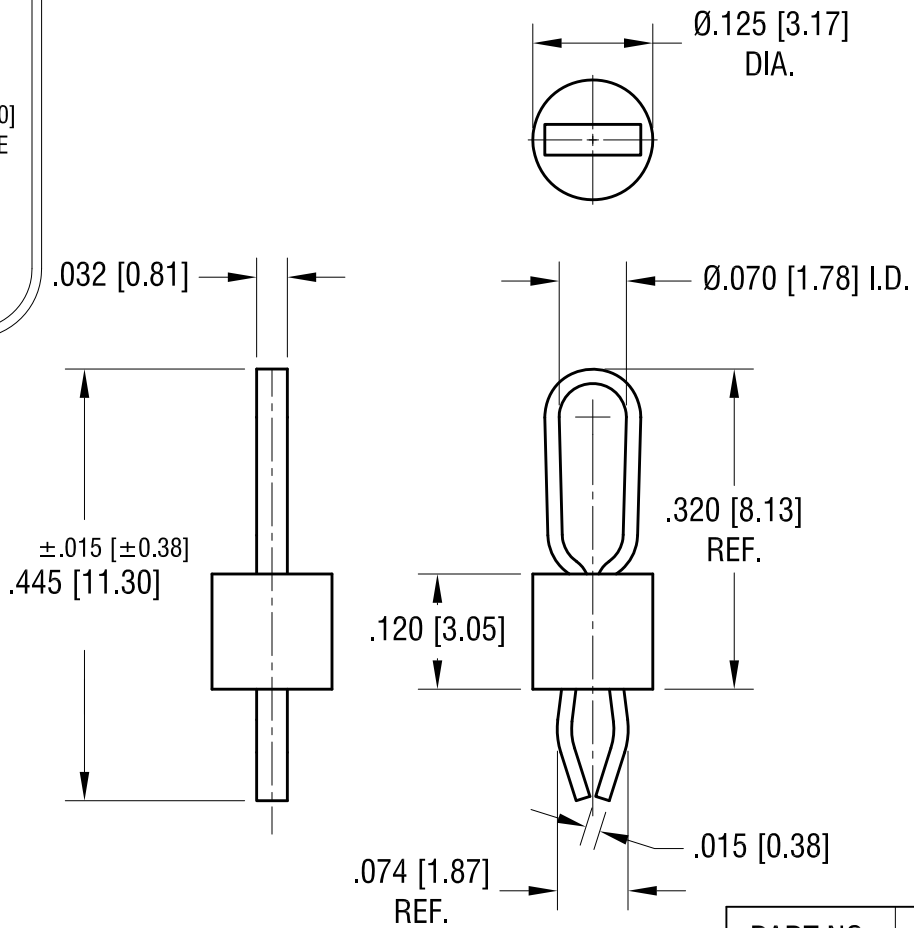


THIS DOCUMENT IS THE PROPERTY OF
KEYSTONE ELECTRONICS CORP. AND
SHALL NOT BE REPRODUCED, DISTRIBUTED
OR USED AS A BASIS FOR MANUFACTURE
WITHOUT PRIOR WRITTEN PERMISSION
FROM KEYSTONE ELECTRONICS CORP.

MTG. DETAIL



ACTUAL SIZE



NOTES:

- 1. TERMINAL:
MAT'L - PHOSPHOR BRONZE WIRE
- BASE:
MAT'L - HEAT RESISTANT NYLON 46

PART NO.	BASE COLOR
5280	RED
5281	BLACK
5282	WHITE
5283	ORANGE
5284	YELLOW

KEYSTONE ELECTRONICS CORP.
www.keyelco.com • NEW HYDE PARK, NY 11040 • Tel (516) 328-7500

PART NAME
PC TEST POINT - MULTIPURPOSE

MATERIAL
AS NOTED

FINISH MATTE TIN PLATE	DRN BY NT	DATE 11.06.19
	APP'D RH	SCALE 5X

TOLERANCES	INCH [MM]	CODE
DECIMAL	± .005 [± 0.13]	C
ANGULAR	± 1°	
UNLESS OTHERWISE SPECIFIED		

DWG NO.
5280 - 5284

DATE	DESCRIPTION	REV.