

OVERLORD

Version 0.99
March 2015
DreamMaker Team

QUICK START GUIDE

1

THANKS FOR CHOOSING DREAMMAKER OVERLORD !

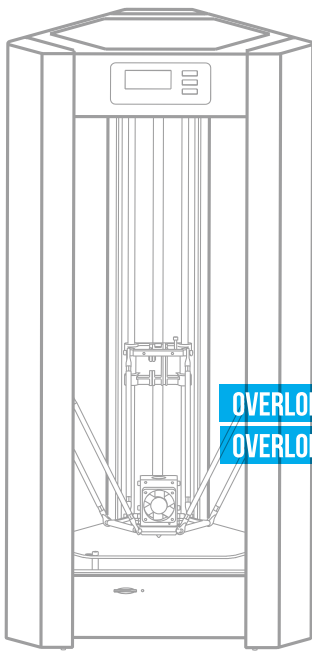
Before unpacking your OverLord and start creating thousands of amazing things, let's take a glance at this manual. It will help you to master some basics to get OverLord working properly. Don't worry it will be very easy.



CAUTION: The 3D Printer in operation will generate high temperature in some parts. Please keep away from dangerous parts of 3D Printer to avoid injury.

CAUTION: Do not leave the 3D Printer unattended while in operation. Cut power to prevent injury when necessary.

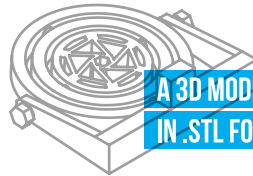
PREPARATION:



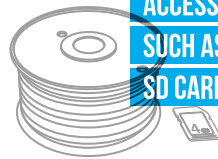
**OVERLORD/
OVERLORD PRO**



**SOFTWARE:
CURA (IN YOUR SD CARD)**



**A 3D MODEL FILE
IN .STL FORMAT**

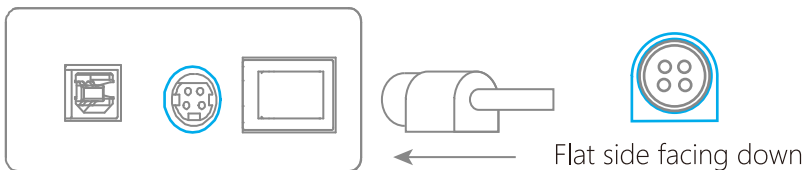


**ACCESSORIES
SUCH AS FILAMENT,
SD CARD ETC.**

2

STARTUP

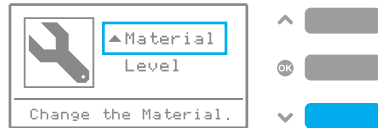
First plug in the power adapter, and then turn the power switch on. When you run OverLord in the first time, the Startup will help you set up your printer and start you the first print. This Startup will only run once, unless you choose to reset Default Settings.



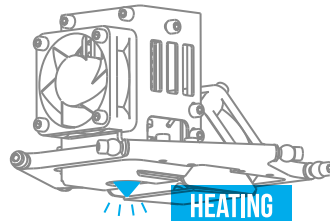
3

FILAMENT PREPARATION

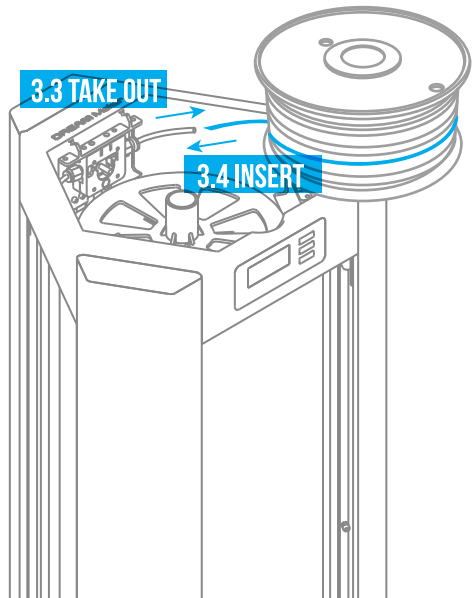
3.1 Press “↓” button, select “Material” and hit “OK” button;



3.2 The hotend will then be heated and filament will be reversed (if any filament is in);

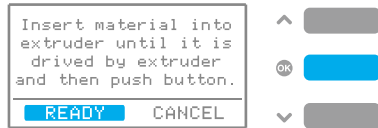


3.3 Take out the spool of filament (skip this step if there is no filament inside);



3.4 Insert a new spool of filament into the extruder until it is pulled in automatically;

3.5 Hit **“OK”** button and the filament will be pulled into the hotend;



3.6 Hit **“OK”** button when you see molten material coming out of the hotend.



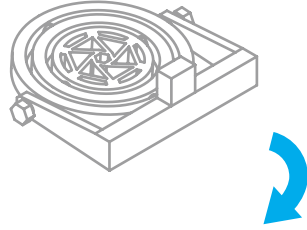
4

PRINTING

You can find processed test file in .gcode format in the enclosed SD card. Start from Step 4.5 if you want to print the test file.

STEPS:

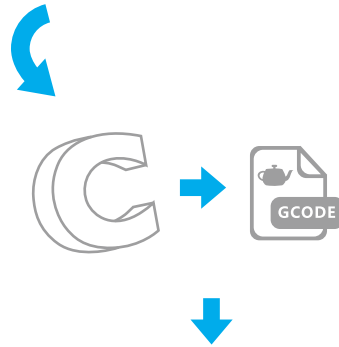
4.1 Create or download a 3D model;



4.2 Save the model in **.stl/.obj format**;



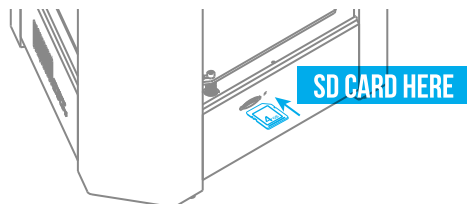
4.3 Drag the .stl/.obj into Cura, which helps transferring the model into **.gcode** file;
---Please see detail Cura settings in OverLord User Manual



4.4 Save the transferred .gcode into SD Card;

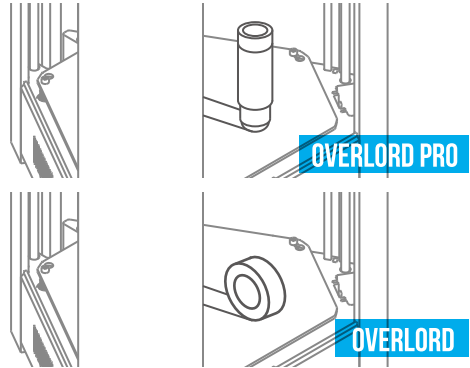


4.5 Insert SD Card into OverLord's SD card slot



STEPS:

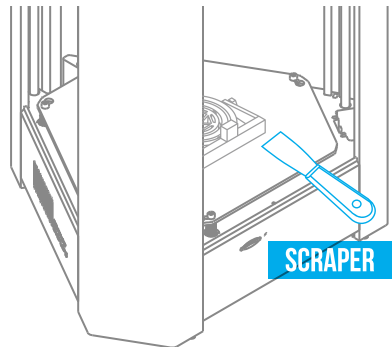
4.6 For OverLord Pro, paint **glue stick** on the build plate and ensure there is one layer on the surface before printing; For OverLord (with acrylic bed), stick blue tape on build plate instead.



4.7 Choose **“Print”** in the menu to start;



4.8 After finishing the printing, take the print off build plate with a scraper.



5

WHEN IS CALIBRATION /LEVELING NEEDED ?

When:

--The first time you use OverLord.

--After factory reset.

--When you feel there is problem for the printing object to adhere on build plate, even you have used enough glue.

--When the hotend his build plate constantly during the first layer printing.

How:

Choose **"Level"** in the printer menu and then choose **"Auto"** .



Website: www.dreammaker.cc
Email: support@dreammaker.cc
Facebook: DreamMaker_3D
Tel: +86-021-61001656
Address: Room 615, Building Y1, #112 Liangxiu Rd.
Shanghai, China

