

PSR-SCP- 24DC/TS/SDI8/SDIO4 - Extension module



2986038

<https://www.phoenixcontact.com/us/products/2986038>

Please be informed that the data shown in this PDF document is generated from our online catalog. Please find the complete data in the user documentation. Our general terms of use for downloads are valid.



PSR-TRISAFE-M input/output extension module with 8 safe inputs and 4 safe, configurable channels (choice of safe inputs or outputs), 2 clock/alarm outputs, up to SIL 3, Cat. 4/PL e, SIL 3, EN 50156, plug-in screw connection terminal blocks

Your advantages

- Flexible extension with safe inputs and outputs
- Up to Cat. 4/PL e in accordance with ISO 13849-1, SIL 3 in accordance with EN IEC 62061, SIL 3 in accordance with IEC 61508
- EN 50156
- 2 alarm outputs or 2 clock outputs (that can be configured using SAFECONF)
- Quick startup thanks to comprehensive simulation and test functions
- Easy graphical configuration instead of complex programming
- Multifunctional use for a wide range of safety functions
- Including PSR-TBUS connector (DIN rail connector) for adapting to the PSR-TRISAFE-M master module
- 4 safe digital outputs or 4 additional digital inputs (that can be configured using SAFECONF)
- 8 safe digital inputs
- Narrow 22.5 mm housing

Commercial data

Item number	2986038
Packing unit	1 pc
Minimum order quantity	1 pc
Sales key	DN02
Product key	DNA341
Catalog page	Page 262 (C-6-2019)
GTIN	4046356451871
Weight per piece (including packing)	183 g
Weight per piece (excluding packing)	130 g
Customs tariff number	85364900
Country of origin	DE

Technical data

Notes

Note on application	Only for industrial use
---------------------	-------------------------

Product properties

Product type	Safety device
Application	PSR-TRISAFE-M extension module

Insulation characteristics: Air clearances and creepage distances between the power circuits

Overvoltage category	III
Pollution degree	2

Times

Response time	max. 30 ms (plus response time of PSR-TS-SDOR4)
Recovery time	< 10 s

Electrical properties

Maximum power dissipation for nominal condition	2323 mW (at f = 8, g = 2, h = 4, $I_{\text{clock}} = 50 \text{ mA}$, $I_{\text{OUT/GND}} = 500 \text{ mA}$)
Nominal operating mode	100% operating factor
Interfaces	DIN rail TBUS for connection to the master module, supplied as standard

Supply

Rated control circuit supply voltage U_S	18 V DC ... 30 V DC (Incl. all tolerances, incl. residual ripple)
Rated control circuit supply voltage U_S	24 V DC (Electrical supply via PSR-TBUS)
Rated control supply current I_S	Electrical supply via PSR-TBUS
	typ. 51.6 mA (No inputs or outputs set, A1/A2 open)
	typ. 66 mA (All inputs and safe outputs set)
Filter time	typ. 20 ms (Load-dependent, in the event of voltage dips at U_S)
Protective circuit	Yes, within the scope of the operating voltage limits
Status display	1 x LED (green) , 1 x LED (red)

Input data

Digital

Description of the input	Digital input
Number of inputs	12 (Of which 4 can be configured as input or output)
Input voltage range "0" signal	0 V DC ... 5 V DC (for safe Off)
Input voltage range "1" signal	11 V DC ... 30 V DC
Cable length	max. 2000 m
Status display	12 LEDs (green)
Current consumption	typ. 4 mA

Output data

PSR-SCP- 24DC/TS/SDI8/SDIO4 - Extension module



2986038

<https://www.phoenixcontact.com/us/products/2986038>

Digital

Number of outputs	4 (If the configurable inputs/outputs are used as outputs)
Note on protection circuit	Yes, within the scope of the operating voltage limits
Short-circuit protection	Yes
Max. capacitive load	max. 1 μ F (Electronic components)
Max. inductive load	See "Protective circuit"
Nominal output voltage	24 V DC (Supply via A1/A2)
Nominal output voltage range	18 V DC ... 30 V DC (Incl. all tolerances, incl. residual ripple)
Status display	4 x LED (green)
Test pulses	< 1 ms

Clock/signal

Output description	Digital
Number of outputs	2
Voltage	24 V DC (Supply via A1/A2)
Limiting continuous current	50 mA
Test pulses	~ 1 ms
Short-circuit protection	Yes

Connection data

Connection technology

pluggable	yes
-----------	-----

Conductor connection

Connection method	Screw connection
Conductor cross section rigid	0.2 mm ² ... 2.5 mm ²
Conductor cross section flexible	0.2 mm ² ... 2.5 mm ²
Conductor cross-section AWG	24 ... 12
Stripping length	7 mm
Screw thread	M3
Tightening torque	0.5 Nm ... 0.6 Nm 5 lb _f -in. ... 7 lb _f -in.

Dimensions

Width	22.5 mm
Height	99 mm
Depth	114.5 mm

Material specifications

Color	yellow
Housing material	Polyamide PA non-reinforced

Characteristics

Safety data

2986038

<https://www.phoenixcontact.com/us/products/2986038>

Stop category	0
Safety data: EN ISO 13849	
Category	2 (1-channel parameterization)
	4 (2-channel parameterization)
Performance level (PL)	d (1-channel parameterization)
	e (2-channel parameterization)
Safety data: EN 50156	
Safety Integrity Level (SIL)	max. 3 (Reference IEC 61508)
Safety data: IEC 61508 - High demand	
Safety Integrity Level (SIL)	2 (1-channel parameterization)
	3 (2-channel parameterization)
Safety data: IEC 61508 - Low demand	
Safety Integrity Level (SIL)	2 (1-channel parameterization)
	3 (2-channel parameterization)
Safety data: EN IEC 62061	
Safety Integrity Level (SIL)	2 (1-channel parameterization)
	3 (2-channel parameterization)

Environmental and real-life conditions

Ambient conditions

Degree of protection	IP20
Min. degree of protection of inst. location	IP54
Ambient temperature (operation)	-20 °C ... 55 °C
Ambient temperature (storage/transport)	-20 °C ... 70 °C
Maximum altitude	max. 2000 m (See Appendix "Using PSR-TRISAFE modules at altitudes greater than 2000 m above sea level")
Max. permissible humidity (storage/transport)	75 % (On average, 85 % occasionally)
Max. permissible relative humidity (operation)	75 % (On average, 85 % occasionally)
Shock (operation)	10g ($\Delta t = 11$ ms, three shocks in each space direction)
	10g ($\Delta t = 16$ ms, continuous shock, 1000 shocks in each space direction)
Vibration (operation)	2g
Air pressure (operation)	70 kPa ... 108 kPa (up to 3000 m above sea level)
Air pressure (storage/transport)	66 kPa ... 108 kPa (up to 3500 m above sea level)

Standards and regulations

Air clearances and creepage distances between the power circuits

Standards/regulations	DIN EN 50178
-----------------------	--------------

Mounting

Mounting type	DIN rail mounting
---------------	-------------------

PSR-SCP- 24DC/TS/SDI8/SDIO4 - Extension module



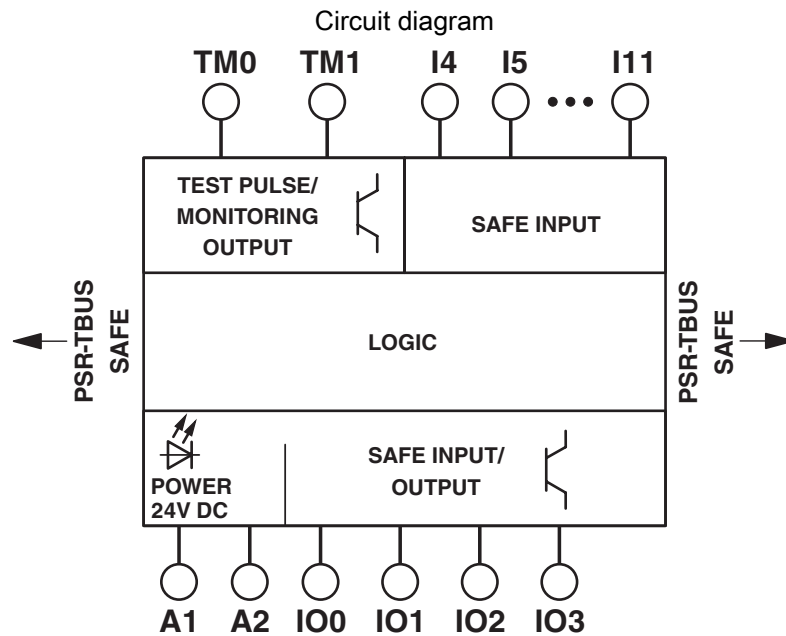
2986038

<https://www.phoenixcontact.com/us/products/2986038>

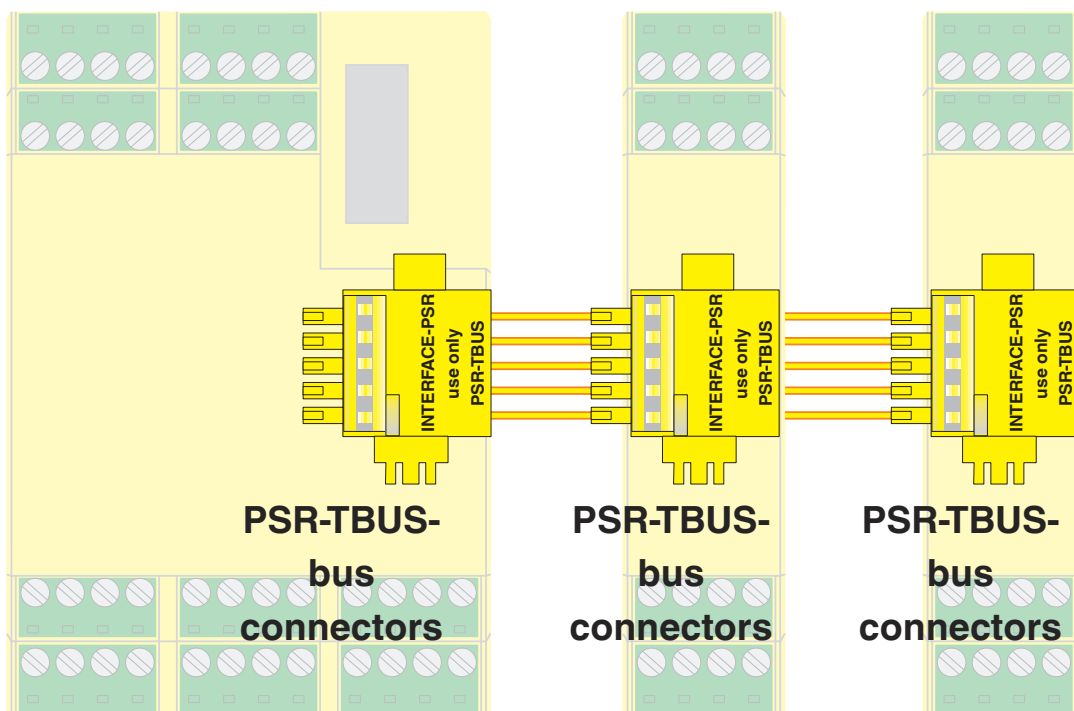
Mounting position

On horizontal DIN rail

Drawings



Connection diagram




PSR-TBUS DIN rail connectors are used for cross-wiring between the modules.

2986038

<https://www.phoenixcontact.com/us/products/2986038>

Approvals

 To download certificates, visit the product detail page: <https://www.phoenixcontact.com/us/products/2986038>



UL Listed

Approval ID: FILE E 140324



cUL Listed

Approval ID: FILE E 140324

cULus Listed

2986038

<https://www.phoenixcontact.com/us/products/2986038>

Classifications

ECLASS

ECLASS-11.0	27371819
ECLASS-13.0	27371819
ECLASS-12.0	27371819

ETIM

ETIM 9.0	EC001449
----------	----------

UNSPSC

UNSPSC 21.0	39122200
-------------	----------

2986038

<https://www.phoenixcontact.com/us/products/2986038>

Environmental product compliance

EU RoHS

Fulfills EU RoHS substance requirements	Yes
Exemption	7(a), 7(c)-I

China RoHS

Environment friendly use period (EFUP)	EFUP-50
	An article-related China RoHS declaration table can be found in the download area for the respective article under "Manufacturer declaration". For all articles with EFUP-E, no China RoHS declaration table issued and required.

EU REACH SVHC

REACH candidate substance (CAS No.)	Lead(CAS: 7439-92-1)
	2,2',6,6'-tetrabromo-4,4'-isopropylidenediphenol(CAS: 79-94-7)

PSR-SCP- 24DC/TS/SDI8/SDIO4 - Extension module



2986038

<https://www.phoenixcontact.com/us/products/2986038>

Accessories

PSR-TRISAFE STARTER KIT - Starter kit

2986300

<https://www.phoenixcontact.com/us/products/2986300>



STARTER kit for the PSR-TRISAFE safety module consisting of: PSR-TRISAFE demoboard (with inputs & outputs), SAFECONF CD, Quick Start Guide, USB cable (3m) , voltage supply with international connector adapters and package inserts.

IFS-CONFSTICK - Memory block

2986122

<https://www.phoenixcontact.com/us/products/2986122>



Multi-functional memory block for the INTERFACE systemf for easy storage and backup of the configuration.

PSR-SCP- 24DC/TS/SDI8/SDIO4 - Extension module



2986038

<https://www.phoenixcontact.com/us/products/2986038>

CABLE-USB/MINI-USB-3,0M - USB cable

2986135

<https://www.phoenixcontact.com/us/products/2986135>

USB connecting cable: USB plug type A to USB plug type Mini-B; length: 3 m



SAFECONF - Configuration package

2986119

<https://www.phoenixcontact.com/us/products/2986119>

Configuration software for SafetyBridge Technology and PSR-TRISAFE modules
(available to download free of charge)



PSR-SCP- 24DC/TS/SDI8/SDIO4 - Extension module



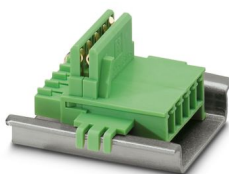
2986038

<https://www.phoenixcontact.com/us/products/2986038>

ME 22,5 TBUS 1,5/ 5-ST-3,81 GN - DIN rail bus connectors

2707437

<https://www.phoenixcontact.com/us/products/2707437>



DIN rail connector, color: green, nominal current: 8 A (parallel contacts), rated voltage (III/2): 125 V, number of positions: 5, product range: TBUS5-22,5..., pitch: 3.81 mm, mounting: DIN rail mounting, locking: without, mounting: without, type of packaging: packed in cardboard, Item with gold-plated contacts, bus connectors for connecting with electronics housings, 5 parallel contacts

PSR-TBUS - DIN rail bus connectors

2890425

<https://www.phoenixcontact.com/us/products/2890425>



DIN rail connector for safety switching devices, for supplying/controlling/monitoring (depending on the module)

PSR-SCP- 24DC/TS/SDI8/SDIO4 - Extension module



2986038

<https://www.phoenixcontact.com/us/products/2986038>

PSR-FTB/20/86 - Filter terminal block

2904477

<https://www.phoenixcontact.com/us/products/2904477>



Terminal block for filtering test pulses from safe semiconductor outputs with adjustable filter values (20 μ F/86 μ F), as well as for EMC filtering of 24 V signals up to an amperage of 2 A.

PSR-FTB/1.5/11.5 - Filter terminal block

2904476

<https://www.phoenixcontact.com/us/products/2904476>



Terminal block for filtering test pulses from safe semiconductor outputs with adjustable filter values (1.5 μ F/11.5 μ F), as well as for EMC filtering of 24 V signals up to an amperage of 2 A.

PSR-SCP- 24DC/TS/SDI8/SDIO4 - Extension module



2986038

<https://www.phoenixcontact.com/us/products/2986038>

COPYSTATION - IFS - Copy and delete station

2901985

<https://www.phoenixcontact.com/us/products/2901985>



Copy and delete station for IFS-CONFSTICK memory modules for copying data from a master stick to up to four slave sticks and for deleting data on one or more slave sticks, connection via USB/mini USB cable.

EM-CAN-GATEWAY-IFS - Data interface

2901504

<https://www.phoenixcontact.com/us/products/2901504>



Gateway for the connection of up to 32 INTERFACE system devices to a higher-level controller via CANopen®. The INTERFACE system devices are connected to the Gateway via DIN rail connectors, the DIN rail connectors are provided.

PSR-SCP- 24DC/TS/SDI8/SDIO4 - Extension module



2986038

<https://www.phoenixcontact.com/us/products/2986038>

EM-MODBUS-GATEWAY-IFS - Data interface

2901528

<https://www.phoenixcontact.com/us/products/2901528>



Gateway for the connection of up to 32 INTERFACE system devices via Modbus/TCP to a higher-level controller. The INTERFACE system devices are connected to the Gateway via DIN rail connectors, the DIN rail connectors are provided.

EM-ETH-GATEWAY-IFS - Data interface

2901988

<https://www.phoenixcontact.com/us/products/2901988>



Gateway for the connection of up to 32 INTERFACE system devices to a higher-level controller via EtherNet/IP™. The INTERFACE system devices are connected to the Gateway via DIN rail connectors, the DIN rail connectors are provided.

PSR-SCP- 24DC/TS/SDI8/SDIO4 - Extension module



2986038

<https://www.phoenixcontact.com/us/products/2986038>

EM-PNET-GATEWAY-IFS - Data interface

2904472

<https://www.phoenixcontact.com/us/products/2904472>



Gateway for the connection of up to 32 INTERFACE system devices via PROFINET to a higher-level controller. The INTERFACE system devices are connected to the Gateway via DIN rail connectors, the DIN rail connectors are provided.

EM-PB-GATEWAY-IFS - Data interface

2297620

<https://www.phoenixcontact.com/us/products/2297620>



Gateway for the connection of up to 32 INTERFACE system devices to a higher-level controller via PROFIBUS DP. The INTERFACE system devices are connected to the Gateway via DIN rail connectors, the DIN rail connectors are provided.

PSR-SCP- 24DC/TS/SDI8/SDIO4 - Extension module



2986038

<https://www.phoenixcontact.com/us/products/2986038>

PSR-TBUS - 1PCS - DIN rail bus connectors

1326060

<https://www.phoenixcontact.com/us/products/1326060>

DIN rail connector for safety switching devices, for supplying/controlling/monitoring (depending on the module)



Phoenix Contact 2024 © - all rights reserved

<https://www.phoenixcontact.com>

Phoenix Contact USA
586 Fulling Mill Road
Middletown, PA 17057, United States
(+717) 944-1300
info@phoenixcon.com