

1481S DRIP SHEILD KIT

BUL1481S
REV. B

THE HAMMOND DRIP SHIELD PROTECTS DOOR HARDWARE FROM CONTINUOUSLY FALLING WATER OR DUST. CONVERTS 1418 OR 1422 SERIES ENCLOSURES TO TYPE 2 OR 3 ENCLOSURES.

NOT SUITABLE FOR NEMA 4 ENCLOSURES

①

PLACE GASKET ON THIS SIDE

ASSEMBLY INSTRUCTIONS

- A) DRAW A LINE 13/16(.81)"(20.6MM) FROM THE FRONT EDGE OF THE ENCLOSURE. SEE DETAIL A
- B) USING THE DRIP SHIELD (PART 1) AS A TEMPLATE, MARK THE HOLE POSITIONS AND DRILL A 17/64 (OR 9/32)"/6.7MM (OR 7.1MM DIA
- C) STICK THE GASKET (PART 3) TO THE DRIP SHIELD AND PIERCE THE HOLES WITH A SHARP POINTED OBJECT.
- D) FASTEN DRIPSHIELD IN PLACE USING MACHINE SCREWS AND HEX NUTS (PARTS 4 & 5). MACHINE SCREW HEADS MUST BE OUTSIDE
- E) USING THE STAINLESS STEEL HINGE PIN (PART 2) SUPPLIED, DRIVE OUT THE STANDARD ENCLOSURE HINGE PIN.

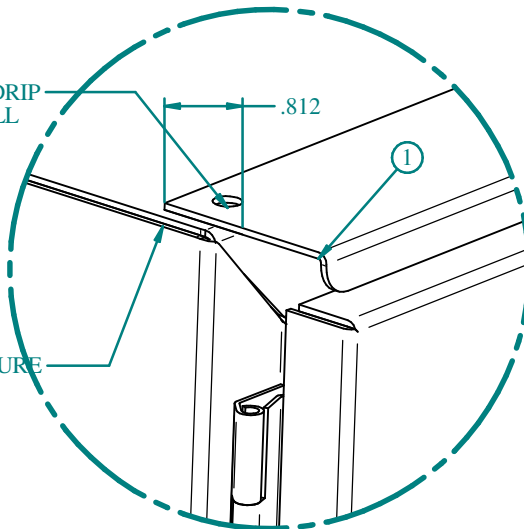
③

②

DETAIL A

USE HOLES IN DRIP SHEILD AS DRILL TEMPLATE

ENCLOSURE BODY



STANDARD SIZES :
(SEE E5 CATALOGUE FOR DETAILS)

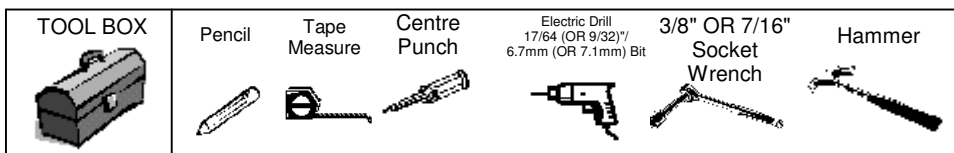
ENCLOSURE WIDTH	KIT NUMBER
12 INCHES	1481S12K
16 INCHES	1481S16K
20 INCHES	1481S20K
24 INCHES	1481S24K
30 INCHES	1481S30K
36 INCHES	1481S36K
42 INCHES	1481S42K
48 INCHES	1481S48K
60 INCHES	1481S60K
72 INCHES	1481S72K

PART #	QTY	DESCRIPTION
1	1	DRIPSHIELD
2	1	S.S. HINGE PINS
3	1	GASKET - MONARCH
4	3	SCREW 1/4-20 X 3/4 SL SS
5	3	NUT 1/4-20 HEX ZP

OTHER SIZES

- DRIP SHIELD KITS FOR 1447 SERIES ENCLOSURES OR OTHER LENGTHS TO YOUR SPECIFICATIONS
- STANDARD DRIP SHIELDS MAY BE FIELD CUT TO SATISFY ODD LENGTH REQUIREMENTS.

* FACTORY INSTALLED DRIP SHIELDS ARE WELDED IN PLACE. SUBSTITUTE F FOR K IN THE PART NUMBER E.G. 1481S12F



HAMMOND MANUFACTURING™
ENCLOSURES