

# MACX MCR-SL-NAM-2RO-SP - Isolation amplifier



2924265

<https://www.phoenixcontact.com/us/products/2924265>

Please be informed that the data shown in this PDF document is generated from our online catalog. Please find the complete data in the user documentation. Our general terms of use for downloads are valid.



NAMUR signal conditioner for operating proximity sensors and switches. The signals are transferred to the control level using 2 isolated relay outputs (N/O contact). Line fault detection (LFD), 3-way electrical isolation, SIL 2, Push-in connection.

## Your advantages

- Power supply and error indication possible via DIN rail connector
- Installation in zone 2, protection type "n" (EN 60079-15) permitted
- Up to SIL 2 in accordance with EN 61508
- Line fault detection (LFD), can be activated/deactivated, error indicated by flashing red LED with de-excitation of output relay
- 4-way electrical isolation
- Input for NAMUR proximity sensors (EN 60947-5-6), floating contacts or contacts with resistance circuit
- LED indicators for supply voltage, switching state, and malfunction in accordance with NAMUR NE 44
- 2 relay signal outputs (N/O contact); output 2 can also be used as an error signaling output
- Direction of operation can be selected (operating or closed circuit current behavior)

## Commercial data

|                                      |                     |
|--------------------------------------|---------------------|
| Item number                          | 2924265             |
| Packing unit                         | 1 pc                |
| Minimum order quantity               | 1 pc                |
| Sales key                            | C402                |
| Product key                          | CK1141              |
| Catalog page                         | Page 135 (C-5-2019) |
| GTIN                                 | 4046356491679       |
| Weight per piece (including packing) | 175.6 g             |
| Weight per piece (excluding packing) | 163.2 g             |
| Customs tariff number                | 85365019            |
| Country of origin                    | DE                  |

# MACX MCR-SL-NAM-2RO-SP - Isolation amplifier



2924265

<https://www.phoenixcontact.com/us/products/2924265>

## Technical data

### Product properties

|                 |  |
|-----------------|--|
| Product type    | Isolating switch transf.                       |
| Product family  | MACX Analog                                    |
| Application     | Digital IN                                     |
| No. of channels | 1  |
| Type            | Signal conditioners with SIL functional safety |
| Configuration   | DIP switches                                   |

### System properties

#### Functionality

|               |              |
|---------------|--------------|
| Configuration | DIP switches |
|---------------|--------------|

### Electrical properties

|   |                 |
|---|-----------------|
| Electrical isolation                          | 3-way isolation |
| Electrical isolation between input and output | yes             |

#### Electrical isolation Input/supply, DIN rail connector IEC/EN 61010-1

|                          |                      |
|--------------------------|----------------------|
| Standards/regulations    | IEC/EN 61010-1       |
| Rated insulation voltage | 300 V <sub>rms</sub> |
| Overvoltage category     | II                   |
| Pollution degree         | 2                    |
| Insulation               | Safe isolation       |

#### Electrical isolation Output 1/output 2/input, power supply, DIN rail connector IEC/EN 61010-1

|                          |                      |
|--------------------------|----------------------|
| Standards/regulations    | IEC/EN 61010-1       |
| Rated insulation voltage | 300 V <sub>rms</sub> |
| Overvoltage category     | III                  |
| Pollution degree         | 2                    |
| Insulation               | Safe isolation       |

#### Electrical isolation Output 1/output 2/input/power supply, DIN rail connector

|                      |                         |
|----------------------|-------------------------|
| Test voltage         | 2.5 kV AC (50 Hz, 60 s) |
| Overvoltage category | III                     |
| Pollution degree     | 2                       |

#### Supply

|                          |                         |
|--------------------------|-------------------------|
| Nominal supply voltage   | 24 V DC -20 % ... +25 % |
| Supply voltage range     | 19.2 V DC ... 30 V DC   |
| Max. current consumption | 30 mA (24 V DC)         |
| Power dissipation        | < 950 mW                |
| Power consumption        | < 950 mW                |

### Input data

# MACX MCR-SL-NAM-2RO-SP - Isolation amplifier



2924265

<https://www.phoenixcontact.com/us/products/2924265>

Signal: NAMUR

|   |  |
|---|--|
| Number of inputs                        | 1  |
| Available input sources                 | NAMUR proximity sensors (IEC/EN 60947-5-6) |
|   | Floating switch contacts                   |
|   | Switch contacts with resistance circuit    |
| Switching threshold "0" signal current  | < 1.2 mA (blocking)                        |
| Switching threshold "1" signal, current | > 2.1 mA (conductive)                      |
| Short-circuit current                   | 8 mA                                       |
| Switching hysteresis                    | < 0.2 mA                                   |
| Line fault detection                    | < 0.05 mA ... 0.35 mA (Line break)         |
|   | < 100 Ω ... 360 Ω (Short circuit)          |
|   | Activated /deactivated via DIP switch      |
| Non-load voltage                        | 8 V DC                                     |

## Output data

Switching: Relay

|                            |                                       |
|----------------------------|---------------------------------------|
| Contact switching type     | 2 N/O contacts                        |
| Contact material           | AgSnO <sub>2</sub> , hard gold-plated |
| Maximum switching voltage  | 250 V AC (2 A)                        |
|                            | 120 V DC (0.2 A)                      |
|                            | 30 V DC (2 A)                         |
| Maximum switching capacity | 500 VA                                |
| Recommended minimum load   | 5 V / 10 mA                           |
| Switching frequency        | ≤ 20 Hz (without load)                |

Signal

|                   |   |
|-------------------|---|
| Number of outputs | 2 |
|-------------------|---|

## Connection data

|   |   |
|---|---|
| Connection method   | Push-in connection  |
| Stripping length  | 10 mm   |
| Conductor cross section rigid   | 0.2 mm <sup>2</sup> ... 2.5 mm <sup>2</sup>   |
| Conductor cross section flexible  | 0.2 mm <sup>2</sup> ... 2.5 mm <sup>2</sup>   |
| Conductor cross section flexible (2 conductors with same cross section) | 0.25 mm <sup>2</sup> ... 0.34 mm <sup>2</sup> (TWIN ferrule without plastic sleeve) |
|   | 0.5 mm <sup>2</sup> ... 1.5 mm <sup>2</sup> (TWIN ferrule with plastic sleeve)      |
| Conductor cross section AWG   | 24 ... 14   |
|   | 24 ... 22 (TWIN ferrule without plastic sleeve)                                     |
|   | 20 ... 16 (TWIN ferrule with plastic sleeve)  |

## Ex data

|                       |        |
|-----------------------|--------|
| Ex installation (EPL) | Gc     |
|                       | Div. 2 |

## Interfaces

# MACX MCR-SL-NAM-2RO-SP - Isolation amplifier



2924265

<https://www.phoenixcontact.com/us/products/2924265>

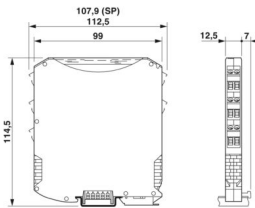
## Data

|                 |   |
|-----------------|---|
| No. of channels | 0 |
|-----------------|---|

## Signaling

|                |                              |
|----------------|------------------------------|
| Status display | Green LED (supply voltage)   |
|                | LED yellow (switching state) |
|                | Red LED (line errors)        |

## Dimensions

|                     |  |
|---------------------|--|
| Dimensional drawing |  |
| Width               | 12.5 mm  |
| Height              | 107.9 mm   |
| Depth               | 113.7 mm   |
| Depth NS 35/7,5     | 114.5 mm (Snapped onto DIN rail NS 35/7,5 in accordance with EN 60715)             |

## Material specifications

|  |                 |
|--|-----------------|
| Color                                  | gray (RAL 7042) |
| Flammability rating according to UL 94 | V0 (Housing)    |
| Housing material                       | PA 6.6-FR       |

## Characteristics

### Safety data

|                              |   |
|------------------------------|---|
| Safety Integrity Level (SIL) | 2 |
|------------------------------|---|

### Safety data: IEC 61508 - Low demand

|                              |   |
|------------------------------|---|
| Safety Integrity Level (SIL) | 2 |
|------------------------------|---|

### Safety data: IEC 61508 - Low demand

|                              |   |
|------------------------------|---|
| Safety Integrity Level (SIL) | 2 |
|------------------------------|---|

## Environmental and real-life conditions

### Ambient conditions

|  |  |
|--|--|
| Degree of protection                     | IP20 (not assessed by UL)                |
| Ambient temperature (operation)          | -40 °C ... 60 °C (Any mounting position) |
|  | -40 °C ... 70 °C (Derating)              |
| Ambient temperature (storage/transport)  | -40 °C ... 85 °C                         |
| Permissible humidity (operation)         | 10 % ... 95 % (non-condensing)           |
| Permissible humidity (storage/transport) | 5 % ... 95 % (non-condensing)            |

# MACX MCR-SL-NAM-2RO-SP - Isolation amplifier



2924265

<https://www.phoenixcontact.com/us/products/2924265>

## Altitude range ( $\leq 2000$ m)

|                                 |   |
|---------------------------------|---|
| Altitude                        | $\leq 2000$ m (The technical data refers to altitudes $\leq 2000$ m above mean sea level. For altitudes $>2000$ m above mean sea level, refer to the data sheet.) |
| Ambient temperature (operation) | -40 °C ... 60 °C<br>-40 °C ... 70 °C (Derating)   |
| Rated insulation voltage        | 253 V AC (Power supply, input / output)<br>125 V DC (Power supply, input / output)  |

## Altitude range ( $\leq 3000$ m)

|                                 |  |
|---------------------------------|--|
| Height range                    | $> 2000$ m ... 3000 m  |
| Ambient temperature (operation) | -40 °C ... 54 °C<br>-40 °C ... 63 °C (Derating)                                    |
| Rated insulation voltage        | 190 V AC (Power supply, input / output)<br>110 V DC (Power supply, input / output) |

## Altitude range ( $\leq 4000$ m)

|                                 |   |
|---------------------------------|---|
| Height range                    | $> 3000$ m ... 4000 m                           |
| Ambient temperature (operation) | -40 °C ... 48 °C<br>-40 °C ... 56 °C (Derating) |
| Rated insulation voltage        | 60 V AC/DC (Power supply, input / output)       |

## Altitude range ( $\leq 5000$ m)

|                                 |   |
|---------------------------------|---|
| Height range                    | $> 4000$ m ... 5000 m                           |
| Ambient temperature (operation) | -40 °C ... 42 °C<br>-40 °C ... 49 °C (Derating) |
| Rated insulation voltage        | 60 V AC/DC (Power supply, input / output)       |

## Approvals

### CE

|             |                |
|-------------|----------------|
| Certificate | CE-compliant   |
| Note        | and EN 61326-1 |

### ATEX

|                |                            |
|----------------|----------------------------|
| Identification | Ⓜ II 3G Ex ec nC IIC T4 Gc |
| Certificate    | IBExU 07 ATEX 1069 X       |

### UKCA Ex (UKEX)

|                |                            |
|----------------|----------------------------|
| Identification | Ⓜ II 3G Ex ec nC IIC T4 Gc |
| Certificate    | PxCIF21UKEX2865049X        |

### IECEX

|                |                    |
|----------------|--------------------|
| Identification | Ex ec nC IIC T4 Gc |
| Certificate    | IBE 08.0001 X      |

### CCC / China-Ex

|                |                    |
|----------------|--------------------|
| Identification | Ex ec nC IIC T4 Gc |
|----------------|--------------------|

# MACX MCR-SL-NAM-2RO-SP - Isolation amplifier



2924265

<https://www.phoenixcontact.com/us/products/2924265>

|             |                  |
|-------------|------------------|
| Certificate | 2021122304114179 |
|-------------|------------------|

## UL, USA/Canada

|                |                                       |
|----------------|---------------------------------------|
| Identification | UL 508 Listed                         |
|                | UL 61010 Listed                       |
|                | Class I, Div. 2, Groups A, B, C, D T4 |
|                | Class I, Zone 2, Group IIC T4         |

## Shipbuilding approval

|             |                   |
|-------------|-------------------|
| Certificate | DNV GL TAA00000AG |
|-------------|-------------------|

## Safety Integrity Level (SIL, IEC 61508)

|                |   |
|----------------|---|
| Identification | 2 |
|----------------|---|

## INMETRO

|                |                    |
|----------------|--------------------|
| Identification | Ex ec nC IIC T4 Gc |
| Certificate    | DNV 18.0114 X      |

## EAC Ex

|                |                                 |
|----------------|---------------------------------|
| Identification | Ex ec nC IIC T4 Gc              |
| Certificate    | BY/112 02.01 TP012 103.01 00078 |

## DNV GL data

|             |   |
|-------------|---|
| Temperature | B   |
| Humidity    | B   |
| Vibration   | A   |
| EMC         | B   |
| Enclosure   | Required protection according to the Rules shall be provided upon installation on board |

## EMC data

|                               |                                |
|-------------------------------|--------------------------------|
| Noise immunity                | EN 61000-6-2                   |
|                               | EN 61326                       |
| Electromagnetic compatibility | Conformance with EMC directive |
| Noise emission                | EN 61000-6-4                   |

## Standards and regulations

|                      |                 |
|----------------------|-----------------|
| Electrical isolation | 3-way isolation |
|----------------------|-----------------|

## GB Standard

|                       |             |
|-----------------------|-------------|
| Standards/regulations | GB/T 3836.1 |
|                       | GB/T 3836.3 |
|                       | GB/T 3836.8 |

## Mounting

|               |                   |
|---------------|-------------------|
| Mounting type | DIN rail mounting |
|---------------|-------------------|

# MACX MCR-SL-NAM-2RO-SP - Isolation amplifier

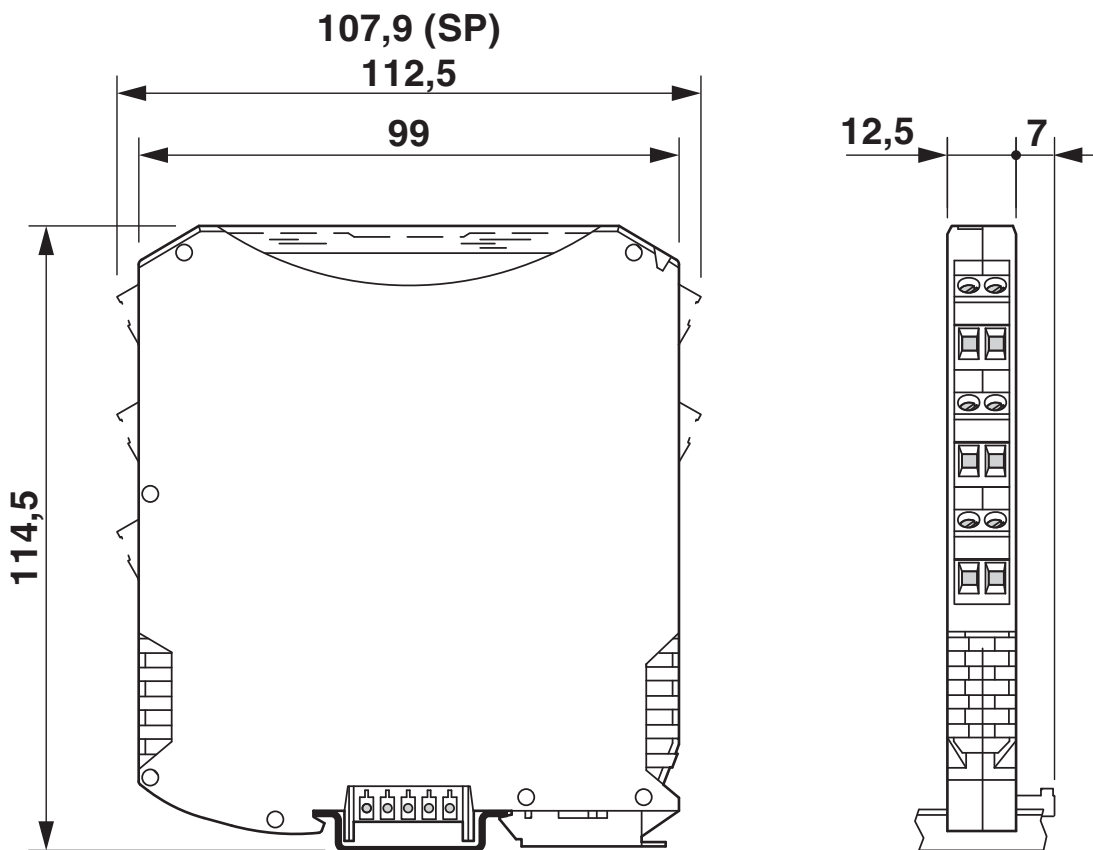


2924265

<https://www.phoenixcontact.com/us/products/2924265>

## Drawings

Dimensional drawing



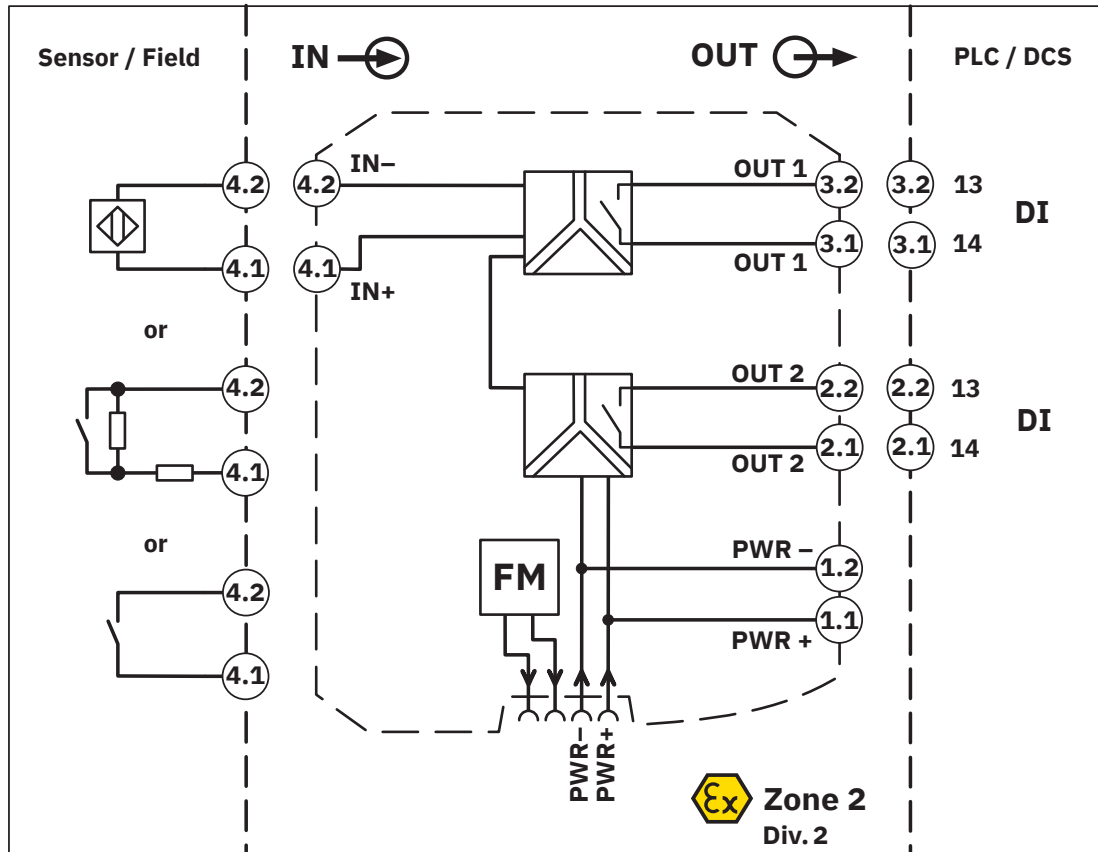
# MACX MCR-SL-NAM-2RO-SP - Isolation amplifier



2924265

<https://www.phoenixcontact.com/us/products/2924265>

Block diagram





2924265

<https://www.phoenixcontact.com/us/products/2924265>

## Approvals

To download certificates, visit the product detail page: <https://www.phoenixcontact.com/us/products/2924265>



**DNV GL**

Approval ID: TAA00000AG



**UL Listed**

Approval ID: FILE E 330267



**cUL Listed**

Approval ID: FILE E 330267

**Functional Safety**

Approval ID: 07-06-39 R005 V2R2



**EAC Ex**

Approval ID: TP012 103.01 00078



**IECEX**

Approval ID: IECEX IBE 08.0001X



**cUL Listed**

Approval ID: FILE E 199827



**UL Listed**

Approval ID: FILE E 199827



**ATEX**

Approval ID: IBExU07ATEX1069

**INMETRO**

Approval ID: DNV 18.0114 X



**IECEX**

Approval ID: IECEX IBE 08.0001X

# MACX MCR-SL-NAM-2RO-SP - Isolation amplifier



2924265

<https://www.phoenixcontact.com/us/products/2924265>



**CCC**

Approval ID: 2021122304114179

**cULus Listed**

**cULus Listed**

# MACX MCR-SL-NAM-2RO-SP - Isolation amplifier



2924265

<https://www.phoenixcontact.com/us/products/2924265>

## Classifications

### ECLASS

|             |          |
|-------------|----------|
| ECLASS-11.0 | 27210121 |
| ECLASS-12.0 | 27210121 |
| ECLASS-13.0 | 27210121 |

### ETIM

|          |          |
|----------|----------|
| ETIM 9.0 | EC001485 |
|----------|----------|

### UNSPSC

|             |          |
|-------------|----------|
| UNSPSC 21.0 | 39121000 |
|-------------|----------|

2924265

<https://www.phoenixcontact.com/us/products/2924265>

## Environmental product compliance

### EU RoHS

|   |              |
|---|--------------|
| Fulfills EU RoHS substance requirements | Yes          |
| Exemption                               | 7(a), 7(c)-I |

### China RoHS

|  |   |
|--|---|
| Environment friendly use period (EFUP) | EFUP-50   |
|  | An article-related China RoHS declaration table can be found in the download area for the respective article under "Manufacturer declaration". For all articles with EFUP-E, no China RoHS declaration table issued and required. |

### EU REACH SVHC

|                                     |  |
|-------------------------------------|--|
| REACH candidate substance (CAS No.) | Lead(CAS: 7439-92-1)   |
|                                     | 2,2',6,6'-tetrabromo-4,4'-isopropylidenediphenol(CAS: 79-94-7) |
| SCIP                                | a3d1d659-036b-4066-9571-d96e65ea95c7                           |

# MACX MCR-SL-NAM-2RO-SP - Isolation amplifier



2924265

<https://www.phoenixcontact.com/us/products/2924265>

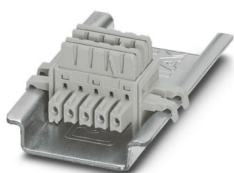
## Accessories

### ME 6,2 TBUS-2 1,5/5-ST-3,81 GY - DIN rail bus connectors

2695439

<https://www.phoenixcontact.com/us/products/2695439>

DIN rail connector (TBUS), 5-pos., for bridging the supply voltage, can be snapped onto NS 35/... DIN rail in accordance with EN 60715



---

### ME 6,2 TBUS-PR-ADAPTER - DIN rail bus connectors

1136500

<https://www.phoenixcontact.com/us/products/1136500>

Power rail adapter (ME 6,2 TBUS-PR-ADAPTER), 2-pos., enables MINI and MACX Analog modules to be adapted for supply via universal power rail UPR-03 and UPR-05.



# MACX MCR-SL-NAM-2RO-SP - Isolation amplifier



2924265

<https://www.phoenixcontact.com/us/products/2924265>

## MCR-DP - Separating plate

1430594

<https://www.phoenixcontact.com/us/products/1430594>



The partition plate is used to maintain Ex i isolating distances when Ex i and non-Ex i devices are mounted side by side on a DIN rail.

---

## TC-2D37SUB-ADIO32-2EX-P-UNI - Module carrier

2904684

<https://www.phoenixcontact.com/us/products/2904684>



Universal Termination Carrier for connecting 16 two-channel MACX Analog Ex i signal conditioners to digital or analog I/O cards, via two D-SUB connectors, 37-pos. (1:1 connection)

# MACX MCR-SL-NAM-2RO-SP - Isolation amplifier



2924265

<https://www.phoenixcontact.com/us/products/2924265>

## MPS-IH WH - Insulating sleeve

0201663

<https://www.phoenixcontact.com/us/products/0201663>

Insulating sleeve, color: white



---

## MPS-IH RD - Insulating sleeve

0201676

<https://www.phoenixcontact.com/us/products/0201676>

Insulating sleeve, color: red



# MACX MCR-SL-NAM-2RO-SP - Isolation amplifier



2924265

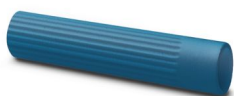
<https://www.phoenixcontact.com/us/products/2924265>

## MPS-IH BU - Insulating sleeve

0201689

<https://www.phoenixcontact.com/us/products/0201689>

Insulating sleeve, color: blue



---

## MPS-IH YE - Insulating sleeve

0201692

<https://www.phoenixcontact.com/us/products/0201692>

Insulating sleeve, color: yellow





# MACX MCR-SL-NAM-2RO-SP - Isolation amplifier



2924265

<https://www.phoenixcontact.com/us/products/2924265>

## MPS-IH GN - Insulating sleeve

0201702

<https://www.phoenixcontact.com/us/products/0201702>

Insulating sleeve, color: green



---

## MPS-IH GY - Insulating sleeve

0201728

<https://www.phoenixcontact.com/us/products/0201728>

Insulating sleeve, color: gray



# MACX MCR-SL-NAM-2RO-SP - Isolation amplifier

2924265

<https://www.phoenixcontact.com/us/products/2924265>



## MPS-IH BK - Insulating sleeve

0201731

<https://www.phoenixcontact.com/us/products/0201731>

Insulating sleeve, color: black



---

## MPS-MT - Test plug

0201744

<https://www.phoenixcontact.com/us/products/0201744>

Test plug, with solder connection up to 1 mm<sup>2</sup> conductor cross section, number of positions: 1, color: gray



# MACX MCR-SL-NAM-2RO-SP - Isolation amplifier



2924265

<https://www.phoenixcontact.com/us/products/2924265>

## UC-EMLP (11X9) - Plastic label

0819291

<https://www.phoenixcontact.com/us/products/0819291>



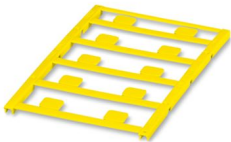
Plastic label, Sheet, white, unlabeled, can be labeled with: BLUEMARK ID COLOR, BLUEMARK ID, BLUEMARK CLED, PLOTMARK, CMS-P1-PLOTTER, mounting type: adhesive, lettering field size: 11 x 9 mm, Number of individual labels: 10

---

## UC-EMLP (11X9) YE - Plastic label

0822602

<https://www.phoenixcontact.com/us/products/0822602>



Plastic label, Sheet, yellow, unlabeled, can be labeled with: BLUEMARK ID COLOR, BLUEMARK ID, BLUEMARK CLED, PLOTMARK, CMS-P1-PLOTTER, mounting type: adhesive, lettering field size: 11 x 9 mm, Number of individual labels: 10

# MACX MCR-SL-NAM-2RO-SP - Isolation amplifier



2924265

<https://www.phoenixcontact.com/us/products/2924265>

## UC-EMLP (11X9) CUS - Plastic label

0824547

<https://www.phoenixcontact.com/us/products/0824547>

Plastic label, can be ordered: by sheet, white, labeled according to customer specifications, mounting type: adhesive, lettering field size: 11 x 9 mm



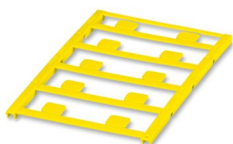
---

## UC-EMLP (11X9) YE CUS - Plastic label

0824548

<https://www.phoenixcontact.com/us/products/0824548>

Plastic label, can be ordered: by sheet, yellow, labeled according to customer specifications, mounting type: adhesive, lettering field size: 11 x 9 mm



# MACX MCR-SL-NAM-2RO-SP - Isolation amplifier



2924265

<https://www.phoenixcontact.com/us/products/2924265>

## UC-EMLP (11X9) SR - Plastic label

0828094

<https://www.phoenixcontact.com/us/products/0828094>



Plastic label, Sheet, silver, unlabeled, can be labeled with: BLUEMARK ID COLOR, BLUEMARK ID, BLUEMARK CLED, PLOTMARK, CMS-P1-PLOTTER, mounting type: adhesive, lettering field size: 11 x 9 mm, Number of individual labels: 10

---

## UC-EMLP (11X9) SR CUS - Plastic label

0828098

<https://www.phoenixcontact.com/us/products/0828098>



Plastic label, can be ordered: by sheet, silver, labeled according to customer specifications, mounting type: adhesive, lettering field size: 11 x 9 mm, Number of individual labels: 10

# MACX MCR-SL-NAM-2RO-SP - Isolation amplifier



2924265

<https://www.phoenixcontact.com/us/products/2924265>

## US-EMLP (11X9) - Plastic label

0828789

<https://www.phoenixcontact.com/us/products/0828789>



Plastic label, Card, white, unlabeled, can be labeled with: BLUEMARK ID COLOR, BLUEMARK ID, THERMOMARK PRIME, THERMOMARK CARD 2.0, THERMOMARK CARD, mounting type: adhesive, lettering field size: 11 x 9 mm, Number of individual labels: 135

---

## US-EMLP (11X9) YE - Plastic label

0828871

<https://www.phoenixcontact.com/us/products/0828871>



Plastic label, Card, yellow, unlabeled, can be labeled with: BLUEMARK ID COLOR, BLUEMARK ID, THERMOMARK PRIME, THERMOMARK CARD 2.0, THERMOMARK CARD, mounting type: adhesive, lettering field size: 11 x 9 mm, Number of individual labels: 135

# MACX MCR-SL-NAM-2RO-SP - Isolation amplifier



2924265

<https://www.phoenixcontact.com/us/products/2924265>

## US-EMLP (11X9) SR - Plastic label

0828872

<https://www.phoenixcontact.com/us/products/0828872>



Plastic label, Card, silver, unlabeled, can be labeled with: BLUEMARK ID COLOR, BLUEMARK ID, THERMOMARK PRIME, THERMOMARK CARD 2.0, THERMOMARK CARD, mounting type: adhesive, lettering field size: 11 x 9 mm, Number of individual labels: 135

---

## LS-EMLP (11X9) WH - Device marker

0831678

<https://www.phoenixcontact.com/us/products/0831678>



Device marker, Sheet, white, unlabeled, can be labeled with: TOPMARK NEO, TOPMARK LASER, mounting type: adhesive, lettering field size: 11 x 9 mm, Number of individual labels: 255

# MACX MCR-SL-NAM-2RO-SP - Isolation amplifier



2924265

<https://www.phoenixcontact.com/us/products/2924265>

## LS-EMLP (11X9) SR - Device marker

0831705

<https://www.phoenixcontact.com/us/products/0831705>

Device marker, Sheet, silver, unlabeled, can be labeled with: TOPMARK NEO, TOPMARK LASER, mounting type: adhesive, lettering field size: 11 x 9 mm, Number of individual labels: 255



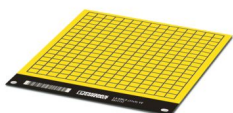
---

## LS-EMLP (11X9) YE - Device marker

0831732

<https://www.phoenixcontact.com/us/products/0831732>

Device marker, Sheet, yellow, unlabeled, can be labeled with: TOPMARK NEO, TOPMARK LASER, mounting type: adhesive, lettering field size: 11 x 9 mm, Number of individual labels: 255





# MACX MCR-SL-NAM-2RO-SP - Isolation amplifier



2924265

<https://www.phoenixcontact.com/us/products/2924265>

## MACX MCR-PTB - Power and error message module

2865625

<https://www.phoenixcontact.com/us/products/2865625>



Power and fault signaling module with screw connection, including corresponding ME 17,5 TBUS 1,5/ 5-ST-3,81 GY DIN rail connector

---

## MACX MCR-PTB-SP - Power and error message module

2924184

<https://www.phoenixcontact.com/us/products/2924184>



Power and fault signaling module with Push-in connection, including corresponding ME 17,5 TBUS 1,5/ 5-ST-3,81 GY DIN rail connector

# MACX MCR-SL-NAM-2RO-SP - Isolation amplifier



2924265

<https://www.phoenixcontact.com/us/products/2924265>

## QUINT4-SYS-PS/1AC/24DC/2.5/SC - Power supply unit

2904614

<https://www.phoenixcontact.com/us/products/2904614>



Primary-switched power supply, QUINT POWER, screw connection, DIN rail mounting, supply of devices possible via the TBUS DIN rail connector, protective coating, input: single-phase, output: 24 V DC/2.5 A

---

## D-UKK 3/5 - End cover

2770024

<https://www.phoenixcontact.com/us/products/2770024>



End cover, depth: 52 mm, width: 2.5 mm, height: 56 mm, color: gray

# MACX MCR-SL-NAM-2RO-SP - Isolation amplifier



2924265

<https://www.phoenixcontact.com/us/products/2924265>

## D-UKK 3/5 BU - End cover

2770105

<https://www.phoenixcontact.com/us/products/2770105>



End cover, depth: 62 mm, width: 2.5 mm, height: 56 mm, color: blue

---

## UKK 5-2R/NAMUR - Component terminal block

2941662

<https://www.phoenixcontact.com/us/products/2941662>



Double-level terminal block, with preassembled resistors

# MACX MCR-SL-NAM-2RO-SP - Isolation amplifier



2924265

<https://www.phoenixcontact.com/us/products/2924265>

## SZS 0,6X3,5 - Screwdriver

1205053

<https://www.phoenixcontact.com/us/products/1205053>



Actuation tool, for ST terminal blocks, insulated, also suitable for use as a bladed screwdriver, size: 0.6 x 3.5 x 100 mm, 2-component grip, with non-slip grip

---

## MACX SET-TVFKC 2-POLE - Connector set

1584383

<https://www.phoenixcontact.com/us/products/1584383>

TVFKC plug set for MACX, not Ex i devices, with 2-pos. plugs



---

Phoenix Contact 2024 © - all rights reserved

<https://www.phoenixcontact.com>

Phoenix Contact USA  
586 Fulling Mill Road  
Middletown, PA 17057, United States  
(+717) 944-1300  
[info@phoenixcon.com](mailto:info@phoenixcon.com)