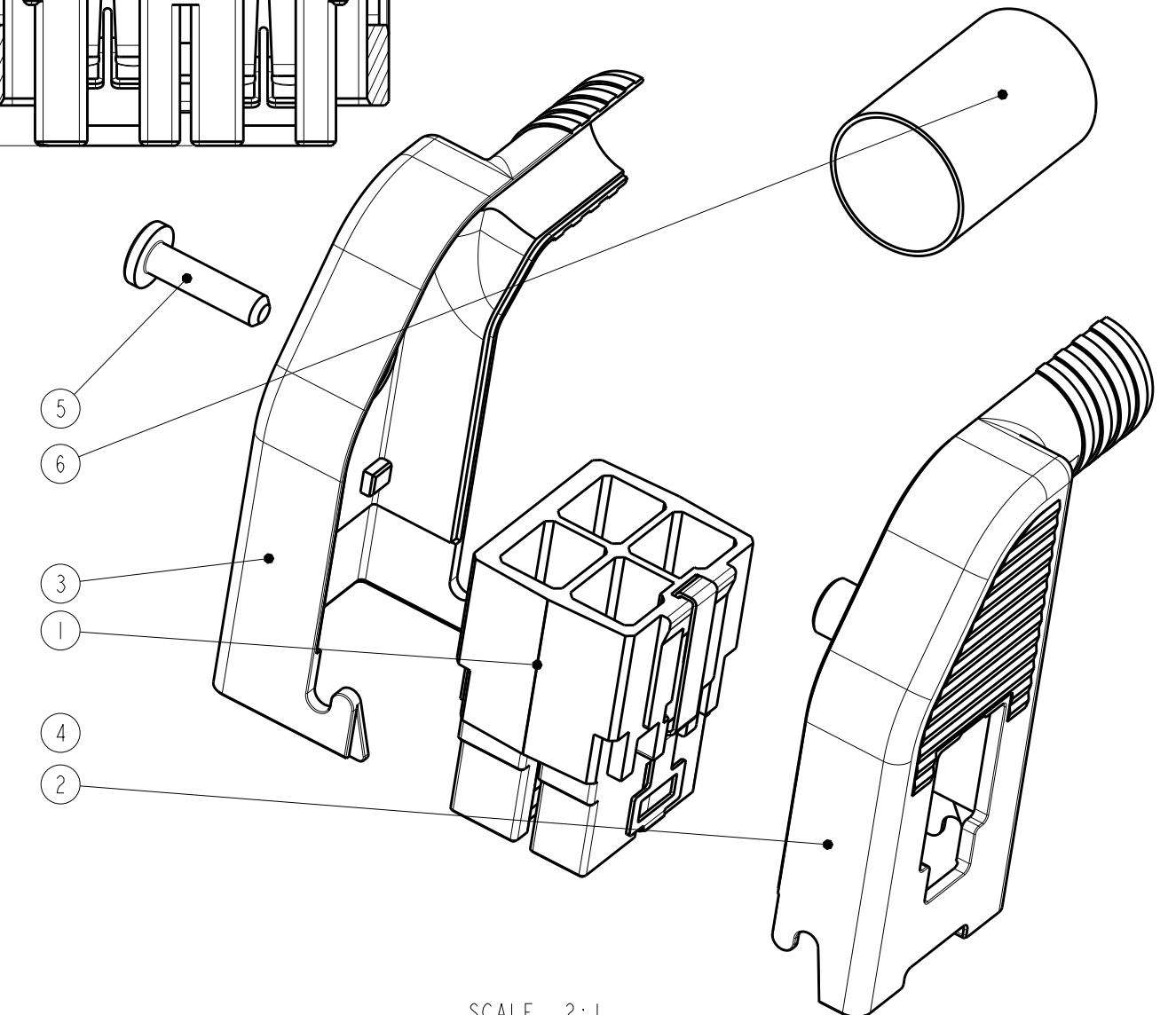
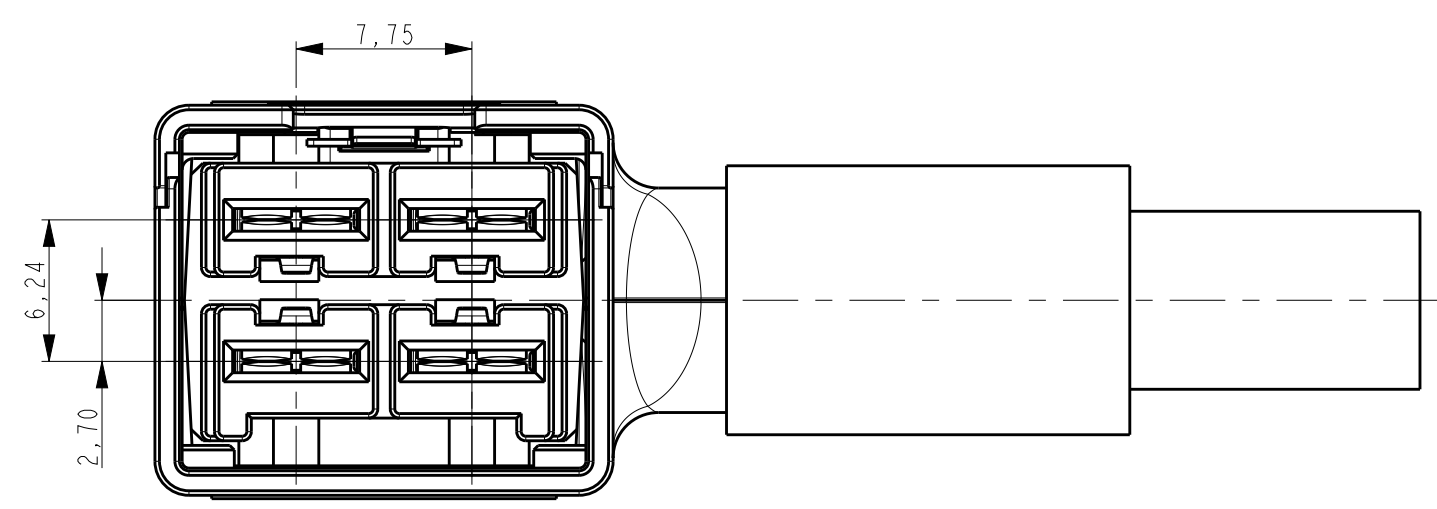
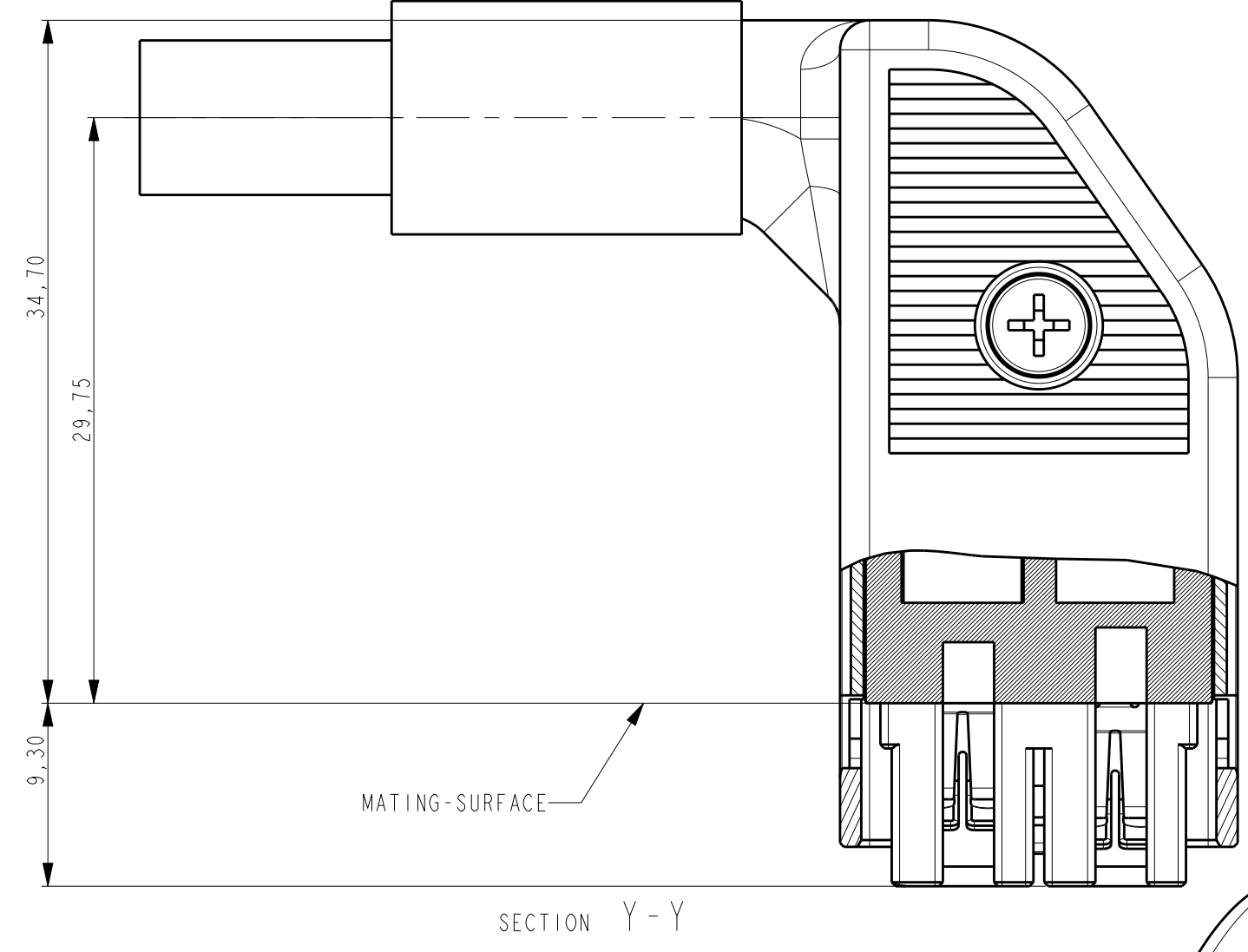
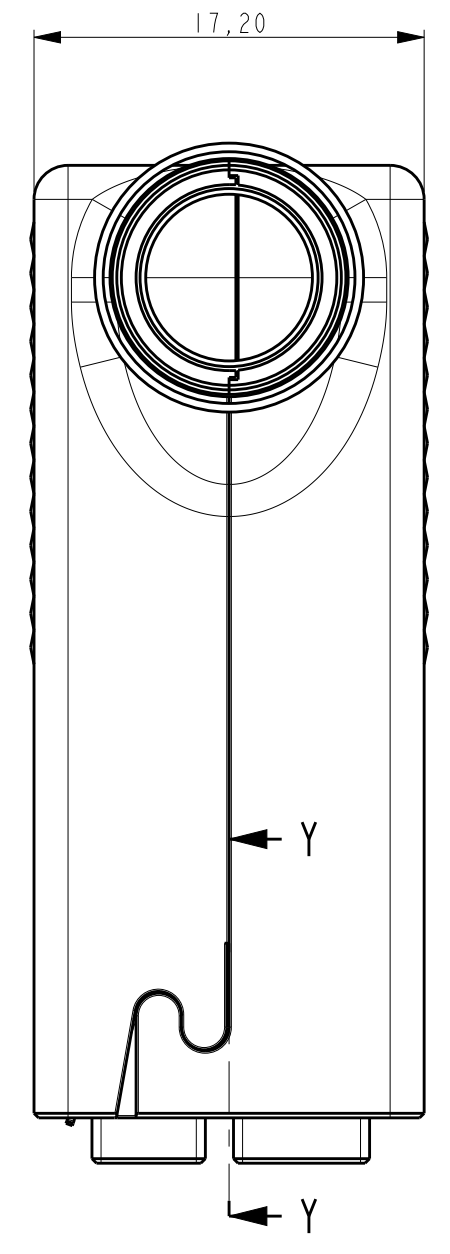
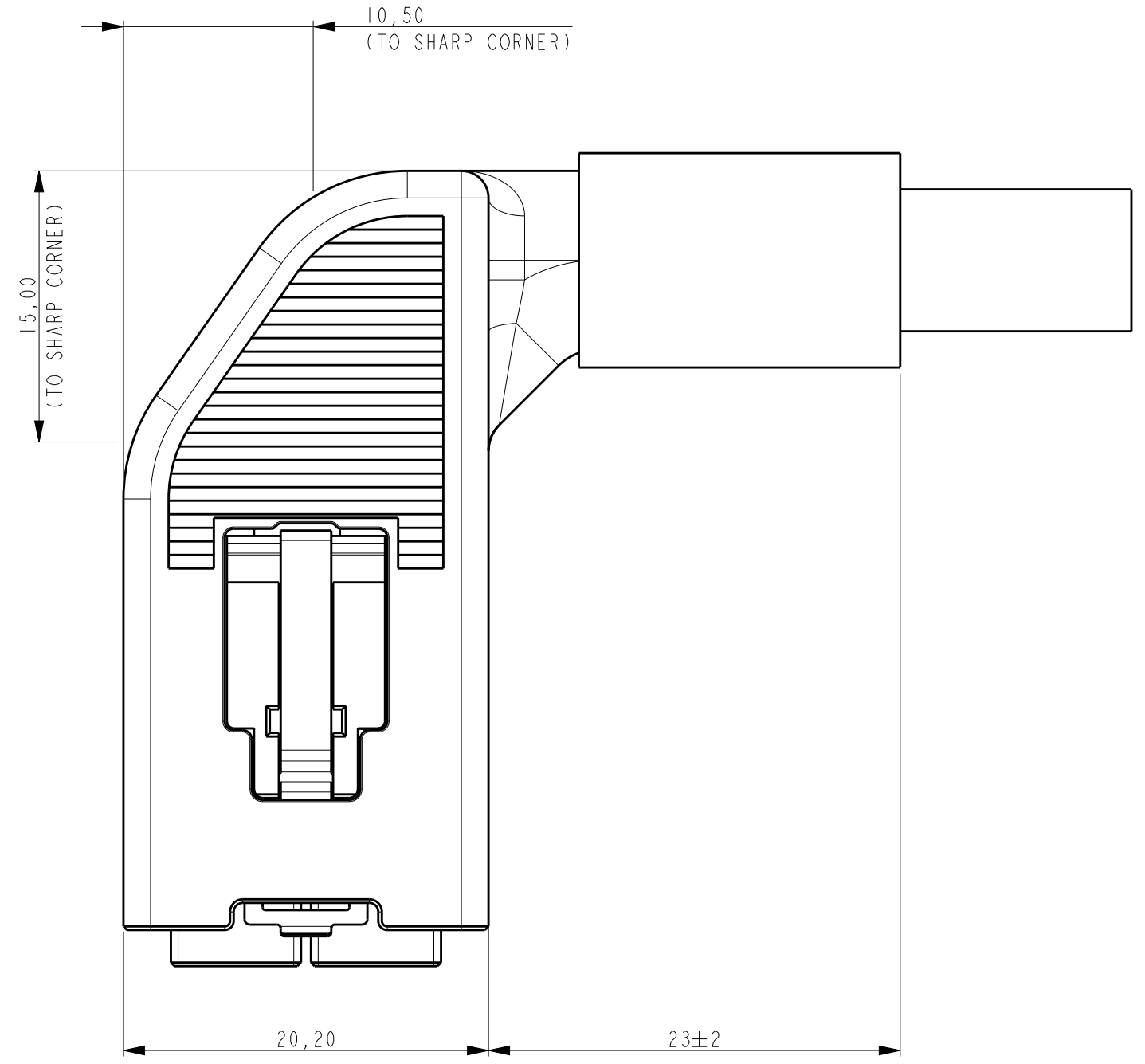


THIS DRAWING IS UNPUBLISHED. RELEASED FOR PUBLICATION
 © COPYRIGHT - BY TYCO ELECTRONICS CORPORATION. ALL RIGHTS RESERVED.

LOC		DIST		REVISIONS			
P	LTR	DESCRIPTION	DATE	DWN	APVD		
A		RELEASED PER ECR-12-015155	31OCT2012	JvdH	TdB		
B		REV PER ECO-16-014059	10JAN2017	WY	SZ		



SCALE 2:1

NOTES:
 1 USE FOR (SILVER PLATED) STANDARD POWER TIMER CONTACTS. FOR CONTACTS PARTNUMBERS SEE DWG. C-1355048 VERSION A ALLOWED MAX WIRE SIZE 14AWG.

ITEM	QUANT	DESCRIPTION	MATERIAL	FINISHING
6	1	FERRULE	COPPER	PLATING: Sn
5	1	SCREW M2,5x10	STEEL	Zn-PLATED
4	1	LATCH	STAINLESS STEEL	NOT APPLICABLE
3	1	BACK SHELL	ZINK ALLOY	PLATING: Sn OVER Ni OVER Cu
2	1	FRONT SHELL	ZINK ALLOY	PLATING: Sn OVER Ni OVER Cu
1	1	CONTACT-HOUSING	PBT 20%GF	NOT APPLICABLE

THIS DRAWING IS A CONTROLLED DOCUMENT.		DWN J Smits	TE Connectivity	
		CHK -		
DIMENSIONS: mm		APVD T de Boer	NAME ELCON Mini, 4-position shielded cable backshell kit	
		PRODUCT SPEC 108-19429	SIZE A2	
TOLERANCES UNLESS OTHERWISE SPECIFIED: 0 PLC ±0,1 1 PLC ±0,1 2 PLC ±0,1 3 PLC ± 4 PLC ± ANGLES ± FINISH ±		APPLICATION SPEC 114-32039	CAGE CODE 00779	DRAWING NO C-2173168
MATERIAL		WEIGHT	RESTRICTED TO	
		Customer Drawing	SCALE 3:1	SHEET 1 OF 1 REV B