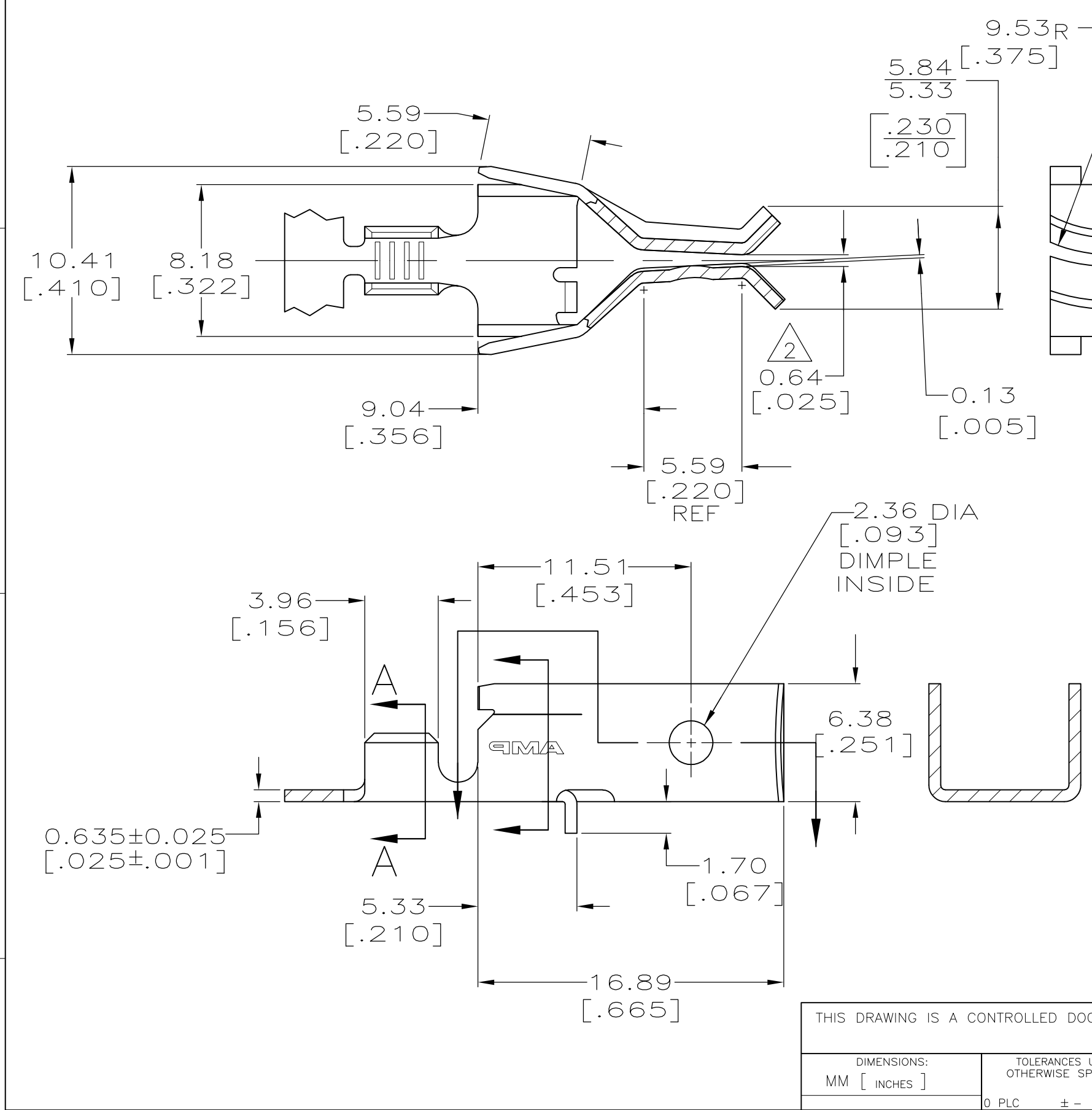
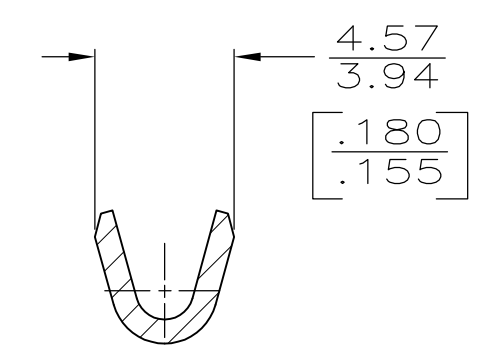


THIS DRAWING IS UNPUBLISHED. RELEASED FOR PUBLICATION
 © COPYRIGHT - By - ALL RIGHTS RESERVED.

LOC	DIST	REVISIONS					
AF	50	P	LTR	DESCRIPTION	DATE	DWN	APVD
				D1 REVISED PER ECO-14-017598	04DEC14	JR	DH



- 1 CONTINUOUS STRIP ON REEL.
- △ 2 DIMENSION NOT TO EXCEED 1.01 [.040] AFTER 6 INSERTIONS OF A MATING BLADE.
- 3 OVERLAP SPLICE USED



SECTION A-A
SCALE 5:1

0.00381 [.000150] MIN SILVER PLATE	[18-14] AWG	63863-2
0.00203 [.000080] MIN TIN PLATE	[18-14] AWG	63863-1
FINISH	WIRE RANGE	PART NO.

THIS DRAWING IS A CONTROLLED DOCUMENT.

DIMENSIONS: MM [INCHES]	TOLERANCES UNLESS OTHERWISE SPECIFIED: 0 PLC ± - 1 PLC ± - 2 PLC ± 0.25 [.010] 3 PLC ± - 4 PLC ± - ANGLES ± -	DWN 20/JUL/95 PHILLIP M. FORTNEY CHK 20/JUL/95 JEFF R. RUTH APVD 20/JUL/95 DENNIS SCHWENK	TE Connectivity	
		PRODUCT SPEC	NAME	
MATERIAL H04 PHOS BRONZE		FINISH SEE TABLE	RECEPTACLE, TWIST LOCK	
		WEIGHT -	SIZE A3	CAGE CODE 00779
		DRAWING NO C-63863		RESTRICTED TO
		CUSTOMER DRAWING		SCALE 4:1 SHEET 1 OF 1 REV D1