

1-66359-7 ✓ ACTIVE



AMP | AMP Type III+

TE Internal #: 1-66359-7

Pin Contact, Tin, Size 16 Contact Size, 18 - 14 AWG Wire Size, .8 - 2 mm² Wire Size, Crimp, Copper Nickel Alloy, Power & Signal, AMP Type III+

[View on TE.com >](#)

Connectors > Contacts > Connector Contacts



Contact Type: **Pin**

Contact Mating Area Plating Material: **Tin**

Wire Contact Termination Area Plating Material: **Tin-Lead**

Contact Retention Within Housing: **With**

Contact Size: **Size 16**

Features

Contact Features

Mating Pin Diameter	1.57 mm[.062 in]
Contact Underplating Material Thickness	1.27 µm[50 µin]
Wire Contact Termination Area Plating Thickness	2.54 µm[100 µin]
Wire Contact Termination Area Plating Material Finish	Matte
Contact Mating Area Plating Material Thickness	2.54 µm[100 µin]
Contact Orientation	Straight
Contact Underplating Material	Nickel
Contact Type	Pin
Contact Mating Area Plating Material	Tin
Wire Contact Termination Area Plating Material	Tin-Lead
Contact Retention Within Housing	With
Contact Size	Size 16
Contact Base Material	Copper Nickel Alloy
Contact Current Rating (Max)	25 A



Termination Features

Termination Method to Wire & Cable	Crimp
Product Terminates To	Wire & Cable

Mechanical Attachment

Wire Insulation Support	With
-------------------------	------

Dimensions

Compatible Insulation Diameter Range	2.03 - 2.54 mm [.08 - .1 in]
Wire Size	.8 - 2 mm ²

Usage Conditions

Operating Temperature Range	-55 - 150 °C [-67 - 302 °F]
-----------------------------	-----------------------------

Operation/Application

Circuit Application	Power & Signal
---------------------	----------------

Packaging Features

Packaging Quantity	4000
Packaging Method	Reel

Product Compliance

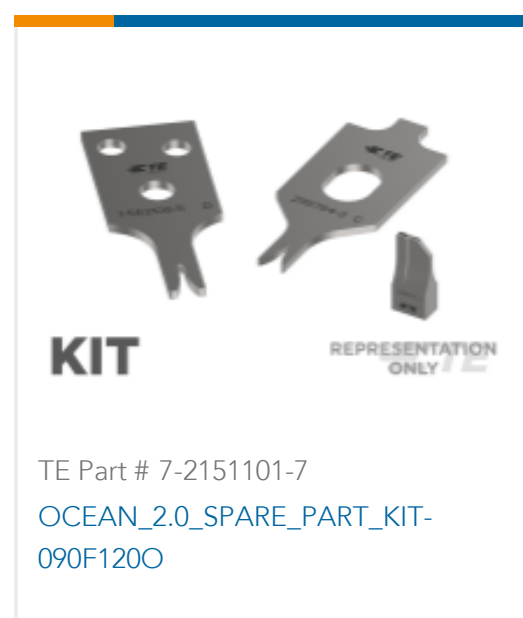
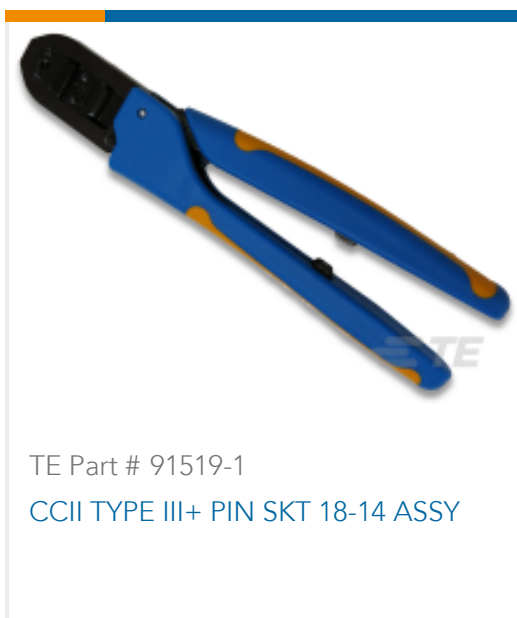
[For compliance documentation, visit the product page on TE.com>](#)

EU RoHS Directive 2011/65/EU	Not Compliant
EU ELV Directive 2000/53/EC	Compliant with Exemptions
China RoHS 2 Directive MIIT Order No 32, 2016	Restricted Materials Above Threshold
EU REACH Regulation (EC) No. 1907/2006	Current ECHA Candidate List: JAN 2024 (240) Candidate List Declared Against: JAN 2024 (240) SVHC > Threshold: Pb (13% in Component Part) Article Safe Usage Statements: Do not eat, drink or smoke when using this product. Wash thoroughly after handling. Recycle if possible and dispose of the article by following all applicable governmental regulations relevant to your geographic location.
Halogen Content	Low Halogen - Br, Cl, F, I < 900 ppm per homogenous material. Also BFR/CFR/PVC Free
Solder Process Capability	Not applicable for solder process capability

Product Compliance Disclaimer

This information is provided based on reasonable inquiry of our suppliers and represents our current actual knowledge based on the information they provided. This information is subject to change. The part numbers that TE has identified as EU RoHS compliant have a maximum concentration of 0.1% by weight in homogenous materials for lead, hexavalent chromium, mercury, PBB, PBDE, DBP, BBP, DEHP, DIBP, and 0.01% for cadmium, or qualify for an exemption to these limits as defined in the Annexes of Directive 2011/65/EU (RoHS2). Finished electrical and electronic equipment products will be CE marked as required by Directive 2011/65/EU. Components may not be CE marked. Additionally, the part numbers that TE has identified as EU ELV compliant have a maximum concentration of 0.1% by weight in homogenous materials for lead, hexavalent chromium, and mercury, and 0.01% for cadmium, or qualify for an exemption to these limits as defined in the Annexes of Directive 2000/53/EC (ELV). Regarding the REACH Regulation, the information TE provides on SVHC in articles for this part number is based on the latest European Chemicals Agency (ECHA) 'Guidance on requirements for substances in articles' posted at this URL: <https://echa.europa.eu/guidance-documents/guidance-on-reach>

Compatible Parts



Also in the Series | **AMP Type III+**

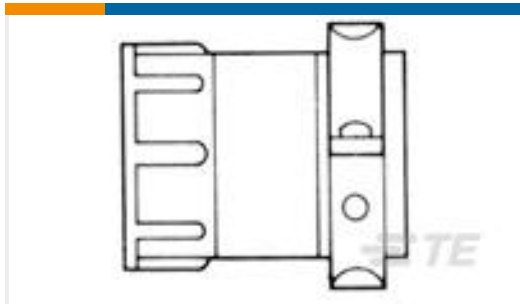


Connector Contacts(409)



Insertion & Extraction Tools(4)

Customers Also Bought



TE Part # 207008-6
CABLE CLAMP KIT, BULK PKG



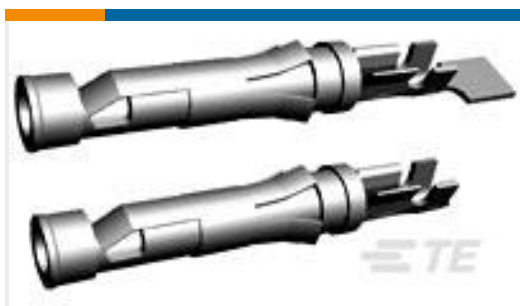
TE Part # 2-640457-0
20P MTA100 HDR ASSY SQ R/A F/L



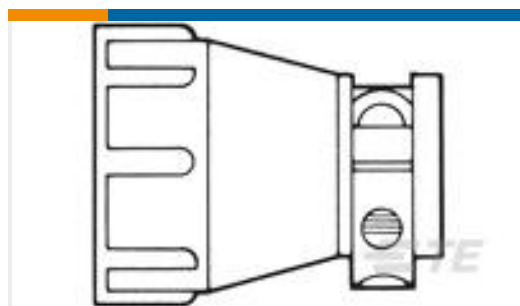
TE Part # 66098-8
III+ PIN,18-16,15AU/FL,STRIP



TE Part # 2-1375820-0
CST-100 II HOUSING 20 POS



TE Part # 1-66598-2
III+ SKT,18-14,TIN ,STRIP



TE Part # 1-206062-5
CABLE CLAMP KIT, BULK PKG



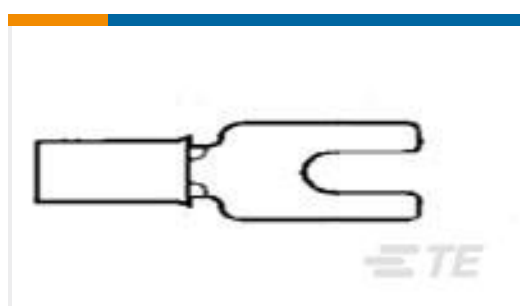
TE Part # 6-103639-9
20 MTE HDR SRST LATCH .100CL



TE Part # 2-66101-0
III+ SKT,18-16,TIN,SMPACK



TE Part # 103735-4
05 MTE HDR SRST LATCH .100CL



TE Part # 40891
SPADE TERMINAL 12-10 AWG BR

Documents

Product Drawings

III+ PIN,18-14,TIN-LEAD,STRIP

English

CAD Files

Customer View Model

ENG_CVM_CVM_1-66359-7_AG.2d_dxf.zip

English

3D PDF



3D

Customer View Model

[ENG_CVM_CVM_1-66359-7_AG.3d_igs.zip](#)

English

Customer View Model

[ENG_CVM_CVM_1-66359-7_AG.3d_stp.zip](#)

English

By downloading the CAD file I accept and agree to the [Terms and Conditions](#) of use.

Product Specifications

[Product Specification](#)

English