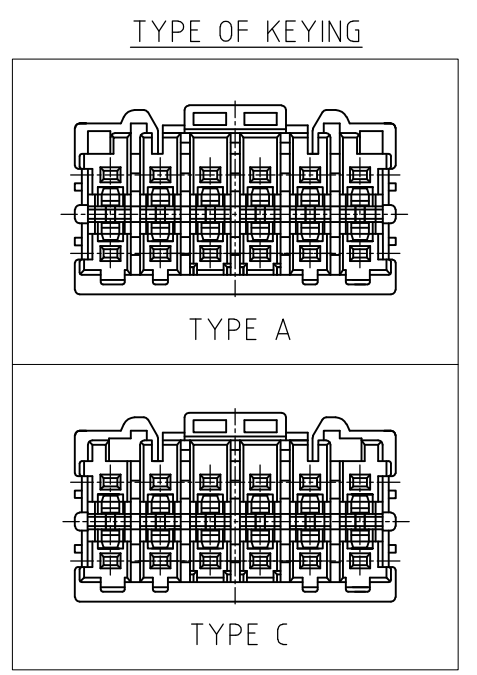
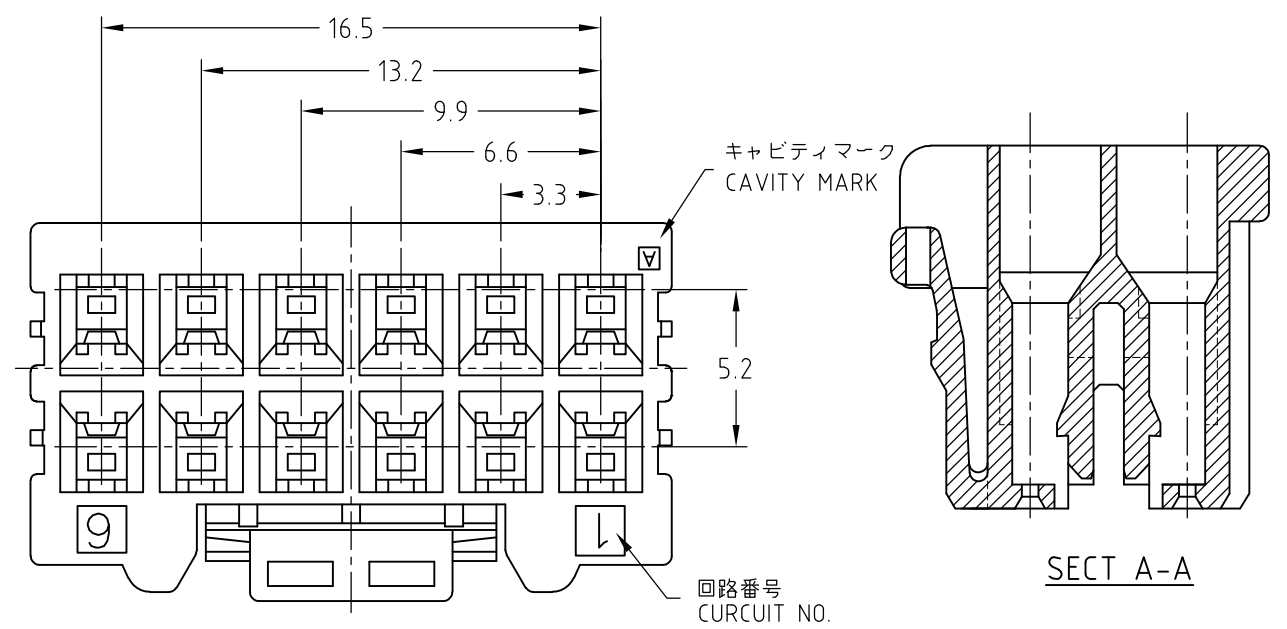


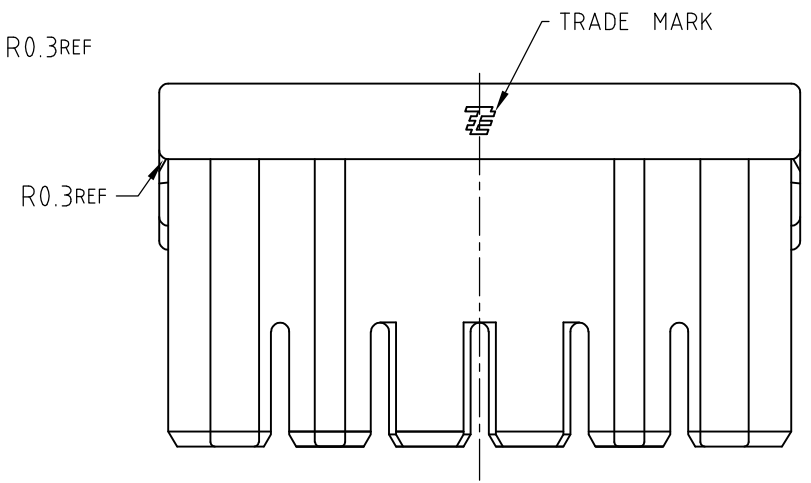
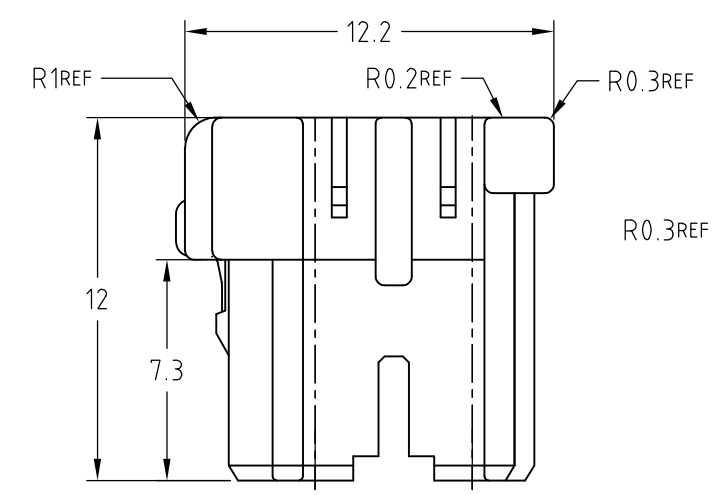
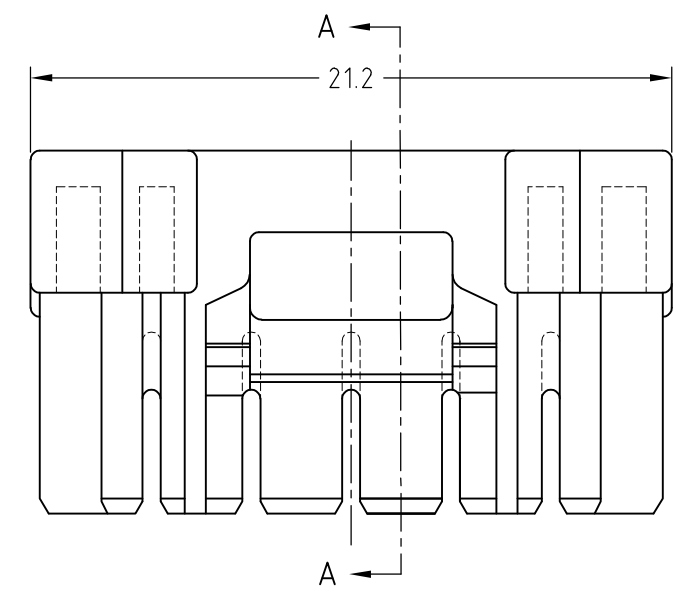
THIS DRAWING IS UNPUBLISHED. RELEASED FOR PUBLICATION  
 © COPYRIGHT BY TYCO ELECTRONICS CORPORATION. ALL RIGHTS RESERVED.

LOC	DIST	REVISIONS 変更					
J	—	P	LTR	DESCRIPTION	DATE	DWN	APVD
			B1	REVISED PER ECR-10-019980	04OCT10	HMR	TM



TABLE

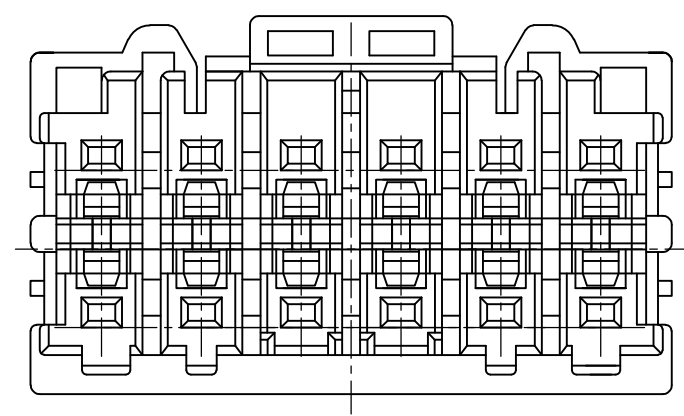
プラグハウジング (PLUG HOUSING)	6/6ナイロンガラス強化UL94V-0 (6/6 NYLON GRASS FILLED) UL94V-0
名称(NAME)	材料(MATERIAL)



注  
 ⚠ かん合相手製品型番：  
 ヘッダーアッセンブリ：SEE  
 TABLE  
 リセコンタクト：1827395-1

NOTES  
 ⚠ MATING CONN.P/N  
 HEADER ASSEMBLY:SEE TABLE  
 REC CONTACT:1827395-1

2-1871571-3	C	BLUE	2-1871570-3
* -1871571-1	A	NATURAL	1871570-1
MATING CONN.P/N ⚠	TYPE OF KEYING	COLOR	PART NUMBER



THIS DRAWING IS A CONTROLLED DOCUMENT.		DWN T.HATANO 22FEB2006	Tyco Electronics AMP K.K. Kawasaki, Japan	
DIMENSIONS: 単位：耗 mm		CHK N.YAMASAKI 22FEB2006		
TOLERANCES UNLESS OTHERWISE SPECIFIED: 一般公差		APVD N.YAMASAKI 22FEB2006	NAME 名称 GRACE INERTIA CONNECTOR 3.3 PLUG HOUSING 12POS 2ROW	
0 PLC ± 0.3 1 PLC ± 0.3 2 PLC ± 0.3 3 PLC ± 4 PLC ± ANGLES ±		PRODUCT SPEC 製品規格 108-78231	RESTRICTED TO —	
MATERIAL 材料 SEE TABLE		FINISH 仕上 —	APPLICATION SPEC 取付適用規格 114-5372	SIZE A3
		WEIGHT —	CAGE CODE 00779	DRAWING NO 番号 G-1871570
		CUSTOMER DRAWING		SCALE 尺度 4:1
				SHEET 1 OF 1
				REV B1