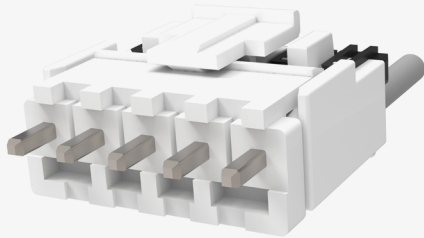


## PRELIMINARY FLYER

# GLOW WIRE TEST COMPLIANT ECONOMY POWER II (EP II) CONNECTORS



TE Connectivity (TE) offers Economy Power II (EP II) Glow Wire connectors in many different styles and configurations to meet safety and environmental requirements requested by the home appliances industry. Several connector housing and header styles and configurations are available in Glow Wire compatible material that also meets UL 94 V-0 requirements. The use of Glow Wire test compliant components may allow users to reduce the time and expense of end-product testing associated with Glow Wire ignition and Glow Wire flammability index.

### ELECTRICAL

- Voltage rating: 600 VAC
- Current rating: 11.5 A

### MECHANICAL

- Position: 2 to 12 single row wire-to-board
- Wire size: 0.33 to 1.33 mm<sup>2</sup> (22 to 16 AWG)
- Centerline: 0.156" (3.96 mm)
- Operating temperature: -55 to 105°C
- Selectively loaded headers available upon request

### MATERIALS

- Glow Wire products Compliant to Glow Wire test required by IEC/EN 60335-1 5<sup>th</sup> Edition: Household and Similar Appliances - Safety and UL 94 V-0
  - Comply with Glow Wire flammability index (GWFI) 850°C at least, according to IEC 60335-1, Glow Wire flammability test for end-products (GWEPT) 750°C No Flame, according to IEC 60335-1 and UL 94 V-0
- Contacts: Tin plated copper alloy

### KEY FEATURES

- 0.156" centerline (3.96mm)
- Lance-less terminal
- Wire size: 0.33 to 1.33 mm<sup>2</sup> (22 to 16 AWG)
- Voltage up to 600 VAC
- Current up to 11.5 A
- Housing locking latch
- Polarization tabs
- Asymmetrical terminals can only be loaded one way
- Breakaway style or discrete Terminal Position Assurance (TPA) devices
- Probe tip windows for continuity testing
- Contact lubrication
- Parts molded in various colors are available upon request
- Glow Wire products compliant to Glow Wire test required by IEC/EN 60335-1 5<sup>th</sup> Edition: Household and Similar Appliances - Safety and UL 94 V-0

### APPLICATIONS

- Household appliances
- HVAC
- Industrial machinery (e.g. control boards)
- Products can be used for global applications where compliance to IEC 60335-1 and UL 94 V-0 is required

### STANDARDS

- Product specification: [108-2297](#)
- Application specification: [114-13265](#)
- UL recognized: E28476
- VDE recognized: 40046032

# GLOW WIRE TEST COMPLIANT ECONOMY POWER II (EP II) CONNECTORS

## PART NUMBERS

Description	Header Assembly PN	Pin 1	Pin 2	Pin 3	Pin 4	Pin 5	Pin 6	Pin 7	Pin 8	Pin 9	Pin 10	Pin 11
2P Unshrouded Header Full Pin GWT	2375239-2	o	o									
3P Unshrouded Header Full Pin GWT	2375239-3	o	o	o								
4P Unshrouded Header Full Pin GWT	2375239-4	o	o	o	o							
5P Unshrouded Header Full Pin GWT	2375239-5	o	o	o	o	o						
6P Unshrouded Header Full Pin GWT	2375239-6	o	o	o	o	o	o					
7P Unshrouded Header Full Pin GWT	2375239-7	o	o	o	o	o	o	o				
8P Unshrouded Header Full Pin GWT	2375239-8	o	o	o	o	o	o	o	o			
9P Unshrouded Header Full Pin GWT	2375239-9	o	o	o	o	o	o	o	o	o		
10P Unshrouded Header Full Pin GWT	1-2375239-0	o	o	o	o	o	o	o	o	o	o	
11P Unshrouded Header Full Pin GWT	1-2375239-1	o	o	o	o	o	o	o	o	o	o	o
3P Unshrouded Header Sel Pin GWT	2375269-2	o	x	o								
5P Unshrouded Header Sel Pin GWT	2375269-3	o	x	o	x	o						
6P Unshrouded Header Sel Pin GWT	1-2375269-6	o	x	o	o	x	o					
7P Unshrouded Header Sel Pin GWT	2375269-4	o	x	o	x	o	x	o				
9P Unshrouded Header Sel Pin GWT	2375269-5	o	x	o	x	o	x	o	x	o		
11P Unshrouded Header Sel Pin GWT	2375269-6	o	x	o	x	o	x	o	x	o	x	o
2P Unshrouded Header Full Pin Non GWT	2375267-2	o	o									
3P Unshrouded Header Full Pin Non GWT	2375267-3	o	o	o								
4P Unshrouded Header Full Pin Non GWT	2375267-4	o	o	o	o							
5P Unshrouded Header Full Pin Non GWT	2375267-5	o	o	o	o	o						
6P Unshrouded Header Full Pin Non GWT	2375267-6	o	o	o	o	o	o					
7P Unshrouded Header Full Pin Non GWT	2375267-7	o	o	o	o	o	o	o				
8P Unshrouded Header Full Pin Non GWT.	2375267-8	o	o	o	o	o	o	o	o			
9P Unshrouded Header Full Pin Non GWT	2375267-9	o	o	o	o	o	o	o	o	o		
10P Unshrouded Header Full Pin Non GWT	1-2375267-0	o	o	o	o	o	o	o	o	o	o	
11P Unshrouded Header Full Pin Non GWT	1-2375267-1	o	o	o	o	o	o	o	o	o	o	o
3P Unshrouded Header Sel Pin Non GWT	2375268-2	o	x	o								
5P Unshrouded Header Sel Pin Non GWT	2375268-3	o	x	o	x	o						
7P Unshrouded Header Sel Pin Non GWT	2375268-4	o	x	o	x	o	x	o				
9P Unshrouded Header Sel Pin Non GWT	2375268-5	o	x	o	x	o	x	o	x	o		
11P Unshrouded Header Sel Pin Non GWT	2375268-6	o	x	o	x	o	x	o	x	o	x	o
2P Unshrouded Header Full Pin GWT, Boss	2384269-2	o	o									
3P Unshrouded Header Full Pin GWT, Boss	2384269-3	o	o	o								
4P Unshrouded Header Full Pin GWT, Boss	2384269-4	o	o	o	o							
5P Unshrouded Header Full Pin GWT, Boss	2384269-5	o	o	o	o	o						
6P Unshrouded Header Full Pin GWT, Boss	2384269-6	o	o	o	o	o	o					
7P Unshrouded Header Full Pin GWT, Boss	2384269-7	o	o	o	o	o	o	o				
8P Unshrouded Header Full Pin GWT, Boss	2384269-8	o	o	o	o	o	o	o	o			
9P Unshrouded Header Full Pin GWT, Boss	2384269-9	o	o	o	o	o	o	o	o	o		
10P Unshrouded Header Full Pin GWT, Boss	1-2384269-0	o	o	o	o	o	o	o	o	o	o	
11P Unshrouded Header Full Pin GWT, Boss	1-2384269-1	o	o	o	o	o	o	o	o	o	o	o

# GLOW WIRE TEST COMPLIANT ECONOMY POWER II (EP II) CONNECTORS

Description	Header Assembly PN	Pin 1	Pin 2	Pin 3	Pin 4	Pin 5	Pin 6	Pin 7	Pin 8	Pin 9	Pin 10	Pin 11
3P Unshrouded Header Sel Pin GWT, Boss	2384271-2	O	X	O								
5P Unshrouded Header Sel Pin GWT, Boss	2384271-3	O	X	O	X	O						
7P Unshrouded Header Sel Pin GWT, Boss	2384271-4	O	X	O	X	O	X	O				
9P Unshrouded Header Sel Pin GWT, Boss	2384271-5	O	X	O	X	O	X	O	X	O		
11P Unshrouded Header Sel Pin GWT, Boss	2384271-6	O	X	O	X	O	X	O	X	O	X	O
2P Unshrouded Header Full Pin Non GWT, Boss	2384273-2	O	O									
3P Unshrouded Header Full Pin Non GWT, Boss	2384273-3	O	O	O								
4P Unshrouded Header Full Pin Non GWT, Boss	2384273-4	O	O	O	O							
5P Unshrouded Header Full Pin Non GWT, Boss	2384273-5	O	O	O	O	O						
6P Unshrouded Header Full Pin Non GWT, Boss	2384273-6	O	O	O	O	O	O					
7P Unshrouded Header Full Pin Non GWT, Boss	2384273-7	O	O	O	O	O	O	O				
8P Unshrouded Header Full Pin Non GWT, Boss	2384273-8	O	O	O	O	O	O	O	O			
9P Unshrouded Header Full Pin Non GWT, Boss	2384273-9	O	O	O	O	O	O	O	O	O		
10P Unshrouded Header Full Pin Non GWT, Boss	1-2384273-0	O	O	O	O	O	O	O	O	O	O	
11P Unshrouded Header Full Pin Non GWT, Boss	1-2384273-1	O	O	O	O	O	O	O	O	O	O	O
3P Unshrouded Header Sel Pin Non GWT, Boss	2384274-2	O	X	O								
5P Unshrouded Header Sel Pin Non GWT, Boss	2384274-3	O	X	O	X	O						
7P Unshrouded Header Sel Pin Non GWT, Boss	2384274-4	O	X	O	X	O	X	O				
9P Unshrouded Header Sel Pin Non GWT, Boss	2384274-5	O	X	O	X	O	X	O	X	O		
11P Unshrouded Hdr Sel Pin Non GWT, Boss	2384274-6	O	X	O	X	O	X	O	X	O	X	O

Description	Potted Header Assembly PN	Pin 1	Pin 2	Pin 3	Pin 4	Pin 5	Pin 6	Pin 7	Pin 8
EP 3.96 potted Header Assy 2P	2367724-2	O	O						
EP 3.96 potted Header Assy 3P	2367724-3	O	O	O					
EP 3.96 potted Header Assy 4P	2367724-4	O	O	O	O				
EP 3.96 potted Header Assy 5P	2367724-5	O	O	O	O	O			
EP 3.96 potted Header Assy 6P	2367724-6	O	O	O	O	O	O		
EP 3.96 potted Header Assy 7P	2367724-7	O	O	O	O	O	O	O	
EP 3.96 potted Header Assy 8P	2367724-8	O	O	O	O	O	O	O	O
EP 3.96 potted Header Assy 3P Sel	1-2375553-3	O	X	O					
EP 3.96 potted Header Assy 5P Sel	1-2375553-5	O	X	O	X	O			
EP 3.96 potted Header Assy 7P Sel	1-2375553-7	O	X	O	X	O	X	O	
EP 3.96 potted Header Assy 2P, without boss	2374787-2	O	O						
EP 3.96 potted Header Assy 3P, without boss	2374787-3	O	O	O					
EP 3.96 potted Header Assy 4P, without boss	2374787-4	O	O	O	O				
EP 3.96 potted Header Assy 5P, without boss	2374787-5	O	O	O	O	O			
EP 3.96 potted Header Assy 6P, without boss	2374787-6	O	O	O	O	O	O		
EP 3.96 potted Header Assy 7P, without boss	2374787-7	O	O	O	O	O	O	O	
EP 3.96 potted Header Assy 8P, without boss	2374787-8	O	O	O	O	O	O	O	O
EP 3.96 potted Header Assy 3P, Sel w/out boss	1-2375558-3	O	X	O					
EP 3.96 potted Header Assy 5P, Sel w/out boss	1-2375558-5	O	X	O	X	O			
EP 3.96 potted Header Assy 7P, Sel w/out boss	1-2375558-7	O	X	O	X	O	X	O	

O: with pin contact    X: without pin contact

## GLOW WIRE TEST COMPLIANT ECONOMY POWER II (EP II) CONNECTORS

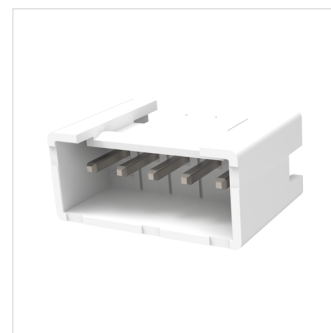
Description	Plug & Contact P/N	2P	3P	4P	5P	6P	7P	8P	9P	10P	11P	12P
EP II plug housing, GWT	*-2371377-*	-2	-3	-4	-5	-6	-7	-8	-9	1--0	1--1	1--2
EP II plug housing NON-GWT	*-2377130-*	-2	-3	-4	-5	-6	-7	-8	-9	1--0	1--1	1--2
EP II 3.96 TPA, UL V0, GWT,	*-2132782-*	-	-	-	-	-	-	-	-	-	-	1--2
EP II 3.96 TPA, UL V0, GWT, 0.156 pitch	*-1744544-*	-2	-3	-4	-5	-6	-7	-8	-9	1--0	1--1	
EP-II CONTACT LANCELESS, 22-18	2377991-1	-	-	-	-	-	-	-	-	-	-	-
EP-II CONTACT LANCELESS, 20-16	2377997-1	-	-	-	-	-	-	-	-	-	-	-



TPA



Socket Contact



Potted Header Assembly



Plug Housing



Unshrouded Header Assembly

### te.com

TE Connectivity, TE connectivity (logo) and EVERY CONNECTION COUNTS are trademarks owned or licensed by the TE Connectivity Ltd. family of companies. All other logos, products and/or company names referred to herein might be trademarks of their respective owners.

While TE has made every reasonable effort to ensure the accuracy of the information in this brochure, TE does not guarantee that it is error-free, nor does TE make any other representation, warranty or guarantee that the information is accurate, correct, reliable or current. TE reserves the right to make any adjustments to the information contained herein at any time without notice. TE expressly disclaims all implied warranties regarding the information contained herein, including, but not limited to, any implied warranties of merchantability or fitness for a particular purpose. The dimensions in this catalog are for reference purposes only and are subject to change without notice. Specifications are subject to change without notice. Consult TE for the latest dimensions and design specifications.

© 2022 TE Connectivity. All Rights Reserved.

07/22